

The Talon Spacers

Talon Spacers

In our Talon Hinged Clip Range we also offer Spacers. Our Standard Spacer creates a clearance from the fixing surface by fitting to the base of all Talon Hinged Clips, this adds a 13mm clearance. Link Spacers are similar but fit between two Talon Hinged Clips setting them a standard distance apart.

Colours & sizes

Standard Spacers (Universal Spacer)

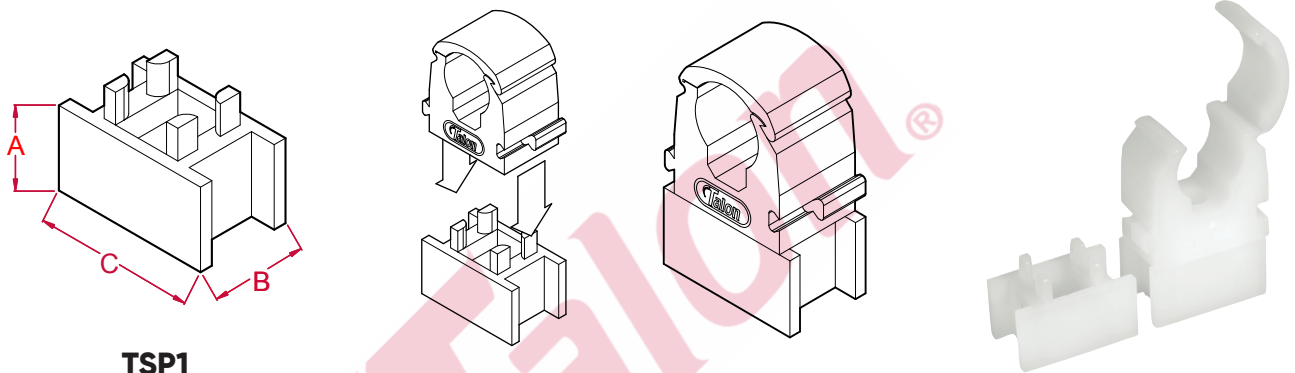


Link Spacers



Standard Spacer (Universal Spacer)

Compatible only with Talon Hinged and Open Clips.



TSP1

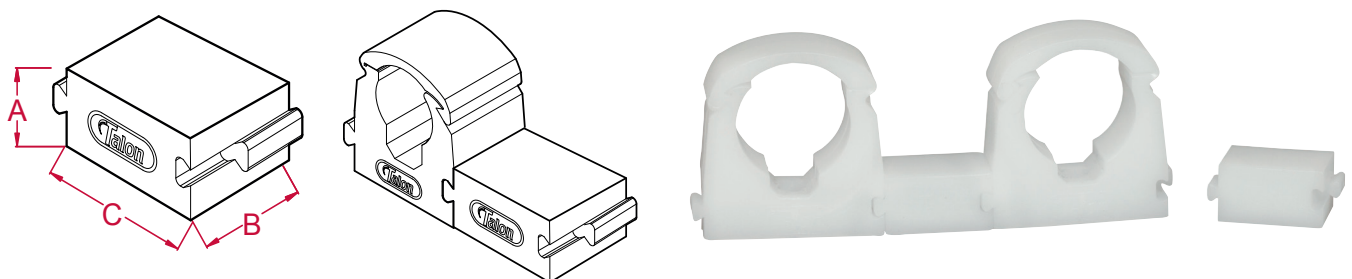
Standard Spacer

A: 13mm (wall clearance)

B: 15mm **C:** 25mm

Link Spacer

Compatible only with Talon Hinged Clips.



TSPL

Link Spacer

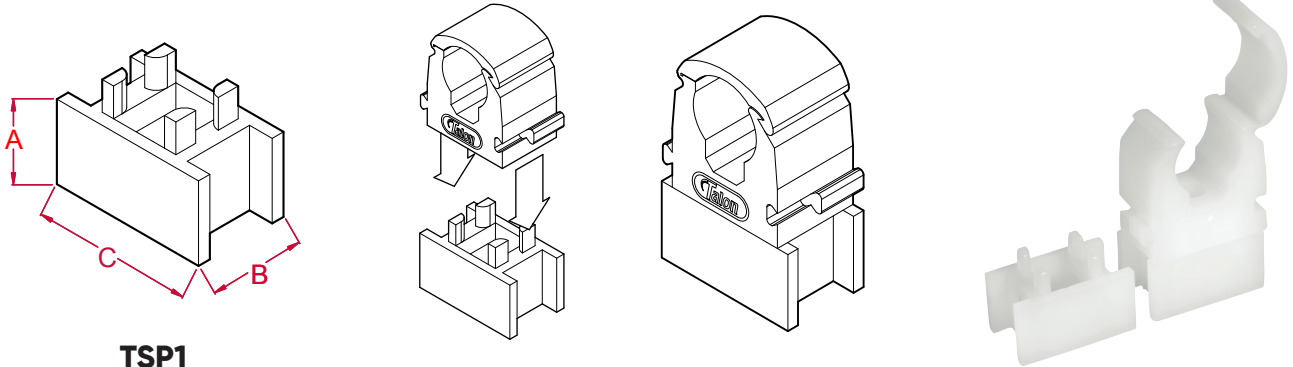
A: TBCmm **B:** TBCmm

C: TBCmm

How to Talon Standard Spacers

Using a Talon Standard Spacer (Universal Spacer)

Compatible only with Talon Hinged and Open Clips.

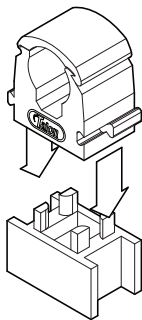


TSP1

Standard Spacer

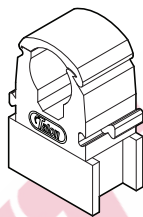
A: 13mm (wall clearance)

B: 15mm **C:** 25mm



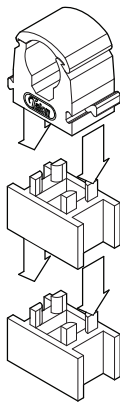
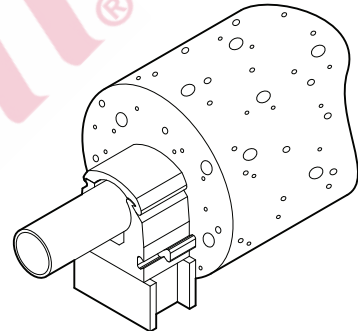
Step 1

Slots into the Talon Hinged Clip base.



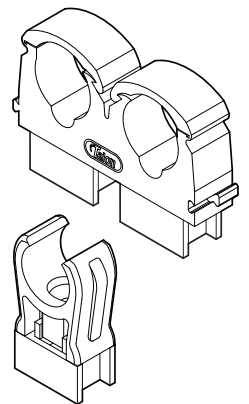
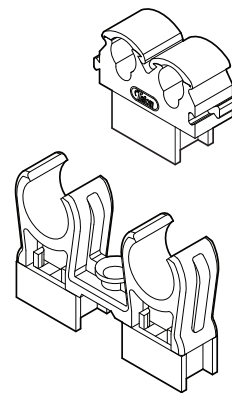
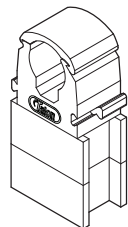
Step 2

Ideal for installations where pipe insulation is required.



Step 3

Stack multiple spacers for greater wall clearance.



Step 4

Compatible with all Talon Hinged and Open Clips.