

PRODUCT
CATALOGUE

2021 - 2022



wirquin

PLUMBING - SANITARYWARE

wirquin

PLUMBING - SANITARYWARE

WIRQUIN LTD

Unit 3, Alpha Court, Capitol Park, Thorne, DN8 5TZ - UK
T: +44(0) 333 222 4488 | Email: sales@wirquin.co.uk



www.wirquin.co.uk



CONTENTS

About us.....	4
Services.....	5
Quality	6

Product Range:

TOILET SEATS.....	9
Modufix	12
Universal Shape.....	13
D-Shape.....	27
Special Needs	30
Spares & Accessories	
FLUSHING	41
Flush Valves	43
Siphons.....	47
Inlet Valves.....	50
Urinal Flushing.....	54
Spares & Accessories	56
CISTERNS	57
Concealed Cisterns	58
Exposed Cisterns.....	66
Spares & Accessories	71
FRAMES	77
Chrono	78
Initio	80
2 in 1.....	84
Push Plates.....	85

WETROOMS.....	87
Venisio Slim.....	88
Venisio Expert.....	90

SHOWER.....	93
Shower Waste 90	95
Shower Waste 50	99
Flush Grated	100
Shower Tray Feet	100

BATH	101
Cable Operated.....	102
Quick Clac & Rotary.....	104
Plug & Chain	105
Wastes & Traps.....	107

BASIN	109
Waste and Trap in one.....	110
Wastes.....	112
Traps.....	117

SINK.....	123
Bottle Traps.....	124
Space Saving Traps.....	128
Combination Wastes	130
Basket Strainers	139
Belfast Sink Wastes	132

WASTES SPARES & ACCESSORIES	133
Plug & Chains.....	134
Adaptors & Backnuts.....	136
Waste Connectors.....	136
Shower Tray Feet	137

WASTE, PIPE & PAN CONNECTORS.....	139
Jollyflex Extendable	140
Jollyflex Flexible.....	140
Rigid	141
Short Connectors.....	142
Magicflex®	143
Waste Connectors.....	145

BLACK TOUCH COLLECTION.....	147
Wetroom.....	148
Shower	149
Basin	150
Accessories.....	152

A FRENCH GROUP WITH INTERNATIONAL LOCATIONS



1977

CREATION OF THE FIRST
MANUFACTURING UNIT



10

SUBSIDIARIES



5

PRODUCTION
SITES



1400

PEOPLE AROUND
THE WORLD



INNOVATION AT THE HEART OF WIRQUIN'S DNA

Innovation is at the heart of all projects undertaken by Wirquin. Many of our products have gone on to win numerous awards, become best sellers, and are often imitated by competition.

The history of Wirquin is that of creation, forward thinking, development, innovation but all of this would not be enough without the solid foundation of committed people behind the brand.

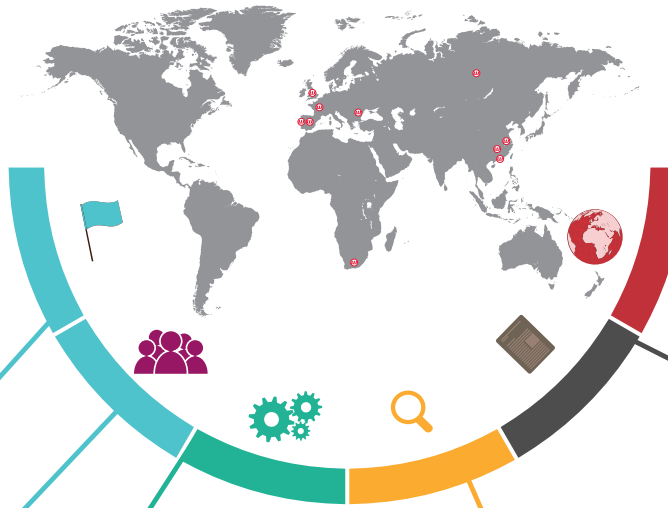
ABOUT US

AN INNOVATIVE, FAMILY OWNED INTERNATIONAL GROUP WITH OVER 40 YEARS OF EXPERTISE IN PLUMBING AND SANITARYWARE.

Innovation has always been key to our group's growth with a focus on exploration, invention and progress. This process was sparked by its founder's inspirational energy. In the late 60' Henry Wirquin et Daniel Le Coënt had the innovative idea of manufacturing plastic flushing mechanisms : the breakthrough for this trailblazing concept came in 1972 with the opening of a production site in Carquefou on the outskirts of Nantes in France.

The Wirquin company was set up in 1977 and ever since Daniel Le Coënt's creativity has driven it, enabling it to continually progress both in France and around the world. This upward trajectory continues today thanks to our culture of innovation and the expertise of our 1,200 talents, our 6 factories and 10 subsidiaries. Today Wirquin's innovative award winning products are sold in more than 50 countries worldwide.

In 2017, Daniel Le Coënt handed over the company to his 3 sons Anthony, Grégory and Gwenhael. Since 2018, Grégory Le Coënt is managing the Wirquin Group, ensuring the continuity of the company's development.



10 subsidiaries of which 5 factories
Commercial presence in 60 countries
1400 employees
5 130 € million turnover in 2019
percent of annual turnover invested in research and development

SANITARY EQUIPMENT MANUFACTURER

Based in Thorne near Doncaster, Wirquin Ltd operates from a 54,000 sqft warehouse facility allowing a strong stock portfolio across our wide range of products

UK - WIRQUIN LTD



CELMAC

Wirquin Celmac produces over one million toilet seats per year. Celmac has produced toilet seats since 1890 and is historically renowned for the 1930s black crescent school seat with the gap in the front (Crescent) as well as for setting the British Standard with the BS1254 Type 1 (Sonata) and the BS1254 Type 2 (Emerald) which are still manufactured today. Alongside the more traditional designs, Celmac also offers contemporary seat designs with a choice of hinge types to suit all requirements whether it be plastic, stainless steel, top fix, quick release, soft close and so on.

MACDEE

Wirquin Macdee provides installers with a wide range of flushing mechanisms, frames, cisterns, wastes, traps, connectors, wetroom solutions and accessories. It's world renowned products are designed and produced with the installer and end user in mind - ensuring they are quick and easy to install, cost effective, robust, reliable and guaranteed to last. A full range of flushing valves, inlet valves, siphons and kits are WRAS approved and meet, if not exceed, British Standards and customers' requirements to save water and money.

INTERNATIONAL GROUP

CERTIFICATIONS

ISO9001
Quality Management



ISO14001
Environmental Management



- ▶ Toilet Seats
- ▶ Flushing
- ▶ Frames
- ▶ Cisterns
- ▶ Wetrooms
- ▶ Shower wastes
- ▶ Bath wastes
- ▶ Basin wastes
- ▶ Sink wastes
- ▶ WC Pan connectors

TRUSTED BRANDS

WIDE RANGE OF PRODUCTS



CUSTOMER SERVICE

Contact Details:

Telephone: +44 (0)333 222 4488
Fax: +44 (0)130 231 2251
Email: sales@wirquin.co.uk | aftersales@wirquin.co.uk
www.wirquin.co.uk

WIRQUIN LTD; Unit 3, Alpha Court, Capitol Park, Thorne, DN8 5TZ - UK

Wirquin works closely with customers of all sizes from distributors (OEM, trade, export, DIY, retail) to installers and the end user. Every customer is offered tailored product knowledge, technical advice, installation solutions, training, experience, innovation and great customer support throughout each and every project.

National Sales Team



Products can be quickly and easily ordered through our dedicated UK Sales Team by telephone, EDI or email, or For your nearest Regional Business Development Manager, please contact the Sales Team using the contact details above.

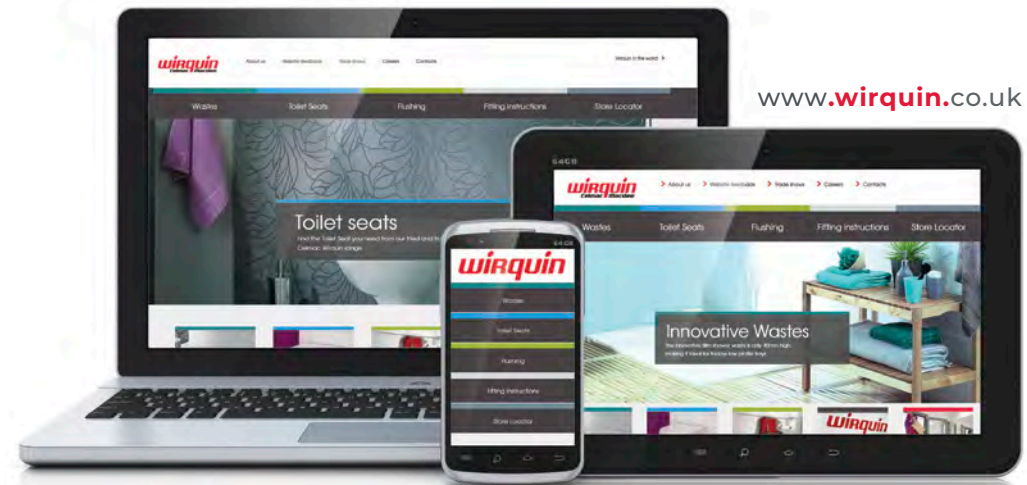
Technical Support and After Sales Team

Our Technical Support and After Sales teams can assist with specification choices, as well as regularity compliance and installation advice. We will get back to you within 24 business hours.

Minimum Order and delivery

For the UK mainland, please note that there is a minimum order value of £150 carriage paid to any one delivery point. Certain products can be ordered in pallet quantities.

- Technical information
- Easy product selection
- Installation videos
- Supplier locator
- Press & latest news
- Social media
- Latest vacancies



-  WirquinLtd
-  WirquinLtd
-  WirquinLtd
-  WirquinLtd UK

INNOVATIONS & QUALITY

Inventors of the dual flush toilet mechanism, our history has been built on the creative force of ideas.

Building on this tradition of creativity, we are committed to a world where hygiene and health are accessible to all, while helping to fight against the climate emergency.

Already committed to ensuring that our activity has a positive impact on the environment, we are accelerating on this path.

Responsible development, in harmony with a corporate citizen approach, will be a lever for innovation, progress and profitable growth. We want to be proud of our development.

Quality

Because Wirquin is committed to quality, our products and customer relations are made to last.

With thorough product testing being critical to ensure problem-free installation and use, Wirquin recently invested in a 100m2 new laboratory with a team of 12 technicians.

Wirquin products come with a:

- > 2-year
- > 5-year
- > or 10-year guarantee

WIRQUIN Ltd Has been certified ISO9001 for more than 15 years

Through rigorous analysis of our management system, this approach ensures the quality of the processes we have implemented. The objective of ISO9001 is to increase customer satisfaction, enabling us to provide a level of quality that corresponds to their needs and requirements.



Celebrating our fourth consecutive win at the Kitchen, Bedroom & Bathroom conference for innovation in 2020.



ENVIRONMENTAL & CORPORATE

Our mission

PROVIDE SMART AND SUSTAINABLE SOLUTIONS FOR BETTER LIVING.

Our strength lies in our ability to anticipate customers' requirements and create innovative plumbing solutions and sanitaryware that make users' lives easier and help professionals and installers work more effectively. Our innovations, our products, our services, our solutions are designed to satisfy our customers, improve comfort & hygiene but also limit our environmental impact.

Smart For Good

Our promise

At WIRQUIN, we are creators of products and solutions directly inspired by daily experience in the bathroom and the kitchen: what do you need? What are you missing? Whether you are a user, installer, DIYer or professional...

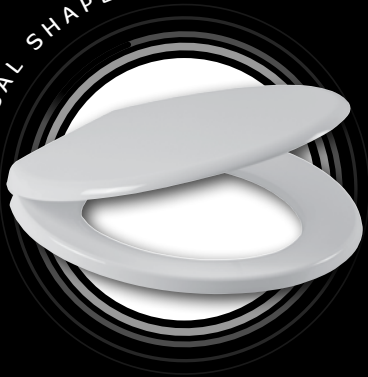
We observe you and imagine these details that change everything! Our ingenuity combined with our common sense allows us to see things differently and imagine the products of tomorrow.

WIRQUIN products are designed to improve your life: maximize ease of use, save space, minimize installation time and maintenance, and thus promote access to comfort and hygiene. But they are also designed to save resources and reduce our ecological footprint.

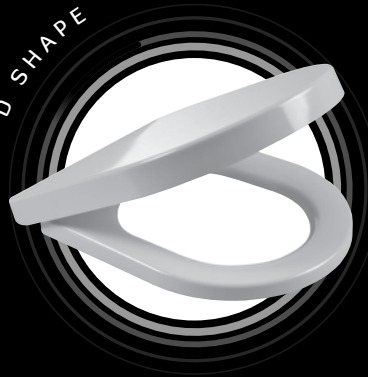


TOILET SEATS

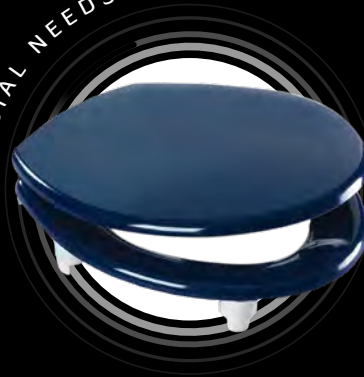
UNIVERSAL SHAPE



D SHAPE



SPECIAL NEEDS



wirquin

HOW TO SELECT YOUR PERFECT WIRQUIN TOILET SEAT

1 - APPLICATION

	Application	Assets
THERMOSET	<p>HIGH TRAFFIC PUBLIC PLACES COST EFFECTIVE EVERYDAY USE</p>	<p>Hygienic: Naturally anti-bacterial Scratch, UV & chemical resistant Resilient: Extremely strong & durable</p>
THERMOPLASTIC	<p>HIGH TRAFFIC COST EFFECTIVE EVERYDAY USE</p>	<p>Shatterproof 100% recyclable</p>
MOULDWOOD	<p>EVERYDAY USE</p>	<p>Heavy weight Gloss finish</p>

2 - PAN SHAPE AND SIZE

> IDENTIFY YOUR PAN SHAPE



Traditional

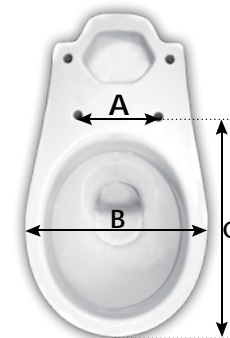


D-Shape



Bespoke

> CHECK DIMENSIONS OF THE SEAT AND PAN



- A: Distance between the middle of the 2 holes in the pan
- B: Width of the pan
- C: Projection from the middle of the 2 holes up to the front of the pan.

3 - HINGE TYPE



BOTTOM FIX

Bottom fixing is a traditional type of fitting where the underside of the mounting holes are accessible to allow the tightening of the hinge fixings.



TOP FIX

Top fixing is required when there is a limited/no access to the underside of the hinge mounting holes (blind hole pans).



QUICK RELEASE

Quick release for easy removal of the seat without tools, enabling thorough cleaning for maximum hygiene



SOFT CLOSE

Soft close incorporating specialist dampers for a gentle, quiet closing action, offering added safety. No more trapped fingers.



LOCK PLUS

Lock + is a clever innovation that stops seat movement by filling the gap between the bolt and the pan.
Lock plus is included as standard with the Modufix range.

PAN MATRIX

> DISCOVER OUR PAN MATRIX ON OUR WEBSITE

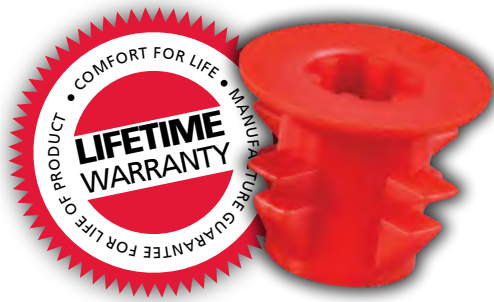


www.wirquin.co.uk

1. SELECT YOUR MANUFACTURER
2. SELECT YOUR SUITE
3. FIND YOUR MATCHING SEAT



Melody toilet seat
with Ideal Standard (Sandringham 21)



GAP BETWEEN THE PAN AND BOLT LEADS TO A LOOSE SEAT



LOCK + FILLS THE GAP, PREVENTING MOVEMENT

► easy to install

► fits all pan types

► can be fitted & unfitted as many times as required

STANDARD CLOSE RANGE
Packed by 10's, individually shrink wrapped, cost effective options for contracts

NEON (20719017) Full details page 14
 0,9 kg
Toilet seat and sandwich cover Sold by 10's
INTERNATIONAL (20722783) Page 14
 1,0 kg
Toilet seat and sandwich cover Sold by 10's

UNIVERSAL SHAPE
Choice of hinges. Ideal for specifications

FLAMENCO (20120361)	FLAMENCO (20120362)	FLAMENCO (20120363)
Full details page 16		
 1,3 kg	 1,3 kg	 1,3 kg
Toilet seat and sandwich cover, bottom fix plastic hinge	Toilet seat and sandwich cover, bottom fix stainless steel hinge	Toilet seat and sandwich cover, top fix stainless steel hinge
MELODY (20120349)	MELODY (20120350)	MELODY (20120351)
Full details page 16		
 1,3 kg	 1,3 kg	 1,3 kg
Toilet seat and sandwich cover, bottom fix plastic hinge	Toilet seat and sandwich cover, bottom fix stainless steel hinge	Toilet seat and sandwich cover, top fix stainless steel hinge

SOFT CLOSE RANGE
Soft close and Top fix options using 304 grade stainless steel hinges

FUSION (20120354) Full details page 18	MADRIDIO (20120262) Full details page 21
 1,5 kg	 2,0 kg
Toilet seat and fully wrap over cover	Toilet seat and semi wrap over cover
VIP (20120357) Full details page 21	MAESTRO - D-SHAPE (20120360) Full details page 29
 2,3 kg	 2,3 kg
Toilet seat and sandwich cover	Toilet seat and semi wrap over cover

modufix[®]

> 5 HINGE POSSIBILITIES!



UPGRADE
your
SALES



1 - CHOOSE YOUR SEAT

Description	UNIVERSAL HD TS 1	UNIVERSAL MD TS 1	UNIVERSAL MD PP 1
Reference	20120338	20120339	20120347
EAN code			
Packaging	Individually boxed	Individually boxed	Individually boxed
Multiples / Pack	05 per outer / 90 per pallet	05 per outer / 90 per pallet	05 per outer / 90 per pallet
Weight	2,1 kg	1,3 kg	1,3 kg
Hinge Feature	Bottom	Bottom	Bottom
Hinge material	Plastic	Plastic	Plastic
Features and benefits	<ul style="list-style-type: none"> Ideal for heavy duty use Includes a FOC plastic hinge 	<ul style="list-style-type: none"> Ideal for medium duty use Includes a FOC plastic hinge 	<ul style="list-style-type: none"> Ideal for medium duty use Includes a FOC plastic hinge
	<p>380mm</p> <p>410-450mm</p> <p>289mm</p> <p>235mm</p> <p>135-175mm</p>	<p>357mm</p> <p>405-420mm</p> <p>274mm</p> <p>228mm</p> <p>145-185mm</p>	<p>380mm</p> <p>438-442mm</p> <p>277mm</p> <p>236mm</p> <p>130-180mm</p>

2 - CHOOSE YOUR HINGE

20120342	<ul style="list-style-type: none"> Soft close Quick release Top fix Adjustable Lock +
20120343	<ul style="list-style-type: none"> Soft close Quick release Top fix Adjustable Lock +
20120344	<ul style="list-style-type: none"> Top fix Adjustable 304 Stainless steel Lock +
20120345	<ul style="list-style-type: none"> Bottom fix Adjustable 304 Stainless steel Lock +

UNIVERSAL SHAPE

TOILET SEATS



DESCRIPTION	WEIGHT (KG)	PAGE NUMBER
NEON	0,9	14
INTERNATIONAL	1,0	14
CALYPSO	1,3	15
FLAMENCO	1,3	16
MELODY	1,3	16
SAPPHIRE	1,3	17
FIRST	1,7	18
FUSION	1,7	18
EMERALD	1,8	19
TANGO	1,7	19
SAXON	1,6	20
MADRIDIO	2,1	21
VIP	2,3	21
SONATA	2,5	22 + 23
CAVALCADE	3,5	24
WOODY PARAMOUNT	2,7	25
WOODY	2,5	25
WOODY LUX	3,5	26

› OUR SEATS FIT MOST STANDARD PANS AND COME IN A CHOICE OF COVERS INCLUDING DISHED, DOMED OR FLAT DESIGNS.



► holds the seat in place!

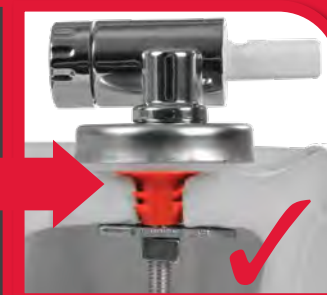
- › SECURE YOUR SEAT
- › STOP SEAT MOVEMENT
- › INCREASE SEAT LIFESPAN



STOP SEAT MOVEMENT





BEFORE
GAP BETWEEN THE
PAN AND BOLT
LEADS TO A LOOSE
SEAT



AFTER
LOCK +
FILLS THE GAP,
PREVENTING
MOVEMENT

NOW AVAILABLE AS A SPARE

Please note, you should refer to individual seat pages to consider if LOCK+ is compatible. LOCK+ is only compatible when specified and we do not guarantee the fit outside of the specifications.

DESCRIPTION	REFERENCE	MULTIPLE	APPLICATION
 Red LOCK+	20120454	15 pairs per bag	6mm Ø bolts
 White LOCK+	20120455	15 pairs per bag	8mm Ø bolts

**MODUFIX
TOILET SEATS**


**UNIVERSAL SHAPE
TOILET SEATS**

**D- SHAPE
TOILET SEATS**

**SPECIAL NEEDS
TOILET SEATS**

SPARES & ACCESSORIES

SEAT NEON

Description	WHITE SEAT + COVER	
Reference	20719017	
EAN code	5017134130911	
Packaging	Individually shrink wrapped and boxed by 10	
Multiples / Pack	10 per box / 180 per pallet	
Weight	0,9 kg	
Hinge Feature	Bottom Fix	
Hinge material	Plastic	
		
Features and benefits	<ul style="list-style-type: none"> • Material: Thermoplastic • Shatterproof and 100% recyclable material • Lightweight: cost effective 	

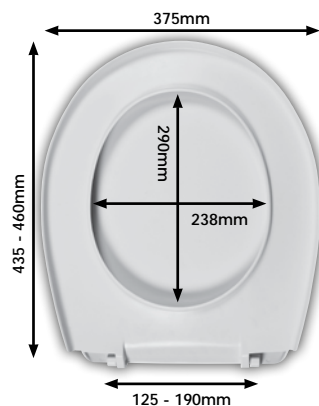


DIAGRAM - 20719017
Full dimensional details per hinge p37



SEAT INTERNATIONAL

Description	WHITE SEAT + COVER		BLACK SEAT + COVER
Reference	SNL11WH	20722783	SNL11BL
EAN code	5017134116649	3375537226672	5017134117011
Packaging	Individually boxed	Individually shrink wrapped + boxed by 10	Individually boxed
Multiples / Pack	05/100	10/180	05/100
Weight	1,0 kg		
Hinge Feature	Bottom Fix		
Hinge material	Plastic		
			
Features and benefits	<ul style="list-style-type: none"> • Material: Thermoplastic • Shatterproof and 100% recyclable material • Ideal for renovating work 		

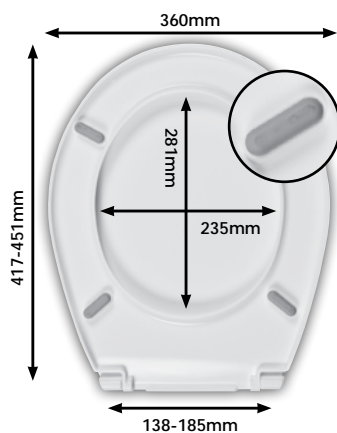


DIAGRAM - SNL11WH
Full dimensional details per hinge p37



SEAT

CALYPSO

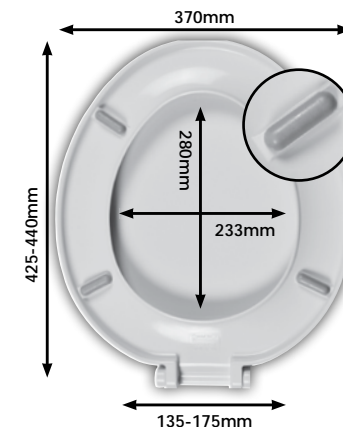


DIAGRAM - SCA11WH
Full dimensional details
per hinge p38

Description	WHITE SEAT + COVER		BLACK SEAT + COVER	WHITE SEAT ONLY
Reference	SCA11WH	SCA21WH	SCA21BL	SCA61WH
EAN code	5012158689414	5012158650537	5012158650261	5024139039064
Packaging	Individually boxed	Pack of 5		
Multiples / Pack	05 per outer / 100 per pallet		05 per box / 150 per pallet	
Weight	1,3 kg			
Hinge Feature	Bottom Fix			
Hinge material	White Plastic		Black Plastic	White Plastic
Features and benefits	<ul style="list-style-type: none"> • Material: Thermoset • Resistant to scratches, UV and chemicals • Resilient: extremely strong, durable and hard wearing • Hygienic: made of naturally antibacterial material • Ideal for contract purposes for medium traffic areas • Colour matching Hinge material 			

**MODUFIX
TOILET SEATS**




**UNIVERSAL SHAPE
TOILET SEATS**

**D- SHAPE
TOILET SEATS**

**SPECIAL NEEDS
TOILET SEATS**

SPARES & ACCESSORIES

SEAT FLAMENCO

Description	WHITE SEAT + COVER		
Reference	20120361	20120362	20120363
EAN code	5017134133158	5017134133165	5017134133172
Packaging	Individually boxed		
Multiples / Pack	05 per outer / 100 per pallet		
Weight	1,3 kg		
Hinge Feature	Bottom Fix		Top Fix
Hinge material	Plastic	Stainless Steel	Stainless Steel
			
Features and benefits	<ul style="list-style-type: none"> • Material: Thermoplastic • Shatterproof and 100% recyclable material • Plastic or stainless steel Hinge material available 		

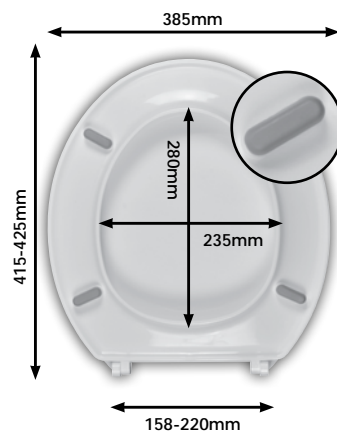
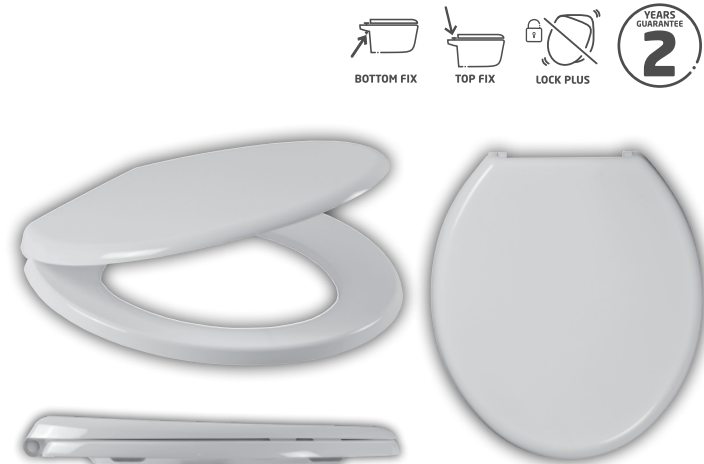





DIAGRAM - 20120361
Full dimensional details per hinge p37



SEAT MELODY

Description	WHITE SEAT + COVER		
Reference	20120349	20120350	20120351
EAN code	5017134133035	5017134133042	5017134133059
Packaging	Individually boxed		
Multiples / Pack	05 per outer / 100 per pallet		
Weight	1,3 kg		
Hinge Feature	Bottom Fix		Top Fix
Hinge material	Plastic	Stainless Steel	Stainless Steel
			
Features and benefits	<ul style="list-style-type: none"> • Material: Thermoset • Resistant to scratches, UV and chemicals • Resilient: extremely strong, durable and hard wearing • Hygienic: made of naturally antibacterial material • Ideal for contract purposes for medium traffic areas • Plastic or 304 stainless steel Hinge material available 		

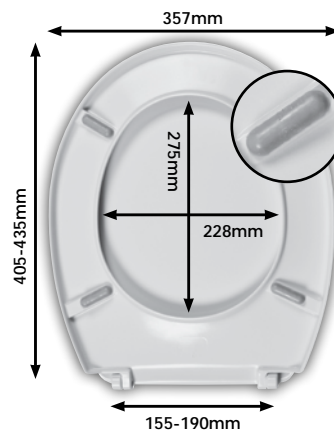
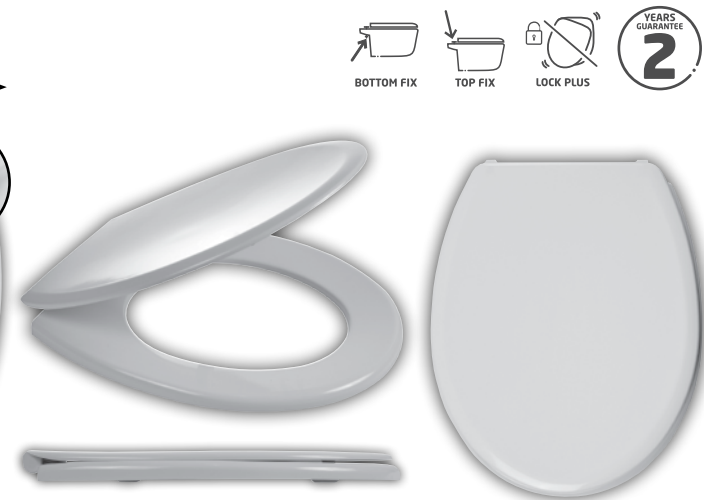


DIAGRAM - 20120349
Full dimensional details per hinge p38



SEAT

SAPPHIRE



Description	WHITE SEAT + COVER	CHAMPAGNE SEAT + COVER
Reference	SSP11WH	SSP11CH
EAN code	5017134106763	5017134106657
Packaging	Individually boxed	
Multiples / Pack	05 per outer / 100 per pallet	
Weight	1,3kg	
Hinge Feature	Bottom Fix	
Hinge material	Pre assembled	
Features and benefits	<ul style="list-style-type: none"> • Material: Thermoplastic • Shatterproof and 100% recyclable material • Supplied pre-assembled with adjustable plastic Hinge material 	

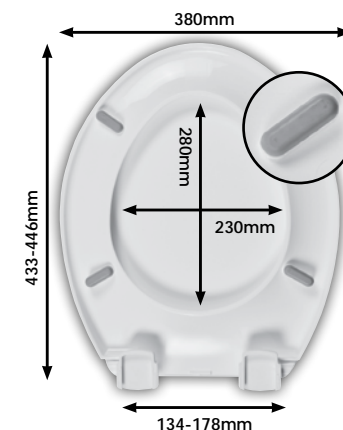


DIAGRAM - SSP11WH
Full dimensional details
per hinge p37

**MODUFIX
TOILET SEATS**

**UNIVERSAL SHAPE
TOILET SEATS**

**D- SHAPE
TOILET SEATS**

**SPECIAL NEEDS
TOILET SEATS**

SPARES & ACCESSORIES

SEAT FIRST

Description	WHITE SEAT + COVER
Reference	20718747
EAN code	3375537186945
Packaging	Individually boxed
Multiples / Pack	06 per outer / 108 per pallet
Weight	1,7 kg
Hinge Feature	Bottom Fix, Soft Close
Hinge material	Pre assembled
Features and benefits	<ul style="list-style-type: none"> • Material: Thermoplastic • Shatterproof and 100% recyclable material • Successfully tested to 10,000 opening/closing cycles

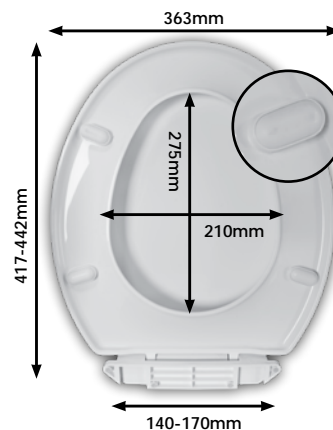


DIAGRAM - 20718747
Full dimensional details per hinge p37



SEAT FUSION

Description	WHITE SEAT + COVER
Reference	20120354
EAN code	5017134133080
Packaging	Individually boxed
Multiples / Pack	05 per outer / 100 per pallet
Weight	1,7 kg
Hinge Feature	Top Fix, Soft Close
Hinge material	Stainless Steel
Features and benefits	<ul style="list-style-type: none"> • Material: Thermoset • Resilient: extremely strong, durable and hard wearing • Resistant to scratches, UV and chemicals • Hygienic: made of naturally antibacterial material • Ideal for contract purposes for medium to high traffic areas

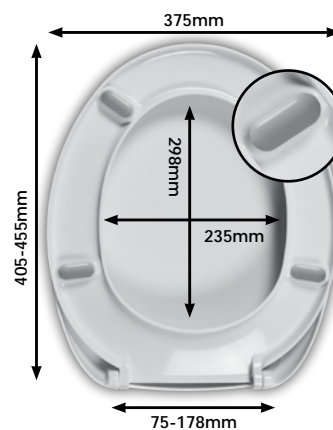






DIAGRAM - 20120354
Full dimensional details per hinge p38



SEAT **EMERALD**

Description	WHITE SEAT + COVER		BLACK SEAT + COVER	
	Reference	SEM11WH	SEM18WH	SEM11BL
EAN code	5017134106527	5017134116212	5017134106428	5017134116236
Packaging	Individually boxed			
Multiples / Pack	05 per outer / 100 per pallet			
Weight	1,8 kg			
Hinge Feature	Bottom Fix	Top Fix	Bottom Fix	Top Fix
Hinge material	WHITE - Pre assembled	CHROME - Pre assembled	Stainless Steel	CHROME - Pre assembled
				
Features and benefits	<ul style="list-style-type: none"> • Material: Thermoplastic • Shatterproof and 100% recyclable material • Set British Standard 1254 Type 2 • Ideal for specification 			

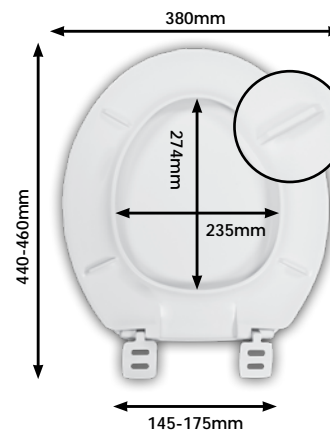


DIAGRAM - SEM11WH
Full dimensional details
per hinge p37



SEAT **TANGO**

Description	WHITE SEAT + COVER	
	Reference	STG11WH
EAN code	5012158689681	
Packaging	Individually boxed	
Multiples / Pack	06 per outer / 72 per pallet	
Weight	1,7 kg	
Hinge Feature	Top Fix, Soft Close, Quick Release	
Hinge material	Pre assembled	
Features and benefits	<ul style="list-style-type: none"> • Material: Thermoplastic • Shatterproof and 100% recyclable material • Easy to remove for easier cleaning • Ideal for blind holes pans • No more noise, no fingers trapped: Soft close 	

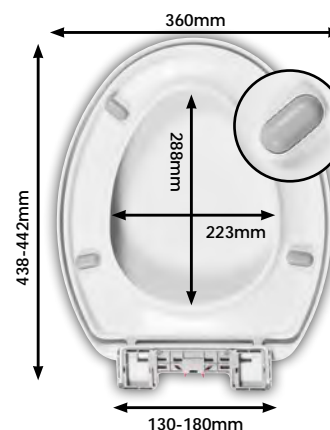


DIAGRAM - STG11WH
Full dimensional details
per hinge p37



SEAT **SAXON**

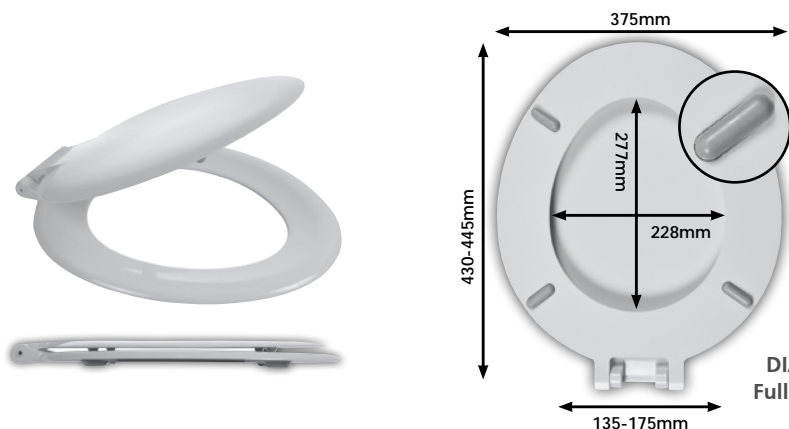




DIAGRAM - SSA11WH
Full dimensional details
per hinge p38



Description	WHITE SEAT + COVER			BLACK SEAT + COVER		BLACK SEAT ONLY
Reference	SSA11WH	SSA12WH	SSA21WH	SSA11BL	SSA21BL	SSA61BL
EAN code	5012158653866	5012158669324	5012158030230	5012158655785	5012158030131	5017134130393
Packaging	Individually boxed		Pack of 5	Individually boxed	Pack of 5	Pack of 5
Multiples / Pack	05 per outer / 100 per pallet		05 per box / 150 per pallet	05 per outer / 100 per pallet	05 per box / 150 per pallet	05 per box / 150 per pallet
Weight	1,7 kg					
Hinge Feature	Bottom Fix					
Hinge material	Plastic	Non Cranked Stainless Steel	Plastic	Plastic		Plastic
Features and benefits	<ul style="list-style-type: none"> • Material: Thermoset • Resistant to scratches, UV and chemicals • Resilient: extremely strong, durable and hard wearing • Hygienic: made of naturally antibacterial material • Ideal for contract purposes for medium to high traffic areas • Plastic or 304 stainless steel Hinge material available 					

SEAT **MADRIDIO**

Description	WHITE SEAT + COVER	
Reference	SMB1TWH	20120262
EAN code	5055294430229	5017134132601
Packaging	Individually boxed	
Multiples / Pack	05 per outer / 100 per pallet	
Weight	2,1 kg	
Hinge Feature	Top Fix	Top Fix, Soft Close
Hinge material	Stainless Steel	
		
Features and benefits	<ul style="list-style-type: none"> • Material: Thermoset • Resilient: extremely strong, durable and hard wearing • Resistant to scratches, UV and chemicals • Hygienic: made of naturally antibacterial material • Plastic or 304 stainless steel Hinge material available 	

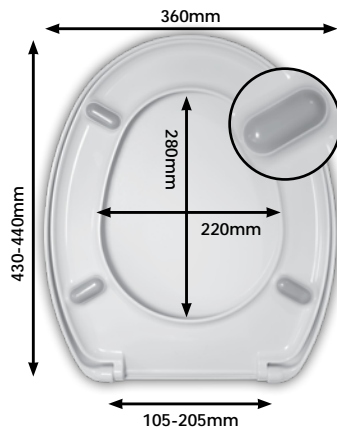




DIAGRAM - SMB1TWH
Full dimensional details
per hinge p38



SEAT **VIP**

Description	WHITE SEAT + COVER	
Reference	20120356	20120357
EAN code	5017134133103	5017134133110
Packaging	Individually boxed	
Multiples / Pack	05 per outer / 100 per pallet	
Weight	2,3 kg	
Hinge Feature	Top Fix	Top Fix, Soft Close
Hinge material	Stainless Steel	
		
Features and benefits	<ul style="list-style-type: none"> • Material: Thermoset • Resistant to scratches, UV and chemicals • Resilient: extremely strong, durable and hard wearing • Hygienic: made of naturally antibacterial material • Plastic or 304 stainless steel Hinge material available 	

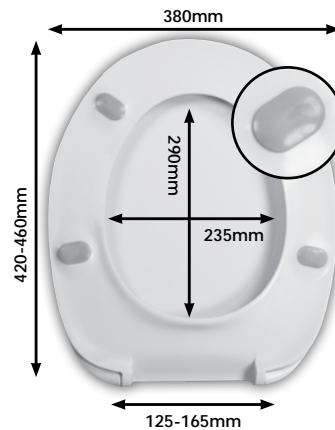


DIAGRAM - 20120356
Full dimensional details
per hinge p38



SEAT SONATA (SEAT + COVER) SET BRITISH STANDARD - BS1254 "TYPE 1"



DIAGRAM:
Plastic Hinge only.
Full dimensional details
per hinge p38.

Description	WHITE SEAT + COVER					BLACK SEAT + COVER				
	Reference	SSO11WH	SSO12WH	SSO15WH	SSO17WH	SSO21WH	SSO11BL	SSO12BL	SSO15BL	SSO21BL
EAN code	5012158010232	5012158669409	5012158672119	5012158689353	5024139038968	5012158653484	5012158669362	5017134132212	5012158010133	
Packaging	Individually boxed				Pack of 5	Individually boxed			Pack of 5	
Multiples / Pack	05 per outer / 100 per pallet				05 per box / 120 per pallet	05 per outer / 100 per pallet			05 per box / 120 per pallet	
Weight	2,5 kg									
Hinge Feature	Bottom Fix		Top Fix	Bottom Fix		Bottom Fix		Top Fix	Bottom Fix	
Hinge material	Plastic	Non Cranked Stainless Steel	Stainless Steel	Stainless Steel	Plastic	Plastic	Non Cranked Stainless Steel	Stainless Steel	Plastic	
Features and benefits	<ul style="list-style-type: none"> • Material: Thermoset • Resilient: extremely strong, durable and hard wearing • Resistant to scratches, UV and chemicals • Hygienic: made of naturally antibacterial material • Ideal for contract purposes for high traffic areas • Plastic or 304 stainless steel Hinge material available 									

SEAT

SONATA (SEAT ONLY) SET BRITISH STANDARD - BSI254 "TYPE 1"



Description	WHITE SEAT ONLY				BLACK SEAT ONLY		
	Reference	SSO53WH	SSO55WH	SSO65WH	SSO51BL	SSO53BL	SSO55BL
EAN code	5012158667122	5012158669416	5012158672119	5024139039088	5012158666828	5012158669379	5012158669379
Packaging	Individually boxed			Box of 6	Individually boxed		
Multiples / Pack	07 per outer / 140 per pallet		07 per outer / 140 per pallet	06 per box / 180 per pallet	07 per outer / 140 per pallet		
Weight	1,5 kg						
Hinge Feature	Bottom Fix		Top Fix	Top Fix	Bottom Fix		Top Fix
Hinge material	Plastic	Non Cranked Stainless Steel	Stainless Steel	Stainless Steel	Plastic	Non Cranked Stainless Steel	Stainless Steel
Features and benefits	<ul style="list-style-type: none"> • Material: Thermoset • Resilient: extremely strong, durable and hard wearing • Resistant to scratches, UV and chemicals • Hygienic: made of naturally antibacterial material • Ideal for contract purposes for high traffic areas • Plastic or 304 stainless steel Hinge material available 						

SEAT CAVALCADE

Description	WHITE SEAT + COVER
Reference	SCL11WH
EAN code	5024139031853
Packaging	Individually boxed
Multiples / Pack	01 / 03 / 60
Weight	3,5 kg
Hinge Feature	Bottom Fix
Hinge material	Pre assembled
Features and benefits	<ul style="list-style-type: none"> • Material: Mouldwood • Longlasting material • Chrome plated bar hinge • Ideal for traditional pans

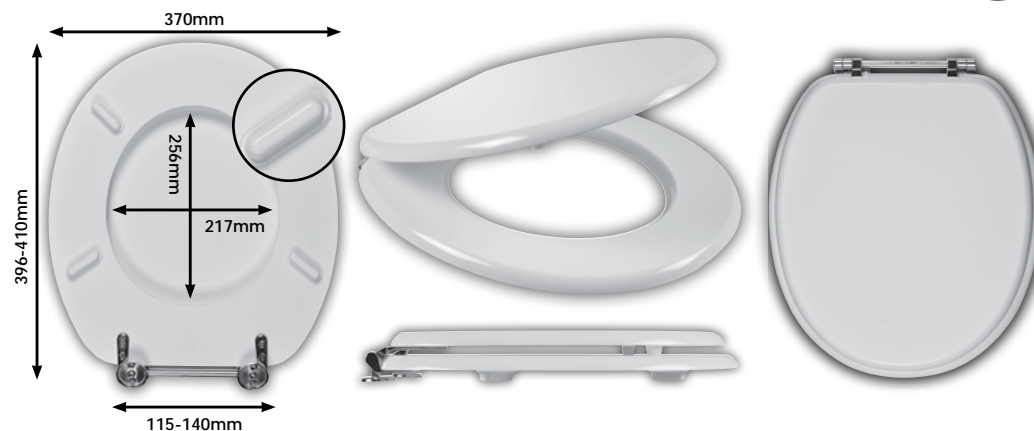


DIAGRAM - SCL11WH
Full dimensionals details
per hinge p39

SEAT **WOODY PARAMOUNT**

Description	WHITE SEAT + COVER
Reference	21230001
EAN code	3375539049736
Packaging	Individually boxed
Multiples / Pack	01 / 04 / 64
Weight	2,7 kg
Hinge Feature	Bottom Fix
Hinge material	Pre assembled
Features and benefits	<ul style="list-style-type: none"> • Material: Mouldwood • Longlasting material • Successfully tested to 20,000 opening/closing cycles • Matching colour plastic Hinge material

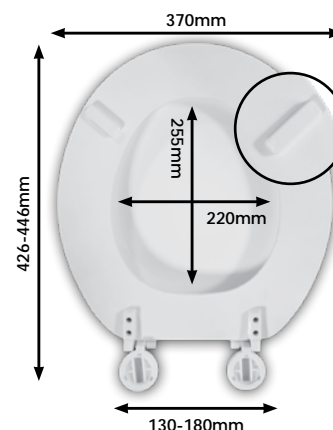


DIAGRAM - 21230001
Full dimensionals details
per hinge p39



SEAT **WOODY**

Description	WHITE SEAT + COVER
Reference	21230004
EAN code	3375537127320
Packaging	Individually boxed
Multiples / Pack	01 / 03 / 60
Weight	2,5 kg
Hinge Feature	Bottom Fix
Hinge material	Pre assembled
Features and benefits	<ul style="list-style-type: none"> • Material: Mouldwood • Longlasting material • Successfully tested to 20,000 opening/closing cycles • 304 stainless steel Hinge material

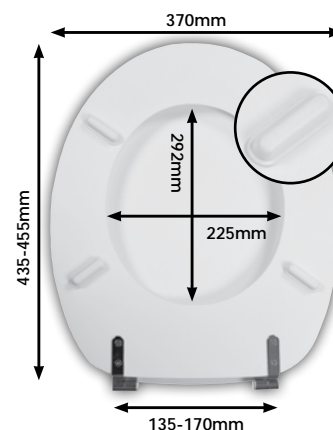


DIAGRAM - 21230004
Full dimensionals details
per hinge p39



**MODUFIX
TOILET SEATS**
**UNIVERSAL SHAPE
TOILET SEATS**
**D- SHAPE
TOILET SEATS**
**SPECIAL NEEDS
TOILET SEATS**
SPARES & ACCESSORIES
SEAT **WOODY LUX**

Description	WHITE SEAT + COVER
Reference	20719569
EAN code	3375537194971
Packaging	Individually boxed
Multiples / Pack	01 / 03 / 60
Weight	3,5 kg
Hinge Feature	Bottom FIX, Soft Close
Hinge material	Pre assembled
Features and benefits	<ul style="list-style-type: none"> • Material: Mouldwood • High strenght compressed wood with a white glossy paint finish • Successfully tested to 20,000 opening/closing cycles • Chrome plated soft close Hinge material

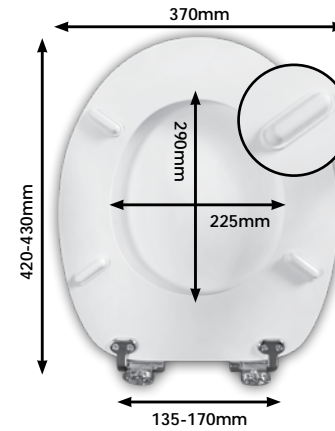


DIAGRAM - 20719569
Full dimensionals details
per hinge p39



D SHAPE

TOILET SEATS



DESCRIPTION	WEIGHT (KG)	PAGE NUMBER
DISCO	2,1	28
AMIRAL	2,1	28
MAESTRO	2,3	29



› TO MATCH THE INCREASING NUMBER OF FRAMES AND WALL HUNG PANS IN MODERN BATHROOMS



**MODUFIX
TOILET SEATS**

**UNIVERSAL SHAPE
TOILET SEATS**

**D SHAPE
TOILET SEATS**

**SPECIAL NEEDS
TOILET SEATS**

SPARES & ACCESSORIES

SEAT DISCO

Description	WHITE SEAT + COVER
Reference	20721512
EAN code	3375537659340
Packaging	Individually boxed
Multiples / Pack	01 / 04 / 96
Weight	2,5 kg
Hinge Feature	Top Fix, Soft Close, Quick Release
Hinge material	Pre assembled
Features and benefits	<ul style="list-style-type: none"> • Material: Thermoset • Resilient: extremely strong, durable and hard wearing • Fully wrap over with square edges D-Shape • Resistant to scratches, UV and chemicals • Hygienic: made of naturally antibacterial material • Ideal for blind hole pans

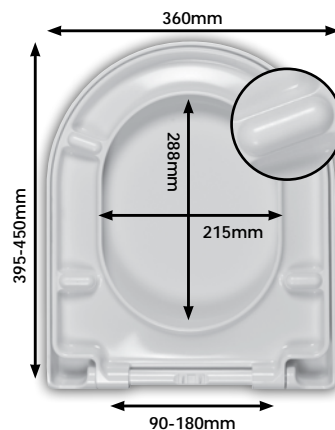


DIAGRAM - 20721512
Full dimensionals details per hinge p39



SEAT AMIRAL

Description	WHITE SEAT + COVER
Reference	20721280
EAN code	3375537212095
Packaging	Individually boxed
Multiples / Pack	01 / 04 / 96
Weight	2,1 kg
Hinge Feature	Top Fix, Soft Close, Quick Release
Hinge material	Pre assembled
Features and benefits	<ul style="list-style-type: none"> • Material: Thermoset • Slim contemporary Design • Resilient: extremely strong, durable and hard wearing • Resistant to scratches, UV and chemicals • Hygienic: made of naturally antibacterial material • Ideal for blind hole pans

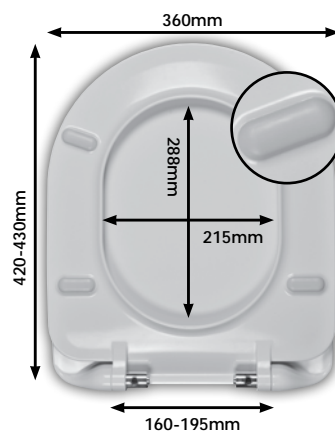





DIAGRAM - 20721280
Full dimensionals details per hinge p39



SEAT **MAESTRO**

Description	WHITE SEAT + COVER		
Reference	20120358	20120359	20120360
EAN code	5017134133127	5017134133134	5017134133141
Packaging	Individually boxed		
Multiples / Pack	05 per outer / 100 per pallet		
Weight	2,3 kg		
Hinge Feature	Bottom Fix	Top Fix	Top Fix, Soft Close, Quick Release
Hinge material	Stainless Steel	Stainless Steel	Stainless Steel
			
Features and benefits	<ul style="list-style-type: none"> • Material: Thermoset • Resilient: extremely strong, durable and hard wearing • Semi Wrap over design • Resistant to scratches, UV and chemicals • Hygienic: made of naturally antibacterial material • Ideal for blind hole pans with the top fix option 		

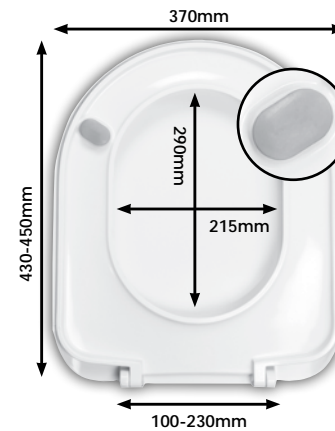


DIAGRAM - 20120358
Full dimensional details
per hinge p39



SPECIAL NEEDS

TOILET SEATS



DESCRIPTION	WEIGHT (KG)	PAGE NUMBER
CELESTE PRO	2,3	31
CELESTE PLUS	2,3	32
CRESCENT ADULT	2,7	34
CRESCENT JUNIOR	1,0	35

› ASTHETICALLY PLEASING SEATS WITH YOUR NEEDS IN MIND



Did you know?

› **BLUE** TOILET SEATS HELP TO REMIND PEOPLE WITH COGNITIVE LOSS WHAT THE PURPOSE OF THE TOILET / BATHROOM IS AND ALSO WHERE IT IS LOCATED. THIS CAN HELP TO REDUCE CONFUSION AND DISTRESS WHEN VISITING THE TOILET.



SEAT CELESTE PRO

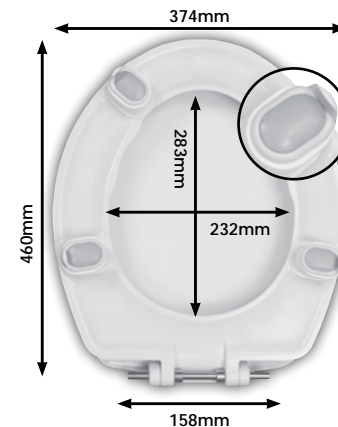
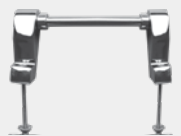


DIAGRAM - SCI11WY
Full dimensional details
per hinge p39



Description	WHITE SEAT AND COVER WITH C/P TOP FIX HINGE AND RAISED LOCATING BUFFERS	BLUE SEAT AND COVER WITH C/P TOP FIX HINGE AND RAISED LOCATING BUFFERS	WHITE SEAT ONLY WITH C/P TOP FIX HINGE AND RAISED LOCATING BUFFERS	BLUE SEAT ONLY WITH C/P TOP FIX HINGE AND RAISED LOCATING BUFFERS
Reference	SCI11WY	SCI11IB	SCI51WY	SCI51IB
EAN code	5024139038753	5024139038746	5024139038777	5024139038760
Packaging	Individually boxed			
Multiples / Pack	04 per outer / 80 per pallet		05 per outer / 100 per pallet	
Weight	2,2kg			
Hinge Feature	Top Fix			
Hinge material	Solid brass adjustable hinge, Stainless steel fittings			



Features and benefits

- Material: Thermoset
- Hygienic: made of naturally antibacterial material
- Resistant to scratches, UV and chemicals
- Ergonomical seat for maximum comfort when sitting for a long time
- Adjustable locating buffers ideal for hospitals and care homes



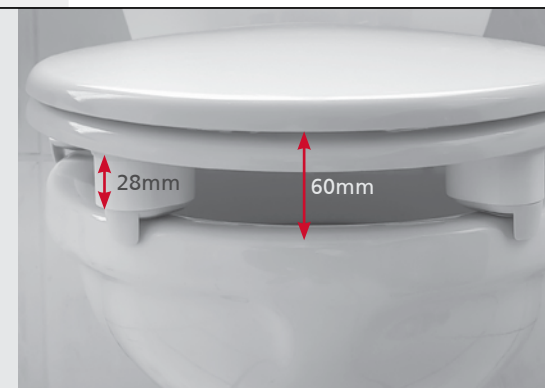
- 4 buffers on the seat including 2 locating buffers for more stability
- 2 buffers on the cover
- Increased height (28mm)



SMART

FOR ELDERLEY

- Adjustable and increased height of (28mm) on additional buffers makes this seat ideal for elderly without having to change the existing pan.
- Ideal for hospitals, care homes and the elderly.



SEAT CELESTE PLUS

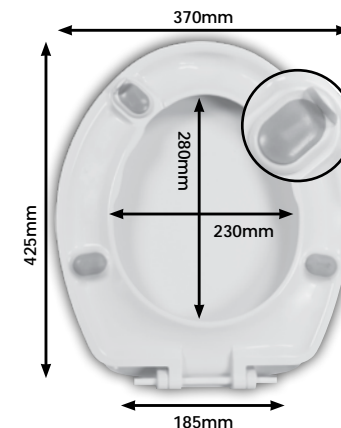
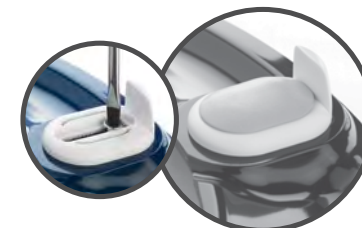



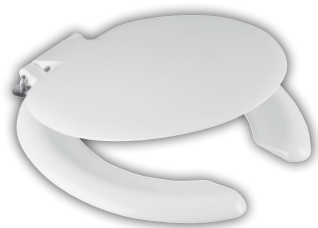
DIAGRAM - SCK11WY
Full dimensional details
per hinge p39








- 4 buffers on the seat including 2 locating buffers for more stability
- 2 buffers on the cover

Description	WHITE SEAT AND COVER WITH C/P TOP FIX HINGE AND LOCATING BUFFERS	BLUE SEAT AND COVER WITH C/P TOP FIX HINGE AND LOCATING BUFFERS	WHITE SEAT ONLY WITH C/P TOP FIX HINGE AND LOCATING BUFFERS	BLUE SEAT ONLY WITH C/P TOP FIX HINGE AND LOCATING BUFFERS
Reference	SCK11WY	SCK11IB	SCK51WY	SCK51IB
EAN code	5024139036834	5024139037152	5024139037398	5024139039309
Packaging	Individually boxed			
Multiples / Pack	04 per outer / 80 per pallet		05 per outer / 100 per pallet	
Weight	2,2kg			
Hinge Feature	Top Fix			
Hinge material	Solid brass adjustable hinge, Stainless steel fittings			
				
Features and benefits	<ul style="list-style-type: none"> • Naturally antibacterial thermoset material • Resilient: adjustable locating buffers to hold the seat on the pan when sliding from the wheelchair onto the pan • Resistant to scratches, uv and chemicals • Ergonomical seat for maximum comfort when sitting for a long time • Non corrosive 304 stainless steel hinge material • Top fix fitting : ideal for blind holes pans 			

SEAT CRESCENT ADULT



Description	WHITE SEAT AND COVER	WHITE SEAT ONLY		BLACK SEAT ONLY	
Reference	SCR12WH	SCR51WH	SCR53WH	SCR51BL	SCR53BL
EAN code	5012158669034	5012158650988	5012158669041	5012158655846	5012158669003
Packaging	Individually boxed				
Multiples / Pack	05 per outer / 100 per pallet	07 per outer / 140 per pallet			
Weight	2,6 kg				
Hinge Feature	Bottom Fix				
Hinge material	Non Cranked Stainless Steel	Plastic	Non Cranked Stainless Steel	Plastic	Non Cranked Stainless Steel
					
Features and benefits	<ul style="list-style-type: none"> • Material: Thermoset • Hygienic: made of naturally antibacterial material • Resistant to scratches, UV and chemicals • Gap front seat to reduce contact with bacteria > Ideal for hospitals and care homes 				

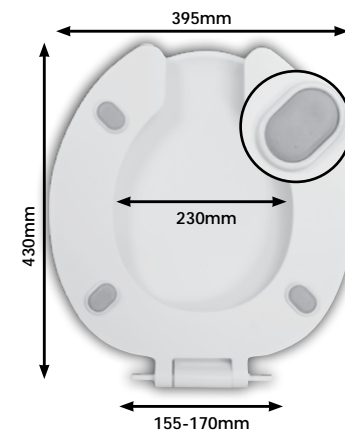






DIAGRAM - SCR12WH
Full dimensional details
per hinge p39



SEAT CRESCENT JUNIOR



Description	WHITE SEAT ONLY		BLACK SEAT ONLY	
	Reference	SCJ51WH	SCJ53WH	SCJ51BL
EAN code	5012158691820	5012158669102	5012158661922	5012158669089
Packaging	Individually boxed			
Multiples / Pack	07 per outer / 140 per pallet			
Weight	1,1 kg			
Hinge Feature	Bottom FIX			
Hinge material	Plastic	Non Cranked Stainless Steel	Plastic	Non Cranked Stainless Steel
				
Features and benefits	<ul style="list-style-type: none"> • Material: Thermoset • Hygienic: made of naturally antibacterial material • Designed to fit 12" school pans • Resistant to scratches, UV and chemicals • Gap front seat to reduce contact with bacteria >Ideal for schools • Made in the UK 			

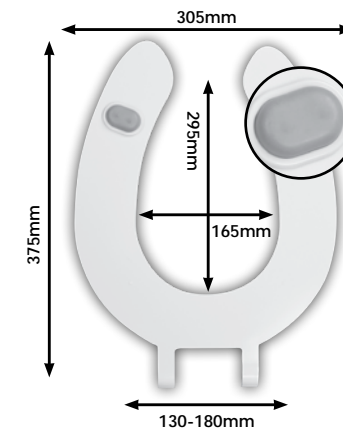
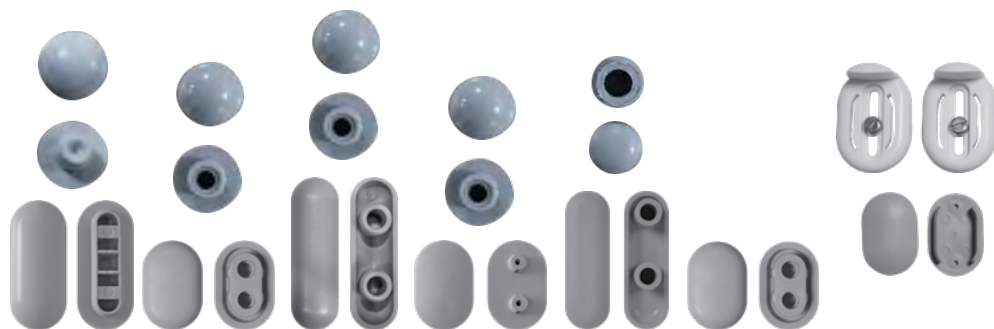


DIAGRAM - SCJ53WH
Full dimensional details
per hinge p39






BUFFERS



Description	BUFFER KIT PACK 1	BUFFER KIT PACK 2	BUFFER KIT PACK 3	BUFFER KIT PACK 4	BUFFER KIT PACK 5	SONATA SEAT BUFFER	LOCATING BUFFERS KIT
	20 cover + 20 seat buffers					40 seat buffers	Kit for 1 seat
Reference	20120542	20120543	20120544	20120545	20120546	20120586	20120624
EAN code	5017134147360	5017134147377	5017134147384	5017134147391	5017134147407	5017134147803	5017134148183
Packaging	Bag	Bag	Bag	Bag	Bag	Bag	Bag
Multiples / Pack	01/25	01/25	01/25	01/25	01/25	01/25	01/25
Material	Plastic	Plastic	Plastic	Plastic	Plastic	Plastic	Plastic
Seat names/ references	Madridio, Fusion, Magnum, Nadix	Crescent Adult, Crescent Junior and Sonata	Aria, Calypso, Lyric, MDTs1, Melody, Mercury, Neptune, Saxon, Tamar	Concerto, Maestro, Evermoor, Regent, Rondo VIP	Flamenco, Sapphire	Sonata Seat only	Celeste +
Suitable for	Up to 5 seats	Up to 5 seats	Up to 5 seats	Up to 5 seats	Up to 5 seats	Up to 10 seats	1 seat

HINGES - PLASTIC



Description	EXCENTRIC WHITE PLASTIC HINGE	DDP WHITE PLASTIC HINGE	DDP BLACK PLASTIC HINGE	TOP FIX WHITE PLASTIC HINGE + WHITE ROD
Reference	FDR11WH	20120563	20120564	20120615
EAN code	5012158674588	5017134147575	5017134147582	5017134148091
Packaging	Bag	Bag	Bag	Bag
Multiples / Pack	01/50	01/50	01/50	01/50
Fixation type	B/F	B/F	B/F	T/F
Material	Plastic	Plastic	Plastic	Plastic
Seat names/ references	HDS1, MDTs1, MDPP1, Neon, International, Flamenco, Melody, VIP	Sonata, Saxon, Calypso, Tamar, Concerto, Neptune, Lyric	Sonata, Saxon, Calypso,	Sonata, Calypso, Concerto, Neptune & Lyric
Lock +	 8mm Lock+ Included	 8mm Lock+ Included	 8mm Lock+ Included	Not compatible

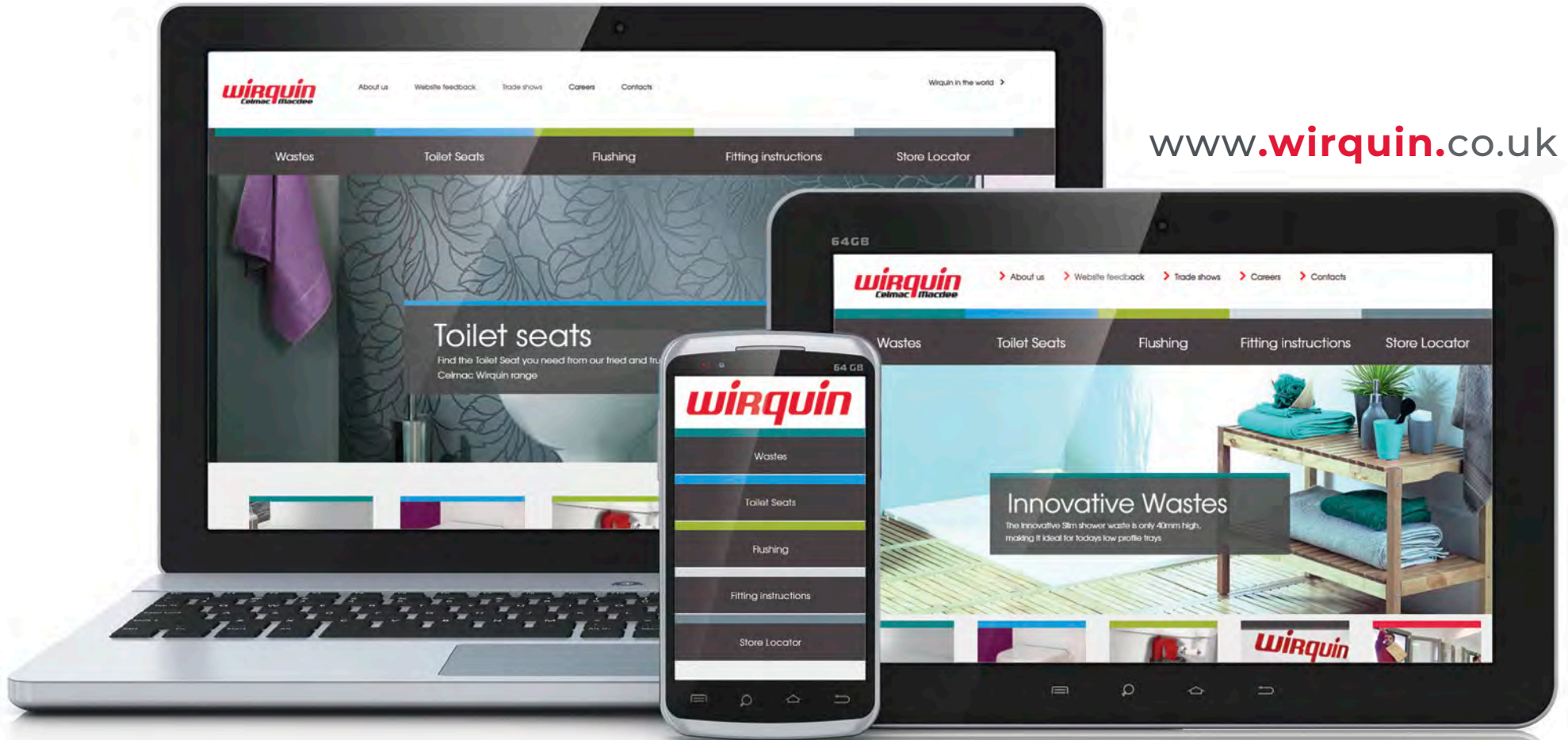
**MODUFIX
TOILET SEATS**
**UNIVERSAL SHAPE
TOILET SEATS**
**D- SHAPE
TOILET SEATS**
**SPECIAL NEEDS
TOILET SEATS**
SPARES & ACCESSORIES
HINGES


Description	NON CRANKED STAINLESS STEEL FITTINGS	BOTTOM FIX EXCENTRIC STAINLESS STEEL HINGE	TOP FIX EXCENTRIC STAINLESS STEEL HINGE	TOP FIX ROD HINGE	CHROME PLATED ROD HINGE	CRANKED STAINLESS STEEL FITTING	SOFT CLOSE QUICK RELEASE AND TOP FIX C/P BODY HINGE AND SS FITTINGS	SOFT CLOSE QUICK RELEASE AND TOP FIX PLASTIC BODY HINGE AND SS FITTINGS	FD211SS HINGE KIT – SPARES
Reference	20120547	20120345	20120344	20120566	20120567	20120548	20120342	20120343	20120625
EAN code	5017134147414	5017134133431	5017134133424	5017134147605	5017134147612	5017134147421	5017134133400	5017134133417	5017134148190
Packaging	Bag	Box	Box	Bag	Bag	Bag	Box	Box	Bag
Multiples / Pack	01/35	01/48	01/48	01/60	01/60	01/35	01/48	01/48	01/60
Fixation type	B/F	B/F	T/F	T/F	B/F	B/F	SC/QR/TF	SC/QR/TF	B/F
Material	Stainless steel	Stainless steel	Stainless steel	Stainless steel	Stainless steel	Stainless steel	Stainless steel	Stainless steel	Stainless steel
Seat names/ references	Saxon, Crescent Junior	HDTS1, MDTS1, MDPP1, Flamenco, Melody, VIP, Madridio	HDTS1, MDTS1, MDPP1, Flamenco, Melody, VIP, Madridio	Sonata, Celeste Plus	Sonata	Saxon, Celeste, mini P72, Tamar	HDTS1, MDTS1, MDPP1, Flamenco, Melody, VIP	HDTS1, MDTS1, MDPP1, Flamenco, Melody, VIP	Sonata
Lock +	Compatible with 8 mm Lock + (20120455)	 Included	 Included	Compatible with 6 mm Lock + (20120454)	Compatible with 6 mm Lock + (20120454)	Compatible with 8 mm Lock + (20120455)	 Included	 Included	Compatible with 8 mm Lock + (20120455)

		THERMOPLASTIC UNIVERSAL SHAPE										
		Neon	International	"Flamenco Plastic hinge"	"Flamenco B/F Metal hinge"	"Flamenco T/F Metal hinge"	Flamenco T/F Metal Hinge S/C, QR	Sapphire	First	Emerald plastic hinge	Emerald metal hinge	Tango
Hinge type	Plastic	●	●	●				●	●	●		●
	Stainless steel				●	●	●					
	CP brass										●	
Hinge features	Bottom Fix	●	●	●	●			●	●	●		
	Top Fix					●	●				●	●
	Soft Close						●	●				●
	Quick Release						●	●				●
	Lock +	●	●	●	●	●	●					
Hinge fittings	Plastic	●	●	●				●	●	●		
	Metal										●	●
	Stainless steel				●	●	●					
Lock+		20120455	20120455	20120455	20120454	20120454		n/a	n/a	n/a	n/a	n/a
Application	High traffic			●	●	●	●	●	●	●	●	●
	Medium Traffic	●	●	●	●	●	●	●	●	●	●	●
	Domestic	●	●	●	●	●	●	●	●	●	●	●
	Doc M											
	School											
Finish	White	●	●	●	●	●	●	●	●	●	●	●
	Black		●					●		●	●	
	Colours							●				
Buffers	Seat	n/a	4	4	4	4	4	4	4	n/a	n/a	4
	Cover	n/a	2	n/a	n/a	n/a	n/a	2	2	n/a	n/a	n/a
	Buffer Kit No	n/a	n/a	20120546	20120546	20120546	20120546	20120546	n/a	n/a	n/a	n/a
Dimensions	Seat width	375mm	360mm	385mm	385mm	385mm	385mm	380mm	363mm	380mm	380mm	360mm
	Adjustability (Mini to maxi seat projection)	435-460mm	417-451mm	415-425mm	415-425mm	412-427mm	406-458mm	433-446mm	417-422mm	440-460mm	440-460mm	438-442mm
	Hole centres	125-190	138-185	158-220	164-208	164-208	85-183	134-178	140-170	145-175	145-175	130-180
	Inner width	238mm	235mm	235mm	235mm	235mm	235mm	230mm	210mm	235mm	235mm	223mm
	Inner length	290mm	281mm	280mm	280mm	280mm	280mm	280mm	275mm	274mm	274mm	288mm
weight	Light	●	●									
	Medium			●	●	●	●	●	●			●
	Heavy									●	●	
Weight in kg		0,9	1	1,3	1,3	1,3	1,3	1,3	1,7	1,8	1,8	1,7

		THERMOSET UNIVERSAL SHAPE															
		Calyppo	"Melody Plastic hinge"	"Melody B/F or T/F Metal hinge"	Melody Top fix, QR, SC	Fusion	Saxon plastic hinge	Saxon metal hinge	MadrrioTop fix	Madrrio Soft close	VIP Top fix	VIP Soft close	Sonata Plastic hinge	Sonata B/F metal hinge FSS13SS	Sonata B/F metal hinge FBC11CP	Sonata B/F metal hinge FSS13SS	Sonata T/F metal hinge 218814
Hinge type	Plastic	●	●				●						●				
	Stainless steel			●	●	●		●	●	●	●	●		●	●	●	●
	CP brass																
Hinge features	Bottom Fix	●	●	●			●	●					●	●	●	●	
	Top Fix			●	●	●			●	●	●	●					●
	Soft Close				●	●			●			●					
	Quick Release				●												
	Lock +		●	●	●	●		●	●	●	●	●		●	●	●	●
Hinge fittings	Plastic	●	●				●						●				
	Metal																
	Stainless steel			●	●	●		●	●	●	●	●		●	●	●	●
Lock+																	
Application	High traffic							●	●	●	●	●	●	●	●	●	●
	Medium Traffic	●	●	●	●	●	●	●	●	●	●	●	●	●	●	●	●
	Domestic	●	●	●	●	●	●	●	●	●	●	●	●	●	●	●	●
	Doc M																
	School																
Finish	White	●	●	●	●	●	●	●	●	●	●	●	●	●	●	●	●
	Black	●					●	●					●				
	Colours																
Buffers	Seat	4	4	4	4	4	4	4	4	4	4	4	4	4	4	4	4
	Cover	2	2	2	2	2	2	2	2	2	2	2	2	2	2	2	2
	Buffer Kit No	20120544	20120544	20120544	20120544	20120542	20120544	20120544	n/a	n/a	20120545	20120545	20120543	20120543	20120543	20120543	20120543
Dimensions	Seat width	370mm	357mm	357mm	357mm	375mm	375mm	375mm	360mm	360mm	380mm	380mm	385mm	385mm	385mm	385mm	385mm
	Adjustability (Mini to maxi seat projection)	425-440mm	405-435mm	410-430mm	415-460mm	405-455mm	430-445mm	440mm	430-440mm	395-445mm	420-460mm	415-460mm	430-445mm	445mm	445mm	445mm	445mm
	Hole centres	135-175	155-190	123-245	86-170	75-178	135-175	145-155	105-205	105-205	125-165	75-177	130-160	155-170	170	147-170	185
	Inner width	233mm	228mm	228mm	228mm	235mm	228mm	228mm	220mm	220mm	235mm	235mm	235mm	235mm	235mm	235mm	235mm
	Inner length	280mm	275mm	275mm	275mm	298mm	277mm	277mm	280mm	280mm	290mm	290mm	280mm	280mm	280mm	280mm	280mm
weight	Light	●	●	●	●												
	Medium					●	●	●									
	Heavy								●	●	●	●	●	●	●	●	●
Weight in kg		1,3	1,3	1,3	1,7	1,6	1,6	2,1	2,1	2,3	2,3	2,5	2,5	2,5	2,5	2,5	

		MDF - UNIVERSAL SHAPE				THERMOSET D-SHAPE				SPECIAL NEEDS					
		Cavalcade	Woody Paramount	Woody	Woody Lux	Maestro B/F or T/F metal hinge	Maestro Soft Close	Amiral	Disco	Celeste Pro	Celeste Plus	Crescent Adult plastic hinge	Crescent Adult metal hinge	Crescent Junior plastic hinge	Crescent Junior metal hinge
Hinge type	Plastic		●									●		●	
	Stainless steel			●		●	●	●	●		●		●		●
	CP brass	●			●					●					
Hinge features	Bottom Fix	●	●	●	●	●				●		●		●	●
	Top Fix						●	●	●	●					
	Soft Close						●	●	●						
	Quick Release														
Hinge fittings	Lock +					●	●				●				
	Plastic		●								●			●	
	Metal	●			●					●					
Application	Stainless steel			●		●	●	●	●		●		●		●
	Lock+														
	High traffic					●	●	●	●				●		
	Medium Traffic			●	●	●	●	●	●	●	●	●	●	●	●
	Domestic	●	●	●	●	●	●	●	●	●	●	●	●	●	●
Finish	Doc M														
	School													●	●
	White	●				●	●	●	●	●	●	●	●	●	●
Buffers	Black													●	●
	Colours									●	●				
	Seat	4	4	4	4	4	4	4	4	4	4	4	4	2	2
Dimensions	Cover	2	2	2	2	2	2	2	2	2	2	2	2	n/a	n/a
	Buffer Kit No	n/a	n/a	n/a	n/a	20120545	20120545	n/a	n/a	n/a	20120624	20120543	20120543	20120543	20120543
	Seat width	370mm	370mm	370mm	370mm	370mm	370mm	360mm	360mm	374mm	370mm	395mm	395mm	305mm	305mm
	Adjustability (Mini to maxi seat projection)	396-410mm	426-446mm	435-455mm	420-430mm	430-450mm	405-455mm	420-430mm	395-450mm	460mm	425mm	415-442mm	430mm	366-397mm	375mm
	Hole centres	115-140	130-180	135-170	135-170	100-230	100-190	160-195	90-180	158	185	142-185	155-170	142-185	130-180
Weight in kg	Inner width	217mm	220mm	225mm	225mm	215mm	215mm	215mm	215mm	232mm	230mm	230mm	230mm	165mm	165
	Inner length	256mm	255mm	292mm	290mm	290mm	290mm	288mm	288mm	283mm	280mm				
	Light														
Weight in kg	Medium													●	●
	Heavy	●	●	●	●	●	●	●	●	●	●	●	●		
	Weight in kg	3,5	2,7	2,5	3,5	2,3	2,3	2,1	2,5	2,2	2,2	2,6	2,6	1,1	1,1



www.wirquin.co.uk

 WirquinLtd  WirquinLtd  WirquinLtd  WirquinLtd UK

FLUSHING



MERCHANDISING TOOLS

INCREASE SALES



- > CONSISTENT AND SELF EXPLANATORY PACKAGING
- > SELECTION OF MERCHANDISING TO CHOOSE FROM

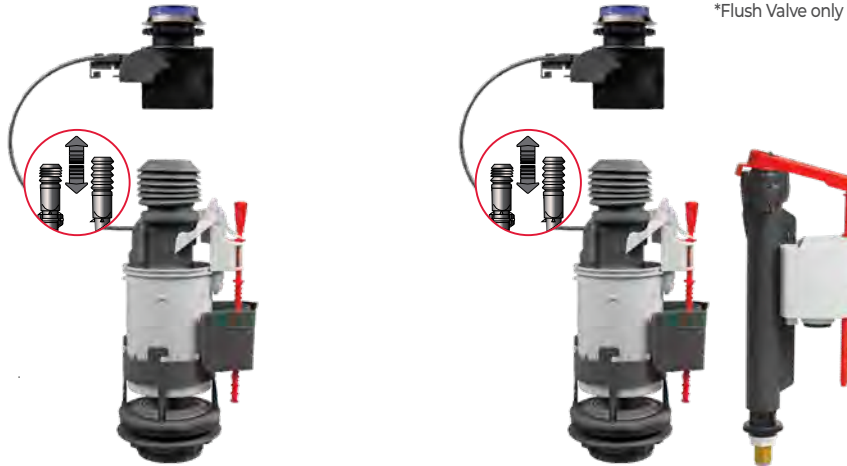
* Image for illustration purposes only.

JOLLYTRONIC

FLUSH VALVE JOLLYTRONIC NO TOUCH FLUSHING MECHANISM



*Flush Valve only



Description	JOLLYTRONIC FLUSH VALVE + NO TOUCH SENSOR	JOLLYTRONIC FLUSHING KIT WITH JOLLYFILL BOTTOM ENTRY INLET VALVE
Reference	10120021	10120022
EAN code	5017134129168	5017134129175
Packaging	Box	Bag
Multiples / Pack	08 per outer / 160 per pallet	10 per outer / 200 per pallet
Height of cisterns (mm)	300 to 420	300 to 420
Button diameter	38 to 45 mm	38 to 45 mm
Cable length	300 mm	300 mm
Main characteristics	Battery operated (4 x AA) no touch infrared flushing valve Water Saving Eco Flush, Flush rate of 1.85 l/mn Suitable for 1.5" or 2" Mechanism outlet (inches)	Battery operated (4 x AA) no touch infrared flushing valve Water Saving Eco Flush, Flush rate of 1.85 l/mn Suitable for 1.5" or 2" Mechanism outlet (inches) + Adjustable jollyfill telescopic, delayed action, inlet valve.
Contents	1 x Eco stop flushing valve and sensor button	1 x Eco stop flushing valve and sensor button 1 x Jollyfill brass bottom entry inlet valve 1 x 1.5" or 2" Close coupled bolted kit 1 x Close coupling washer

FLUSH SAFELY!

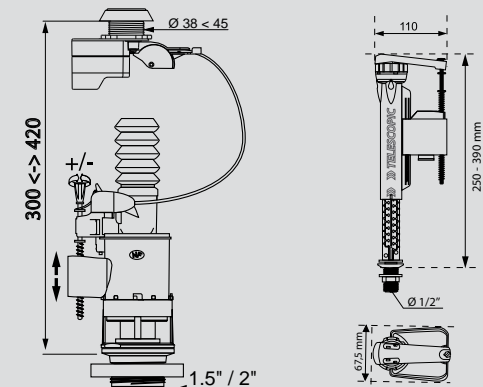
QUICK AND EASY TO INSTALL



> NO TOUCH REQUIRED: Flush safely.

> INFRA RED SENSOR: Ideal for reducing contamination and infection.

> WATER SAVING: Eco-stop



FLUSH VALVES - CABLE OPERATED



Did you know?
WIRQUIN invented the cable operated flush



FLUSH VALVES - LID LOCKING

Description	JOLLYFLUSH DUAL FLUSH MECHANISM - 2" & 1 1/2"	JOLLYFLUSH 2" & 1 1/2" DOC M FLUSH MECHANISM EASY FLUSH	KAYLA 2" & 1 1/2" DUAL FLUSH VALVE	WIRQUIN ONE 2" DUAL FLUSH VALVE
Reference	10120446	12050002	DVA0100	10120440
EAN code	5017134146400	3375537160860	5017134115376	5017134134247
Packaging	Box	Bag	Box	Box
Multiples / Pack	08 per outer / 160 per pallet	10 per outer / 200 per pallet	14 per outer / 210 per pallet	08 per outer / 160 per pallet
Height of cisterns (mm)	300 To 420	300 to 420	300 to 420	260 to 400 mm
Flush rate l/sec	2.2 Wras: 1.85	1.9 Wras: 1.85 (1 1/2") 2.2 Wras: 1.85 (2")	1.9 Wras: 1.85 (1 1/2") 2.2 Wras: 1.85 (2")	2.4
Button diameter	14 to 46 mm	14 to 46 mm	16 to 38 mm	40 mm
Mechanism outlet (inches)	1.5" or 2"	1.5" or 2"	1.5" or 2"	2"
Water saving	Dual flush	Single flush	Dual flush	Dual flush
Cable length	300 mm	300 mm	400 mm	N/A (Lid Locking)
Top or front mechanism	Top or front	Top or front	Top or front	Top
Main characteristics	Adjustable overflow (240 To 270mm).	Ideal for people with limited mobility. Raised button for easy flush. Adjustable overflow (240 to 270mm).	Multi full and part flush settings, adjustable overflow (190-330mm)	Suitable for 2" close coupled cisterns only.
Technical drawing				

FLUSH VALVES - PNEUMATIC OPERATED

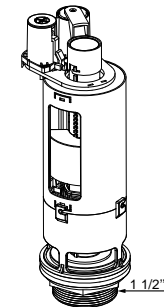
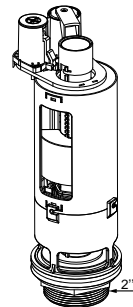


- ▶ Water saving dual flushing valve
- ▶ Adjustable Full and part flush volume settings
- ▶ Adjustable internal overflow, making it ideal for both new and retrofit installations
- ▶ Removable top for easy cleaning and replacement
- ▶ Flushpipe stops on the base for correct installation
- ▶ Easy clean seal for quick maintenance
- ▶ Suitable for use with our Pneu-Compact Cisterns
- ▶ WRAS approved



Description	KAYLA 2" DUAL FLUSH VALVE COMPLETE WITH KARA 72MM CHROME DUAL FLUSH PUSH BUTTON	KAYLA 2" DUAL FLUSH VALVE ONLY - NO BUTTON	KAYLA 1 1/2" SINGLE FLUSH VALVE ONLY NO BUTTON
Reference	DVA0500	DVA5200	DVA5350
EAN code	5017134116472	5017134119459	5017134120462
Packaging	Bag	Bag	Bag
Multiples / Pack	01/50	01/24	01/25
Flush rate l/sec	2.1	2.1	2.1
Mechanism outlet (inches)	2"	2"	1.5"
Water saving	Dual flush	Dual flush	Single flush
Air hose length	1.5m	1.5m	1.5m

Technical drawing



FLUSH VALVES

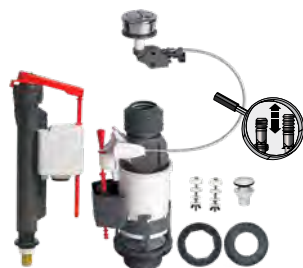
SIPHONS

INLET VALVES

URINAL FLUSHING

SPARES AND ACCESSORIES

FLUSH VALVES KITS



Description	JOLLYFLUSH TOP OR FRONT ACCESS 1 1/2" & 2" DUAL FLUSH MECHANISM + JOLLYFILL TELESCOPIC ADJUSTABLE INLET VALVE		JOLLYTRONIC 2" NO TOUCH BOTTOM ENTRY FLUSHING MECHANISM + JOLLYFILL TELESCOPIC ADJUSTABLE INLET VALVE	KAYLA CABLE OPERATED DUAL FLUSH VALVE 1 1/2" & 2" UNIVERSAL BOTTOM ENTRY CISTERN FITTING PACK
Reference	10120269		14010402	AV068
EAN code	5017134132700		3375537159475	5017134119169
Packaging	Box		Bag	Bag
Box / outer / pallet	06 per outer / 120 per pallet		10 per outer / 200 per pallet	10 per outer / 200 per pallet
Height of cisterns (mm)	300 to 420		300 to 420	300 to 420
Flush rate l/sec	1.9 WRAS: 1.85 (1 1/2") 2.2 WRAS: 1.85 (2")		1.9 WRAS: 1.85 (1 1/2") 2.2 WRAS: 1.85 (2")	1.9 WRAS: 1.85 (1 1/2") 2.2 WRAS: 1.85 (2")
Button diameter	14 to 46 mm		14 to 46 mm	16 to 38 mm
Mechanism outlet (inches)	1.5" or 2"		1.5" or 2"	1.5" or 2"
Water saving	Dual flush		Dual flush	Dual flush
Cable length	300 mm		300 mm	400 mm
Top or front mechanism	Top or front		Top or front	Top or front
Inlet valve	1/2" brass tail		1/2" plastic tail	1/2" plastic tail
Main characteristics	Universal flush kit complete replacement kit for 99% of bottom entry close coupled cisterns. Extendable overflow (240 to 270mm). Adjustable jollyfill telescopic, delayed action, space saving, inlet valve.		Universal flush kit complete replacement kit for 99% of bottom entry close coupled cisterns. Extendable overflow (240 to 270mm). Adjustable jollyfill telescopic, delayed action, space saving, inlet valve.	Battery operated (4 x AA) no touch infrared flushing valve Water Saving Eco Flush, Flush rate of 1.85 l/mn Suitable for 1.5" or 2" Mechanism outlet (inches) + Adjustable jollyfill telescopic, delayed action, inlet valve.
Technical drawing				

MACDEE MOTION

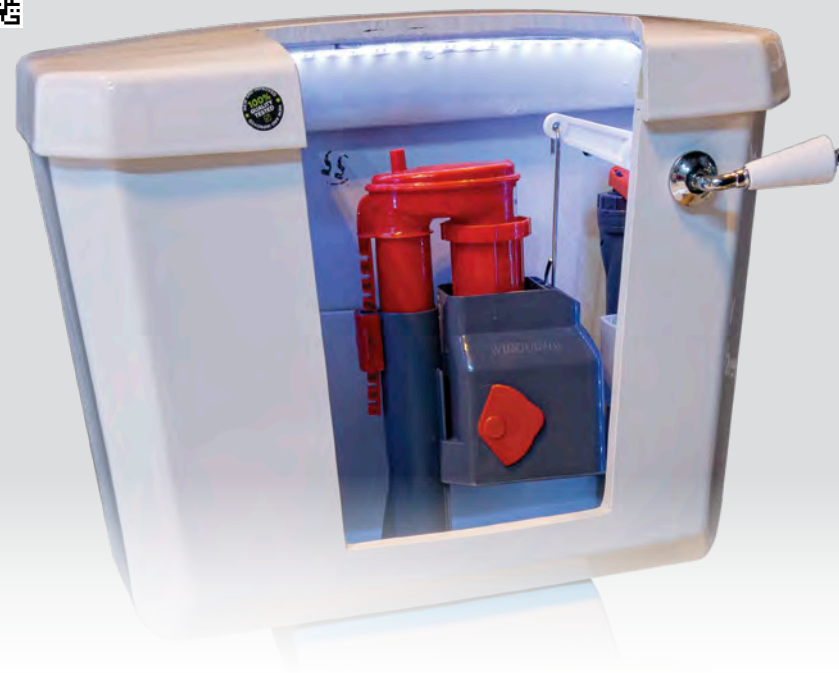
DUAL FLUSH SIPHON MACDEE MOTION



*Siphon only



- > UNIQUE FLAPPER
- > VERY COMPACT DESIGN
- > WIDEST RANGE OF HEIGHT OPTIONS ON THE MARKET
- > ADJUSTABLE FLUSH VOLUMES
- > COMES WITH 2 C-LINKS



Description	SIPHON ONLY	UNIVERSAL KIT
Reference	10120045	10120046
EAN code	5017134129816	5017134129823
Packaging	Box	Box
Box / outer / pallett	10 per outer 160 per pallet	5 per outer 120 per pallet

SIPHONS



3 PIECE SIPHON
 PACKAGING: BAG
 MULTIPLE/BOX QUANTITY: 01/10
 CONTROL SYSTEM: LEVER
 SINGLE FLUSH



HEIGHT	C-LINK		METRO RAPID - OBLONG	METRO RAPID - ROUND	METRO RAPID - SQUARE	METRO RAPID - D-SHAPE
7.5"	2 1/4"	Reference	DSY8725	DSY7125	DSY7925	DSD7125
		EAN code	5017134105209	5017134105025	5017134105124	5017134104622
8"	2 1/4"	Reference	DSY8825	DSY7225	DSY8025	DSD8225
		EAN code	5017134105216	5017134105032	5017134105131	5017134104639
8.5"	2 1/4"	Reference	DSY8875	DSY7275	-	-
		EAN code	5017134119589	5017134115154	-	-
9"	2 1/4"	Reference	DSY8925	DSY7325	DSY8125	DSD9325
		EAN code	5017134105223	5017134105049	5017134105148	5017134104646
9.5"	2 1/4"	Reference	DSY9025	DSY7425	DSY8225	DSD9425
		EAN code	5017134105230	5017134105056	5017134105155	5017134104653
10"	4 3/8"	Reference	DSY9138	-	-	DSD1538
		EAN code	5017134105247	-	-	5017134104592
10.5"	4 3/8"	Reference	DSY9238	-	-	DSD1638
		EAN code	5017134105254	-	-	5017134104608

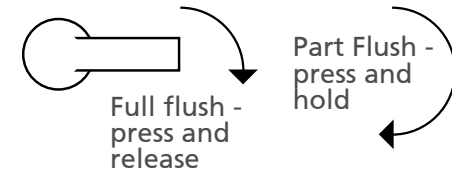
NOTE: For internal overflow measure from the base of the cistern to the waterline and add 1", ensuring that the measurement is a minimum of 10mm below any aperture in the cistern to decide what height siphon is required for the installation.

- ▶ Ideal for use in standard size cisterns
 - ▶ Metro Rapid has an easy to remove upper section allowing easy maintenance / replacement without the need to remove the cistern
 - ▶ Flush volumes can be varied between 6/7/9 litres making it suitable for replacement installations
 - ▶ All siphons come complete with siphon backnut, coupling nut, sealing washer and low level flush pipe seal as standard
 - ▶ Internal overflow
- ▶ Ideal for use with compact narrow cisterns where space may be an issue
 - ▶ Metro Rapid has an easy to remove upper section allowing easy maintenance / replacement without the need to remove the cistern
 - ▶ All siphons supplied complete with siphon backnut, coupling nut, sealing washer and low level flush pipe seal as standard
 - ▶ Internal overflow
- ▶ Square shaped siphon is ideal for installation in narrow yet deep cisterns
 - ▶ Metro Rapid has an easy to remove upper section allowing easy maintenance / replacement without the need to remove the cistern
 - ▶ All siphons come complete with siphon backnut, coupling nut, sealing washer and low level flush pipe seal as standard
 - ▶ Internal overflow
- ▶ Well suited for installation in slimline cisterns
 - ▶ Metro Rapid has an easy to remove upper section allowing easy maintenance / replacement without the need to remove the cistern
 - ▶ All siphons come complete with siphon backnut, coupling nut, sealing washer and low level flush pipe seal as standard
 - ▶ Internal overflow

SIPHONS



- ▶ The Metro range is a well established siphon offering a high level of reliability
- ▶ On the Metro, flush volume can be varied between 6/7/9 litres, making it suitable for replacement installations
- ▶ All siphons come complete with siphon backnut, coupling nut, sealing washer and low level flush pipe seal as standard
- ▶ Complete with internal overflow
- ▶ WRAS approved



Description	METRO SINGLE FLUSH			METRO DUAL FLUSH		
	7 1/2" ONE PIECE SIPHON COMPLETE WITH 2 1/4 METAL C-LINK AND LOW LEVEL FLUSHPIPE SEAL	9 1/2" ONE PIECE SIPHON COMPLETE WITH 2 1/4 METAL C-LINK AND LOW LEVEL FLUSHPIPE SEAL	10" ONE PIECE SIPHON COMPLETE WITH 4 3/8 METAL C-LINK AND LOW LEVEL FLUSHPIPE SEAL	8" ONE PIECE SIPHON COMPLETE WITH 2 1/4 METAL C-LINK AND LOW LEVEL FLUSHPIPE SEAL	8 1/2" ONE PIECE SIPHON COMPLETE WITH 2 3/4 METAL C-LINK AND LOW LEVEL FLUSHPIPE SEAL	9" ONE PIECE SIPHON COMPLETE WITH 2 1/4 METAL C-LINK AND LOW LEVEL FLUSHPIPE SEAL
Reference	DSY0125	DSY0425	DSY0538	DSY0225	DSY0275	DSY0325
EAN code	5017134104769	5017134104790	5017134104813	5017134104776	5017134120097	5017134104783
Packaging	Bag	Bag	Bag	Bag	Bag	Bag
Multiple / Box qty	01/10	01/10	01/10	01/10	01/10	01/10
Mechanism base inches	1.5	1.5	1.5	1.5	1.5	1.5
Control system	Lever	Lever	Lever	Lever	Lever	Lever

NOTE: For internal overflow measure from the base of the cistern to the waterline and add 1", ensuring that the measurement is a minimum of 10mm below any aperture in the cistern to decide what height siphon is required for the installation.

METRO SIPHON SPARES



Description	METRO RAPID OR METRO ONE SIPHON DIAPHRAGM WASHERS - OBLONG	LOW LEVEL METRO SIPHON SPARE KIT	METRO 2 1/4" METAL C-LINK	METRO 4 3/8" METAL C-LINK
Reference	10120576	10120579	10120580	10120581
EAN code	5017134147704	5017134147735	5017134147762	5017134147759
Packaging	Bag	Bag	Bag	Bag
Multiple / Box qty	Sold by 5's - Outer of 200 packs	01/80	Sold by 100's Outer of 6 packs	Sold by 100's Outer of 6 packs

INLET VALVES



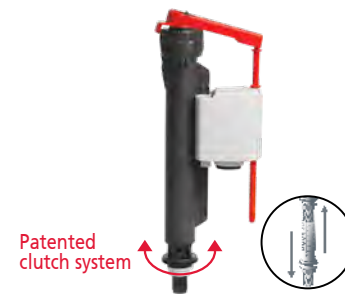
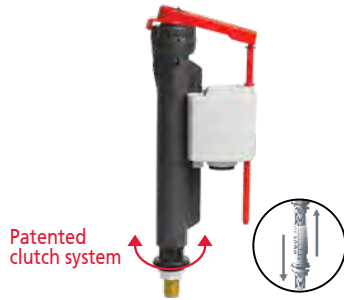
- ▶ **AIR GAP RANGE:** No joint under water level.
- ▶ **SAFE AND QUICK TO INSTALL:** WIRQUIN AIR range is designed to eliminate risk of back flow of water into mains supply.

- ▶ BS1212: Part 3
- ▶ Supplied with high and low pressure seating and backnut
- ▶ Height variation: bottom entry pedestal
- ▶ 8 1/2" to 10" and arm length 7 1/4" to 8 1/4"

Description	SILENTA AIR INLET SIDE ENTRY BALL VALVE COMPLETE WITH 8 1/4" LEVER ARM DIVERTER HIGH AND LOW PRESSURE SEATING AND BACKNUTS	SILENTA AIR INLET SIDE ENTRY BALL VALVE COMPLETE WITH 9 1/4" LEVER ARM DIVERTER HIGH AND LOW PRESSURE SEATING AND BACKNUTS	SILENTA AIR INLET BOTTOM ENTRY BALL VALVE 8 1/2" CRANKED PEDESTAL COMPLETE WITH 7 1/4" LEVER ARM DIVERTER HIGH AND LOW PRESSURE SEATING WASHER AND BACKNUT	SILENTA AIR INLET BOTTOM ENTRY BALL VALVE 9 1/2" CRANKED PEDESTAL COMPLETE WITH 7 1/4" LEVER ARM DIVERTER HIGH AND LOW PRESSURE SEATING WASHER AND BACKNUT	SILENTA AIR INLET BOTTOM ENTRY BALL VALVE 8 1/2" CRANKED PEDESTAL COMPLETE WITH 8 1/4" LEVER ARM DIVERTER HIGH AND LOW PRESSURE SEATING WASHER AND BACKNUT	SILENTA AIR INLET BOTTOM ENTRY BALL VALVE 9 1/2" CRANKED PEDESTAL COMPLETE WITH 8 1/4" LEVER ARM DIVERTER HIGH AND LOW PRESSURE SEATING WASHER AND BACKNUT	SILENTA AIR INLET BOTTOM ENTRY BALL VALVE 10" CRANKED PEDESTAL COMPLETE WITH 8 1/4" LEVER ARM DIVERTER HIGH AND LOW PRESSURE SEATING WASHER AND BACKNUT
Reference	DVS1082	DVS1092	DVS3872	DVS3972	DVS3882	DVS3982	DVS3182
EAN code	5017134105452	5017134105469	5017134105520	5017134105551	5017134105537	5017134105568	5017134105506
Packaging	Bag	Bag	Bag	Bag	Bag	Bag	Bag
Multiple / Box qty	01/75	01/75	01/50	01/50	01/50	01/50	01/50
Inlet end	1/2" Plastic	1/2" Plastic	1/2" plastic	1/2" plastic	1/2" plastic	1/2" plastic	1/2" plastic
Filling rate at 0,1 bar	1.5L/min	1.5L/min	1.5L/min	1.5L/min	1.5 L/mn	1.5L/min	1.5L/min
Functioning range	0-1 to 14 bar	0-1 to 14 bar	0-1 bar to 14	0-1 bar to 14	0-1 bar to 14	0-1 bar to 14	0-1 bar to 14
Main characteristics	complete with fittings, quick and easy to install		complete with fittings, quick and easy to install				

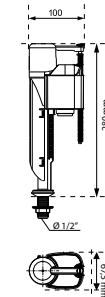
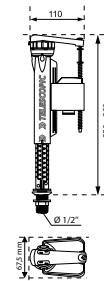
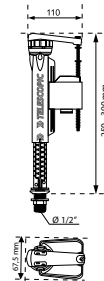
Suitable with DBS0420 or DBS0450 ball floats (See page 53)

INLET VALVES



Description	JOLLYFILL TELESCOPIC BOTTOM ENTRY INLET FLOAT VALVE		JOLLYFILL BOTTOM ENTRY INLET FLOAT VALVE
Reference	10120029	10120028	16100006
EAN code	5017134129434	5017134129311	3375537136759
Packaging	Box	Box	Bag
Multiple / Box qty	15 per outer / 300 per pallet		1 / 36
Inlet tail	1/2" Brass	1/2" Plastic	1/2" Plastic
Working range	0.1 Up to 16 bar	0.1 Up to 16 bar	0.1 Up to 16 bar
Resistant to peaks of pressure	Up to 20 bars	Up to 20 bars	Up to 20 bars
Water saving delayed action	Yes	Yes	Yes
Main characteristics	Patented clutch system against over tightening. Ultra quiet (17 decibels). Anti-siphoning. Eliminates water hammer. Water saving .		Ultra quiet (17 decibels). Anti-siphoning. Eliminates water hammer.

Technical drawing



INLET VALVES



Description	JOLLYFILL SIDE ENTRY INLET FLOAT VALVE		TOPY SIDE ENTRY INLET FLOAT VALVE	
Reference	10120033	10120034	16300601	16300501
EAN code	5017134129526	5017134129533	3375537160815	3375537161140
Packaging	Box	Box	Bag	Bag
Multiple / Box qty	15 per outer / 300 per pallet		60 per outer / 1060 per pallet	40 per outer / 1000 per pallet
Inlet end	1/2" plastic	1/2" brass	1/2" plastic	3/8" brass
Working range	0.1 up to 16 bar	0.1 up to 16 bar	0.1 up to 16 bar	0.1 up to 16 bar
Resistant to peaks of pressure	up to 20 bars	Up to 20 bars	Up to 20 bars	Up to 20 bars
Water saving delayed action	Yes	Yes	No	No
Main characteristics	180° head rotation ideal for narrow tanks. Ultra quiet (17 decibels). Anti-siphoning. Eliminates water hammer.	180° head rotation ideal for narrow tanks. Ultra quiet (17 decibels). Anti-siphoning. Eliminates water hammer.	Ultra compact.	Special for Uni Compact cistern. Ultra compact.
Technical drawing				

BALL FLOATS - SUPERFLOAT



Description	5" SPHERICAL FLOAT WITH 5/16" BSW BRASS INSERT	6" SPHERICAL FLOAT WITH 5/16" BSW BRASS INSERT	8" SPHERICAL FLOAT WITH 7/16" BSW BRASS INSERT	10" SPHERICAL FLOAT WITH 9/16" BSW BRASS INSERT	12" SPHERICAL FLOAT WITH 5/8" BSW BRASS INSERT
Reference	DBS0540	DBS0640	DBS0840	DBS1040	DBS1240
EAN code	5017134102918	5017134102949	5017134102987	5017134102994	5017134103007
Packaging	Bag	Bag	Bag	Bag	Bag
Multiple / Box qty	120 per outer / 600 per pallet	50 per outer / 300 per pallet	20 per outer / 100 per pallet	10 per outer / 50 per pallet	5 per outer / 25 per pallet

BALL FLOATS - SUPERFLOAT



Description	4 1/2" SPHERICAL FLOAT WITH 5/16" BSW BRASS INSERT, PACKED AND SOLD IN 10S	4 1/2" SPHERICAL FLOAT WITH PLASTIC THREADS, PACKED AND SOLD IN 10S	4 1/2" CYLINDRICAL FLOAT WITH PLASTIC THREADS, PACKED AND SOLD IN 10S
Reference	DBS0420	DBS0450	DBC0440
EAN code	5017134102864	5017134102901	5017134102796
Packaging	Bag	Bag	Bag
Multiple / Box qty	10 per outer / 900 per pallet	10 per outer / 900 per pallet	10 per outer / 900 per pallet

Suitable with all Silenta Air inlet valves

URINAL Flushing

URINAL BOWL PIPEWORK (EXCLUDING SPREADERS)

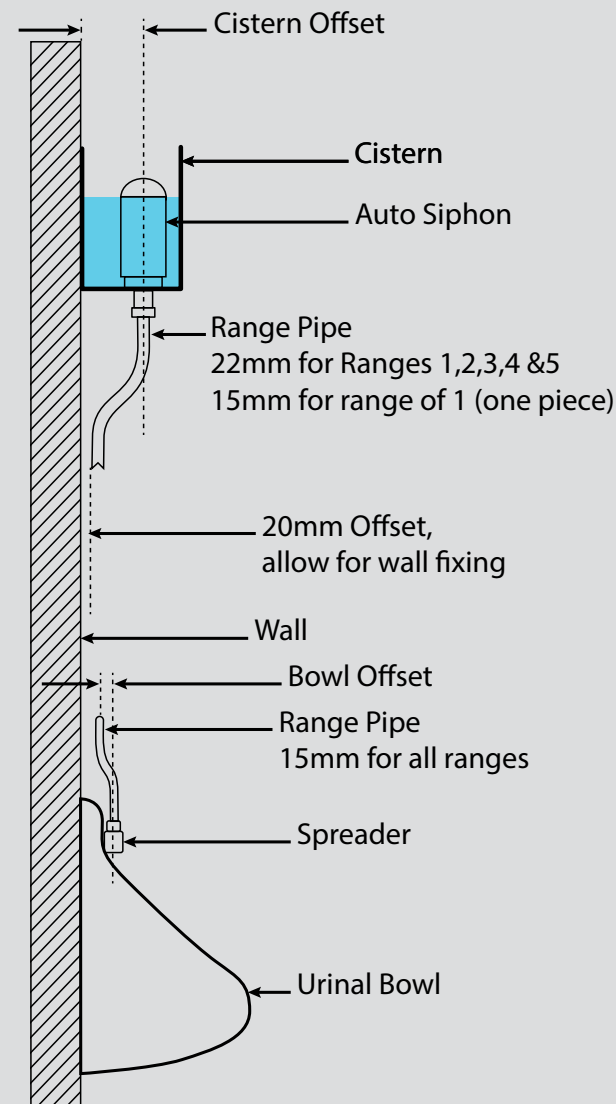
Choosing the correct range for your installation

Cistern Offset

- ▶ The cistern offset is the distance from the back of the wall to the centre of the cistern hole. Please note that for any measurements outside of the sizes stated, the nearest one should be used. For example if the measurement is 70mm, the required offset would be 74mm.

Bowl Offset

- ▶ The bowl offset is determined by the distance required to allow the 15mm pipe to fit the suitable spreader when fixed to the urinal bowl. Concealed installations will generally have no offsets.



NO. OF BOWLS X OFFSET	74MM CISTERN OFFSET	90MM CISTERN OFFSET
1 X NO OFFSET	UFA11CP	UFA21CP
1 X 23MM OFFSET	UFA12CP	UFA22CP
2 X NO OFFSET	UFB11CP	UFB21CP
2 X 23MM OFFSET	UFB12CP	UFB22CP
3 X NO OFFSET	UFC11CP	UFC21CP
3 X 23MM OFFSET	UFC12CP	UFC22CP
4 X NO OFFSET	-	UFD21CP
4 X 23MM OFFSET	UFD12CP	UFD22CP
MAIN CHARACTERISTICS	SUITABLE FOR MOST CERAMIC CISTERNS	SUITABLE WITH ALL SILENTA AIR INLET VALVES

BRASS BODY

PLASTIC BODY



Description	1 1/2" STAINLESS STEEL DOME, PLASTIC BACKNUT	1 1/4" PLASTIC BACKNUT	1 1/2" PLASTIC BACKNUT	1 1/2" PLASTIC BACKNUT
Reference	WUS02SS	WUS51WH	WUS52WH	WUS54WH
EAN code	5024139096814	5024139006370	5024139006363	7654321019697
Packaging	Box	Bag	Bag	Bag
Multiple / Box qty	01/50	01/10	01/10	01/10
Tail length mm	88 mm	50 mm	50 mm	90 mm
Technical drawing				

AUTO SIPHONS



- ▶ Suitable for concealed or exposed plastic or ceramic cisterns
- ▶ Easy to remove siphon for routine maintenance
- ▶ Compatible with Wirquin urinal flushing range



URINAL SPREADERS



Description	1" OUTLET			1/2" PETCOCK	EXPOSED ONLY		CONCEALED ONLY
	1 GALLON/4.5L	2 GALLON/9L	3 GALLON/13.6L		15MM TOP INLET	15MM SANURA TOP INLET	15MM BACK INLET, 3" TAIL
Reference	10120572	10120573	10120574	10120575	USB36CP	UST43CP	USB38CP
EAN code	5017134147667	5017134147674	5017134147681	5017134147698	5024139100719	5024139078964	5024139073006
Packaging	Bag	Bag	Bag	Bag	Bag	Bag	Bag
Multiple / Box qty	25 per outer / 500 per pallet	25 per outer / 500 per pallet	25 per outer / 500 per pallet	25 per outer / 500 per pallet	1	1	1

SPARES AND ACCESSORIES



Description	JOLLYFLUSH OVERFLOW WASHER FOR FLUSHING (MOQ 5)	JOLLYFLUSH DUAL FLUSH CHROME PUSH BUTTON (GREY CABLE) (MOQ 5)	JOLLYFLUSH DUAL FLUSH CHROME PUSH BUTTON (FOR WHITE, GREEN OR BLUE CABLE)	JOLLYFLUSH SINGLE FLUSH CHROME PUSH BUTTON***	JOLLYFLUSH DOC M SINGLE FLUSH CHROME PUSH BUTTON***	JOLLYFLUSH GREY CABLE FOR MW2 AND JOLLYFLUSH FLUSHING VALVE	KARA 72MM CHROME DUAL FLUSH PUSH BUTTON*	KARA 50MM CHROME DUAL FLUSH PUSH BUTTON*	KARA 50MM CHROME SINGLE FLUSH PUSH BUTTON**	SILENTA BALL VALVE DIAPHRAGM WASHER	JOLLYFILL AND TOPY DIAPHRAGM WASHER (SOLD IN 5S)
Reference	10717748	10717795	19008001	19007001	10717796	19080001	SYG610CP	SYG611CP	SYG609CP	10120582	10717797
EAN code	3375537177158	3375537177622	3375539046223	3375539046216	3375537177639	3375537162505	5017134119343	5017134119350	5017134119374	5017134147766	3375537177646
Packaging	Bag	Bag	Bag	Bag	Bag	Bag	Bag	Bag	Bag	Bag	Bag
Multiple / Box qty	5	1	1	1	1	1	1	1	1	10	1

*Compatible with Kayla dual flush pneumatic flush valve only. **Compatible with Kayla single flush pneumatic valve only. *** Compatible with Jollyflush cable valve only.

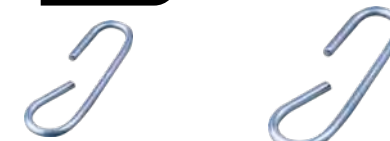
DIAPHRAGMS



SIPHON SPARES



C-LINKS



Description	METRO RAPID OR METRO ONE SIPHON DIAPHRAGM WASHER - OBLONG	METRO RAPID DIAPHRAGM WASHER - SQUARE	METRO RAPID DIAPHRAGM - WASHER - ROUND	METRO RAPID DIAPHRAGM WASHER - D SHAPE	LOW LEVEL METRO SIPHON SPARE KIT	METRO 2 1/4" METAL C-LINK	METRO 4 3/8" METAL C-LINK
Reference	10120576	10120568	10120577	10120578	10120579	10120580	10120581
EAN code	5017134147704	5017134147629	5017134147711	5017134147728	5017134147735	5017134147762	5017134147759
Packaging	Bag	Bag	Bag	Bag	Bag	Bag	Bag
Multiple / Box qty	05 individual / 1000 per outer / 4000 per pallet				01/80	Sold by 100's Outer of 6 packs	

CISTERNS

A RANGE FOR ALL APPLICATIONS,
FROM RESIDENTIAL TO COMMERCIAL,
NEW BUILD TO RETROFIT

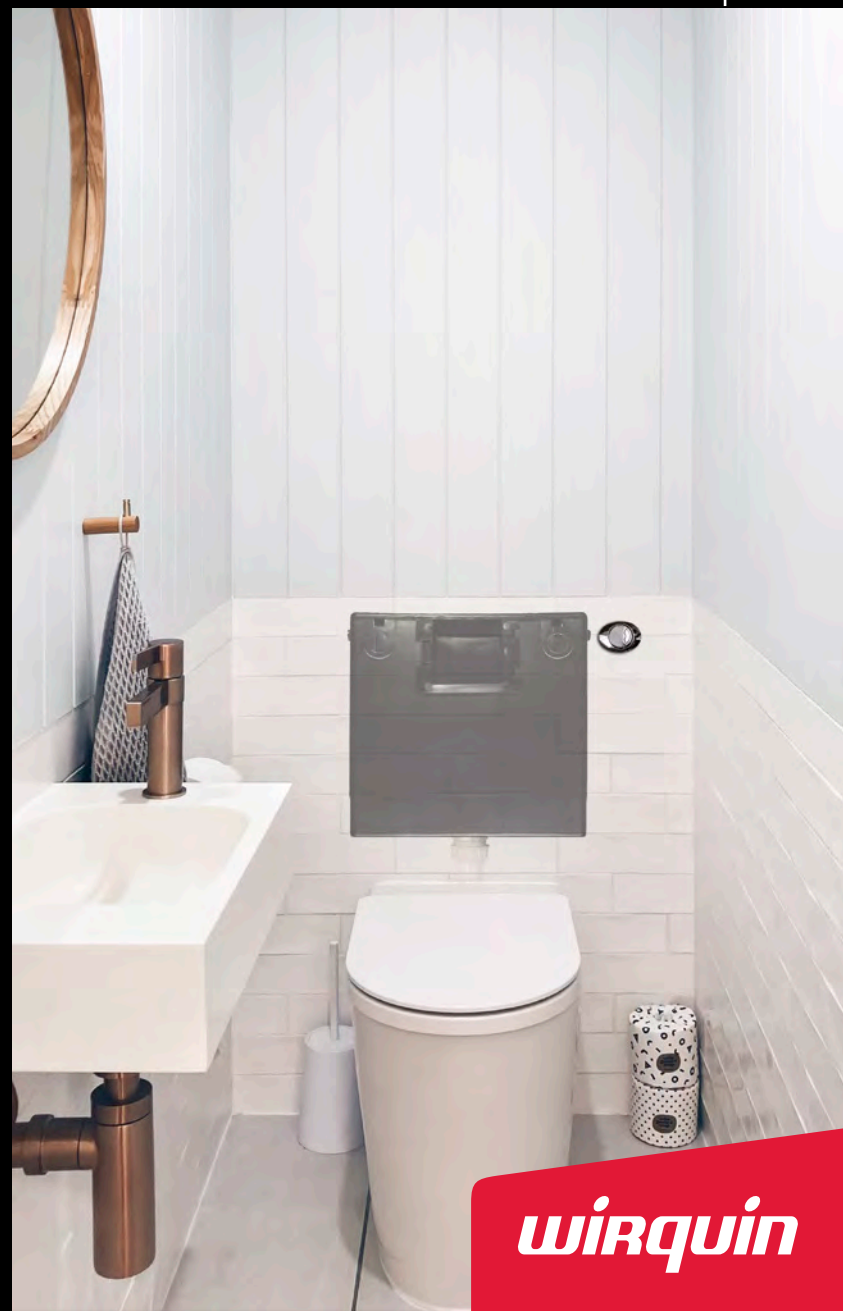
CONCEALED



EXPOSED



AUTO



wirquin

CONCEALED CISTERN DUO COMPACT

- ▶ Most compact cistern on the market
- ▶ Ideal for bathroom furniture and in wall installations
- ▶ Water saving - dual flush valve and delayed action inlet valve
- ▶ Fittings and flushpipe included
- ▶ W - 336mm x H - 320mm x D - 140mm

*Flushing Valve



CDC52CP



Reference	CDC52CP	CDC53CP	CDC40CP	CDC41CP	CDC71CP
EAN code	5017134115468	5017134117837	5017134119817	5017134119824	5017134118193
Packaging	Box	Box	Box	Box	Box
Pallet	1/54	1/54	1/54	1/54	1/54
Outlet	1 1/2"	2"	1 1/2"	2"	2"
Flush	Dual Flush Kayla - Cable	Dual Flush Kayla - Cable	Dual Flush Kayla - Cable	Dual Flush Kayla - Cable	Dual Flush Kayla - Cable
Flush volumes	6/4l + 4/2.6l	6/4l + 4/2.6l	6/4l + 4/2.6l	6/4l + 4/2.6l	6/4l + 4/2.6l
Inlet	Side Entry Jollyfill with bottom entry flexi-hose	Side Entry Jollyfill with bottom entry flexi-hose	Side Entry Jollyfill	Side Entry Jollyfill	Bottom Entry Jollyfill
Access	Front & Top	Front & Top	Front & Top	Front & Top	Front & Top
Internal overflow	✓	✓	✓	✓	✓
Isolation valve	✓	✓	x	x	x
Assembled	✓	✓	x	x	x
Button	Chrome	Chrome	Chrome	Chrome	Chrome
Spares & accessories	Refer to page 74				

CONCEALED CISTERN DUO COMPACT

- ▶ Most compact cistern on the market
- ▶ Ideal for bathroom furniture and in wall installations
- ▶ BS 1212-4 compliant Aquasave Air inlet valve
- ▶ Water saving dual flush valve and delayed action inlet valve
- ▶ Fittings and flushpipe included
- ▶ W - 336mm x H - 320mm x D - 140mm

*Flushing & Inlet Valve



Reference	50120588	CDC41CP-AG	CDC71CP-AG
EAN code	5017134147827	5017134147865	5017134147872
Packaging	Box	Box	Box
Pallet	1/54	1/54	1/54
Outlet	2"	2"	2"
Flush	Dual Flush Kayla - Cable	Dual Flush Kayla - Cable	Dual Flush Kayla - Cable
Flush volumes	6/4l + 4/2.6l	6/4l + 4/2.6l	6/4l + 4/2.6l
Inlet	Side Entry Aquasave Air	Side Entry Aquasave Air	Bottom Entry Aquasave Air
Access	Front & Top	Front & Top	Front & Top
Internal overflow	✓	✓	✓
Isolation valve	✓ Incl flexi hose	x	x
Assembled	✓	x	x
Button	Chrome	Chrome	Chrome
Spares & accessories	Refer to page 74		

CONCEALED CISTERN DUO COMPACT

- ▶ Most compact cistern on the market
- ▶ Ideal for bathroom furniture and in wall installations
- ▶ BS 1212-4 compliant Aquasave Air inlet valve
- ▶ Water saving dual flush valve and delayed action inlet valve
- ▶ Fittings and flushpipe included
- ▶ W - 336mm x H - 320mm x D - 140mm

*Flushing & Inlet Valve

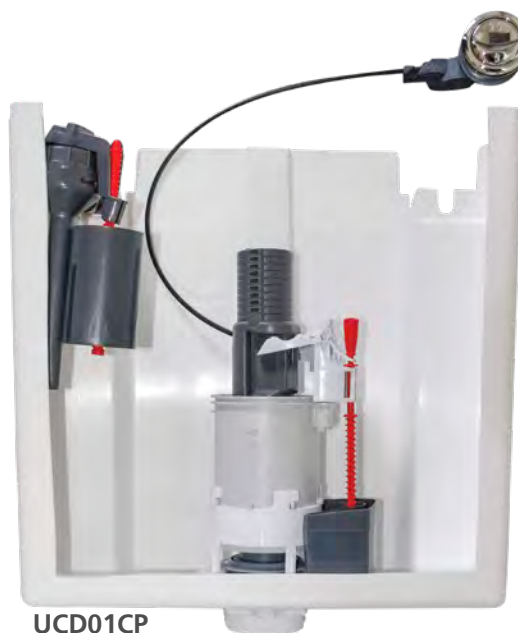

**BS 1212-4
COMPLIANT**


Reference	50120589	50120590
EAN code	5017134147834	5017134147841
Packaging	Box	Box
Pallet	1/54	1/54
Outlet	2"	2"
Flush	Dual Flush Jollyflush – Cable	Dual Flush Jollyflush – Cable
Flush volumes	6/4 + 4/2.6l	6/4 + 4/2.6l
Inlet	Side Entry Aquasave Air	Side Entry Aquasave Air
Access	Top	Top
Internal overflow	✓	✓
Isolation valve	✗	✗
Assembled	✓	✓
Button	Chrome Plate	Infrared Sensor
Spares & accessories	Refer to page 74	

CONCEALED CISTERN UNI COMPACT

- ▶ Front or top fix button operation
- ▶ Reversible inlet valve positioning - left or right hand feed
- ▶ Suitable for bottom or side feed
- ▶ Water saving - dual flush valve
- ▶ Fittings and flushpipe included
- ▶ W - 340mm x H - 350mm x D - 130mm

*Flushing Valve



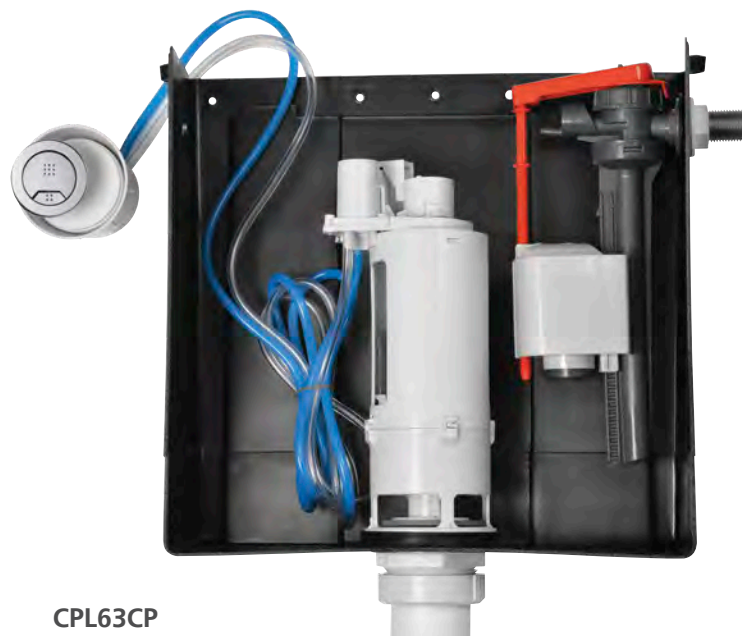
UCD01CP

Reference	UCD01CP	UCD02CP	UCD03CP
EAN code	5017134120509	5017134120516	5017134128352
Packaging	Box	Box	Box
Pallet	1/54	1/54	1/54
Outlet	2"	2"	2"
Flush	Dual Flush Jollyflush - Cable	Dual Flush Jollyflush - Cable	Jollytronic Cable - Eco Flush
Flush volumes	6/4l + 4/2.6l	6/4l + 4/2.6l	Eco Flush Sensor - control how much you flush up to 6L
Inlet	Side Entry Topy with braided flexi-hose	Side Entry Topy with braided flexi-hose	Side Entry Topy with braided flexi-hose
Access	Front & Top	Front & Top	Front & Top
Internal overflow	✓	✓	✓
Isolation valve	✓	✓	✓
Assembled	Part	Part	Part
Button	Chrome Button	Chrome Plate	Infrared Sensor

CONCEALED CISTERN PNEU COMPACT

- ▶ Ideal for bathroom furniture and in wall installations
- ▶ Water saving - dual / single flush valve options and delayed action inlet valve
- ▶ 1.5m air hose
- ▶ Fittings and flushpipe included
- ▶ W - 336mm x H - 320mm x D - 140mm

*Flushing Valve



CPL63CP



Reference	CPL41CP	CPL43CP	CPL61CP	CPL62CP	CPL63CP
EAN code	5017134114546	5017134120219	5017134119435	5017134119473	5017134119497
Packaging	Box	Box	Box	Box	Box
Pallet	1/54	1/54	1/54	1/54	1/54
Outlet	1 1/2"	1 1/2"	2"	2"	2"
Flush	Single Flush Kayla - Pneumatic	Single Flush Kayla - Pneumatic	Dual Flush Kayla - Pneumatic	Dual Flush Kayla - Pneumatic	Dual Flush Kayla - Pneumatic
Flush volumes	6l, 5l + 4l	6l, 5l + 4l	6/5l, 5/3l + 4/2.6l	6/5l, 5/3l + 4/2.6l	6/5l, 5/3l + 4/2.6l
Inlet	Side Entry Jollyfill	Bottom Entry Jollyfill	Side Entry Jollyfill	Bottom Entry Jollyfill	Side Entry Jollyfill
Access	Front & Top	Front & Top	Front & Top	Front & Top	Front & Top
Internal overflow	✓	✓	✓	✓	✓
Isolation valve	x	x	x	x	x
Assembled	✓	✓	✓	✓	✓
Button	Chrome - 50mm Kara	Chrome - 50mm Kara	x	x	Chrome - 72mm Kara
Spares & accessories	Refer to page 74				

CONCEALED CISTERN PNEU COMPACT

- ▶ Ideal for bathroom furniture and in wall installations
- ▶ BS 1212-4 compliant Aquasave Air inlet valve
- ▶ Water saving dual flush valve and delayed action inlet valve
- ▶ 1.5m air hose
- ▶ Fittings and flushpipe included
- ▶ W - 336mm x H - 320mm x D - 140mm

*Flushing & Inlet Valve



Reference	CPL41CP-AG	CPL43CP-AG	CPL61CP-AG	CPL62CP-AG	CPL63CP-AG
EAN code	5017134147896	5017134147902	5017134147919	5017134147926	5017134147933
Packaging	Box	Box	Box	Box	Box
Pallet	1/54	1/54	1/54	1/54	1/54
Outlet	1 1/2"	1 1/2"	2"	2"	2"
Flush	Single Flush Kayla - Pneumatic	Single Flush Kayla - Pneumatic	Dual Flush Kayla - Pneumatic	Dual Flush Kayla - Pneumatic	Dual Flush Kayla - Pneumatic
Flush volumes	6l, 5l + 4l	6l, 5l + 4l	6/5l, 5/3l + 4/2.6l	6/5l, 5/3l + 4/2.6l	6/5l, 5/3l + 4/2.6l
Inlet	Side Entry Aquasave Air	Bottom Entry Aquasave Air	Side Entry Aquasave Air	Bottom Entry Aquasave Air	Side Entry Aquasave Air
Access	Front & Top	Front & Top	Front & Top	Front & Top	Front & Top
Internal overflow	✓	✓	✓	✓	✓
Isolation valve	x	x	x	x	x
Assembled	✓	✓	✓	✓	✓
Button	Chrome - 50mm Kara	Chrome - 50mm Kara	x	x	Chrome - 72mm Kara
Spares & accessories	Refer to page 74				

CONCEALED CISTERN

HIDEAWAY

- ▶ Traditional cistern ideal for installations behind deep ducted walls
- ▶ Varying length levers to suit different wall thicknesses
- ▶ Water saving siphon
- ▶ Metro Rapid (dual flush) allows for easy maintenance without removing the cistern
- ▶ Fittings and flushpipe included
- ▶ W - 505mm x H - 312mm x D - 146mm

*Siphon & Inlet Valve



CFH14DF



BS 1212-3
COMPLIANT



Reference	CFH14DF	CFH16DF	CFH14CP	CFH15CP	CFH2000	CFH16CP	CFH2100
EAN code	5017134119633	5017134119640	5017134101348	5017134101355	5017134101409	5017134101379	5017134101416
Packaging	Box	Box	Box	Box	Box	Box	Box
Pallet	1/40	1/40	1/40	1/40	1/40	1/40	1/40
Outlet	1 1/2"	1 1/2"	1 1/2"	1 1/2"	1 1/2"	1 1/2"	1 1/2"
Flush	Dual Flush Metro Rapid Siphon	Dual Flush Metro Rapid Siphon	Single Flush Metro Siphon	Single Flush Metro Siphon	Single Flush Metro Siphon	Single Flush Metro Siphon	Single Flush Metro Siphon
Flush volumes	6/4l	6/4l	6l, 7l + 9l	6l, 7l + 9l	6l, 7l + 9l	6l, 7l + 9l	6l, 7l + 9l
Inlet	Side Entry Silenta Part 3 Ball Valve	Bottom Entry Silenta Part 3 Ball Valve	Side Entry Silenta Part 3 Ball Valve	Side Entry Silenta Part 3 Ball Valve	Side Entry Silenta Part 3 Ball Valve	Bottom Entry Silenta Part 3 Ball Valve	Bottom Entry Silenta Part 3 Ball Valve
Access	Top	Top	Top	Top	Top	Top	Top
Internal overflow	✓	✓	✓	✓	✓	✓	✓
Isolation valve	x	x	x	x	x	x	x
Assembled	x	x	x	x	x	x	x
Button	Chrome, 210mm	Chrome, 210mm	Chrome, 210mm	Chrome, 340mm	No Lever	Chrome, 210mm	No Lever
Spares & accessories	Refer to page 71 & 74						

CONCEALED CISTERN HIDEAWAY AUTO

- ▶ Used with urinals where a concealed auto flush is required
- ▶ Suitable for both new and retrofit installations
- ▶ Compatible with our extensive range of urinal pipework and spreaders, refer to page 54 + 55
- ▶ W - 505mm x H - 312mm x D - 146mm

*Auto siphon



Reference	CFH0900	CFH1000	CFH0800
EAN code	5017134101317	5017134101324	5017134101300
Packaging	Box	Box	Box
Pallet	1/40	1/40	1/40
Outlet	1"	1"	1"
Flush	Auto Siphon	Auto Siphon	Auto Siphon
Flush volumes	1 gallon / 4.5l	2 gallon / 9l	3 gallon / 13.6l
Inlet	Petcock	Petcock	Petcock
Access	Top	Top	Top
Suitable for	1 Bowl	2 Bowls	3 Bowls
Spares & accessories	Refer to page 54 + 55		

EXPOSEDED CISTERN

ELAN

- ▶ No1 exposed cistern on the market
- ▶ Ideal for both new and retrofit installations
- ▶ Lid fixing bolt for added security
- ▶ Fittings and flushpipe included (low level only)
- ▶ W - 505mm x H - 327mm x D - 150mm

*Siphon & Inlet Valve



BS 1212-3
COMPLIANT



CFE41WH

Reference	CFE41WH	CFE51WH	CFE02WH
EAN code	5018787380029	5018787350022	5018787340023
Packaging	Box	Box	Box
Pallet	1/40	1/40	1/40
Outlet	1 1/2"	1 1/2"	1 1/2"
Flush	Single Flush Metro Siphon	Single Flush Metro Siphon	Single Flush Metro Siphon
Flush volumes	6l, 7l + 9l	6l, 7l + 9l	6l, 7l + 9l
Inlet	Side Entry Silenta Part 3 Ball Valve	Bottom Entry Silenta Part 3 Ball Valve	Side Entry Silenta Part 3 Ball Valve
Level	Low	Low	High
Access	Top	Top	Top
Overflow	Internal	Internal & External	Internal & External
Assembled	x	x	x
Lever	Chrome	Chrome	Cord & Pull
Spares & accessories	Refer to page 75		

EXPOSEDED CISTERN

ELAN AUTO

- ▶ Used with urinals where an exposed auto flush is required
- ▶ Suitable for both new and retrofit installations
- ▶ Compatible with our extensive range of urinal pipework and spreaders, refer to page 54 + 55
- ▶ W - 505mm x H - 327mm x D - 150mm

*Auto siphon



Reference	CFE09WH	CFE10WH	CFE08WH
EAN code	5018787390028	5018787400024	5018787370020
Packaging	Box	Box	Box
Pallet	1/40	1/40	1/40
Outlet	1"	1"	1"
Flush	Auto Siphon	Auto Siphon	Auto Siphon
Flush volumes	1 gallon / 4.5l	2 gallon / 9l	3 gallon / 13.6l
Inlet	Petcock	Petcock	Petcock
Access	Top	Top	Top
Suitable for	1 Bowl	2 Bowls	3 Bowls
Spares & accessories	Refer to page 54 + 55		

EXPOSEDED CISTERN

CONCORD

- ▶ Ideal for both new and retrofit installations
- ▶ Fittings and flushpipe included (low level only)
- ▶ W - 455mm x H - 318mm x D - 155mm

*Siphon & Inlet Valve



BS 1212-3
COMPLIANT



CCD41WH

Reference	CCD41WH	CCD51WH	CCD02WH
EAN code	5018787720023	5018787730022	5018787760029
Packaging	Box	Box	Box
Pallet	1/56	1/56	1/56
Outlet	1 1/2"	1 1/2"	1 1/2"
Flush	Single Flush Metro Siphon	Single Flush Metro Siphon	Single Flush Metro Siphon
Flush volumes	6l, 7l + 9l	6l, 7l + 9l	6l, 7l + 9l
Inlet	Side Entry Silenta Part 3 Ball Valve	Bottom Entry Silenta Part 3 Ball Valve	Side Entry Silenta Part 3 Ball Valve
Level	Low	Low	High
Access	Top	Top	Top
Internal overflow	✓	✓	✓
Assembled	✗	✗	✗
Lever	Chrome	Chrome	Cord & Pull
Spares & accessories	Refer to page 75		

EXPOSEDED CISTERN

CONCORD AUTO

- ▶ Used with urinals where an exposed auto flush is required
- ▶ Suitable for both new and retrofit installations
- ▶ Compatible with our extensive range of urinal pipework and spreaders, refer to page 54 + 55
- ▶ W - 455mm x H - 318mm x D - 155mm

*Auto siphon



Reference	CCD09WH	CCD10WH
EAN code	5018787700025	5018787740021
Packaging	Box	Box
Pallet	1/56	1/56
Outlet	1"	1"
Flush	Auto Siphon	Auto Siphon
Flush volumes	1 gallon / 4.5l	2 gallon / 9l
Inlet	Petcock	Petcock
Access	Top	Top
Suitable for	1 Bowl	2 Bowls
Spares & accessories	Refer to page 54 + 55	

EXPOSEDED CISTERN LONDON

- ▶ Modern design cistern with in-built push lever
- ▶ Suitable for both low and high level installations
- ▶ Ideal for heavy traffic areas
- ▶ Fittings and flushpipe included
- ▶ W - 425mm x H - 359mm x D - 154mm
- ▶ Compatible with squat pans

*Flushing & Inlet Valve



**BS 1212-3
COMPLIANT**



Reference	50120150
EAN code	5017134132007
Packaging	Box
Pallet	1/105
Outlet	1 1/2"
Flush	Single Flush Valve
Flush volumes	6l
Inlet	Side Entry Silenta Part 3 Ball Valve
Level	Low or High
Access	Top
Internal overflow	✓
Assembled	x
Lever	In-built push lever or cord and pull

CISTERN LEVERS



Description	SOFIA - CHROME PLATED METAL FINGERTIP LEVER, 115MM	SOFIA - CHROME PLATED PLASTIC LEVER, 115MM	PARIS - CHROME PLATED METAL FINGERTIP LEVER, 105MM	PLASTIC UNIVERSAL ADJUSTABLE ARM	200MM X 5/16" EXTENSION BAR
Reference	DCA01CP	DCA15CP	DCC05CP	DCA1700	LMZ2000
EAN code	5017134103076	5017134103380	507134128826	5017134103403	507134128833
Multiple / Box QTY	01 / 80	01 / 200	01 / 70	01 / 300	01 / 50

DOC-M CISTERN LEVERS

HIDEAWAY CISTERN LEVERS



Description	CHROME METAL EASY USE LEVER	CHROME METAL 210MM LEVER KIT	CHROME METAL 340MM LEVER KIT	CHROME METAL 420MM LEVER KIT
Reference	DCA52CP	DCA66CP	DCA67CP	DCA39CP
EAN code	5017134128840	5017134103625	5017134103656	5017134103533
Multiple / Box QTY	01 / 38	01 / 35	01 / 30	01 / 24

FLUSHPIPES



Description	WHITE 3 1/2" X 7 1/2" (LOW LEVEL) FLUSHPIPE	WHITE 18" X 18" (LOW LEVEL) FLUSHPIPE	WHITE 24" X 18" (LOW LEVEL) FLUSHPIPE	WHITE 24" X 24" (LOW LEVEL) FLUSHPIPE	WHITE 5" 6" TWO PIECE HIGH LEVEL (BACK WALL) FLUSHPIPE	WHITE 7" 0" THREE PIECE HIGH LEVEL (SIDE WALL) FLUSHPIPE
Reference	DFP01WH	DFP05WH	DFP08WH	DFP09WH	DFP10WH	DFP12WH
EAN code	5017134104011	5017134104172	5017134104196	5017134104202	5017134104226	5017134104240
Multiple / Box QTY	01 / 70	01 / 10	01 / 10	01 / 10	01	01

FLUSHPIPES



FLUSHING ACCESSORIES



Description	WHITE EXTENDED 2" TO 1 1/2" FLUSHPIPE (352MM X 510MM) COMPLETE WITH FLUSH BUNG	FLEXIBLE 2" FLUSHPIPE (WHITE)	FLEXIBLE 1 1/2" FLUSHPIPE (WHITE)	FLUSHPIPE UNIVERSAL PUSH OVER CONNECTOR	FLUSHPIPE UNIVERSAL BUNG
Reference	DFP215WH	59050001	59050101	DFC1800	59180004
EAN code	5017134128376	3375539053832	3375539076497	5017134103816	3375537160884
Multiple / Box QTY	01 / 40	01 / 25	01 / 25	01 / 300	01 / 100

CISTERN ACCESSORIES



Description	WHITE BLANKING OFF PLUG COMPLETE WITH WASHER AND BACKNUT	CHROME PLATED BLANKING OFF PLUG COMPLETE WITH WASHER AND BACKNUT	CLOSE COUPLING KIT (1 1/2" OUTLET) COMPLETE WITH CLOSE COUPLING WASHER	STEPPED CONICAL CLOSE COUPLING WASHER (RUBBER) 1 1/2" (200'S)	PLAIN CONICAL CLOSE COUPLING WASHER (RUBBER) 1 1/2" (200'S)	CLOSE COUPLING WASHER 120MM X 57MM X 20MM (FOAM) 1 1/2" OUTLET (80'S)	CLOSE COUPLING WASHER 99MM X 57MM X 20MM (FOAM) 1 1/2" OUTLET (80'S)	CLOSE COUPLING WASHER 110MMX 70MM X 20MM (FOAM) 2" OUTLET (80'S)	GALVANISED CISTERN SUPPORT BRACKET	CLOSE COUPLING WASHER FOR 2" OUTLET	BOLTED CLOSE COUPLING KIT
Reference	DCA45WH	DCA45CP	DCP1400	50120622	50120623	50120616	50120617	50120618	50120571	M32	10717751
EAN code	5017134103557	5017134103540	5017134103731	5017134148169	5017134148176	5017134148107	5017134148114	5017134148121	5017134147650	3375530070210	3375537160891
Multiple / Box QTY	01 / 300	01 / 300	01	01 / 200	01 / 200	01 / 80	01 / 80	01 / 80	01 / 200	01 / 300	01 / 120

PLUMBING ACCESSORIES



Description	1/2" TAP AND BALL VALVE WASHERS (100'S)	3/4" TAP AND BALL VALVE WASHER (100'S)	3/4" OVERFLOW RUBBER WASHER (100'S)	2 3/8" X 1 11/16" 1 1/4" LAVATORY WASHER (100'S)	3 1/2" X 1 15/16" 1 1/2" SINK WASHER (100'S)	UNIVERSAL TOP HAT SPACERS 3/4" TO 1/2" (100'S)
Reference	DPA0900	DPA1000	50120620	DPA1200	DPA1600	DPA1700
EAN code	5017134104387	5017134104394	5017134148145	5017134104417	5017134104455	5017134104462
Multiple / Box QTY	01	01	01	01	01	01

CONCEALED CISTERN SPARES + ACCESSORIES



Description	DUO COMPACT				
	2" TO 1 1/2" KAYLA FLUSH VALVE	JOLLYFILL TELESCOPIC BOTTOM ENTRY INLET FLOAT VALVE	JOLLYFILL SIDE ENTRY INLET FLOAT VALVE	ROUND DUAL FLUSH PUSH BUTTON	OVAL DUAL FLUSH PUSH BUTTON
Reference	DVA0100	10120028	10120033	50120569	50120570
EAN code	5017134115376	5017134129311	5017134129526	5017134147636	5017134147643

HIDEAWAY					
METRO RAPID SINGLE FLUSH 8.5" SIPHON	SILENTA SIDE ENTRY INLET VALVE	BOTTOM ENTRY INLET VALVE	210MM CHROME LEVER KIT	340MM CHROME LEVER KIT	420MM CHROME LEVER KIT
DSY8875	DVS1092	DVF5200	DCA66CP	DCA67CP	DCA39CP
5017134119671	5017134105384	5017134105391	5017134103625	5017134103656	5017134103533



Description	PNEU COMPACT							
	1 1/2" KAYLA SINGLE FLUSH VALVE	2" KAYLA DUAL FLUSH VALVE	JOLLYFILL TELESCOPIC BOTTOM ENTRY INLET FLOAT VALVE	JOLLYFILL SIDE ENTRY INLET FLOAT VALVE	KARA SINGLE FLUSH BUTTON - 50MM	KARA DUAL FLUSH BUTTON - 72MM	KARA DUAL FLUSH BUTTON - 50MM	CASPIA DUAL FLUSH PUSH PLATE - CHROME
Reference	DVA5350	DVA5200	10120028	10120033	SYG609CP	SYG610CP	SYG611CP	SYG612CP
EAN code	5017134120462	5017134119459	5017134129311	5017134129526	5017134119374	5017134119343	5017134119350	5017134119138

EXPOSED CISTERN SPARES + ACCESSORIES

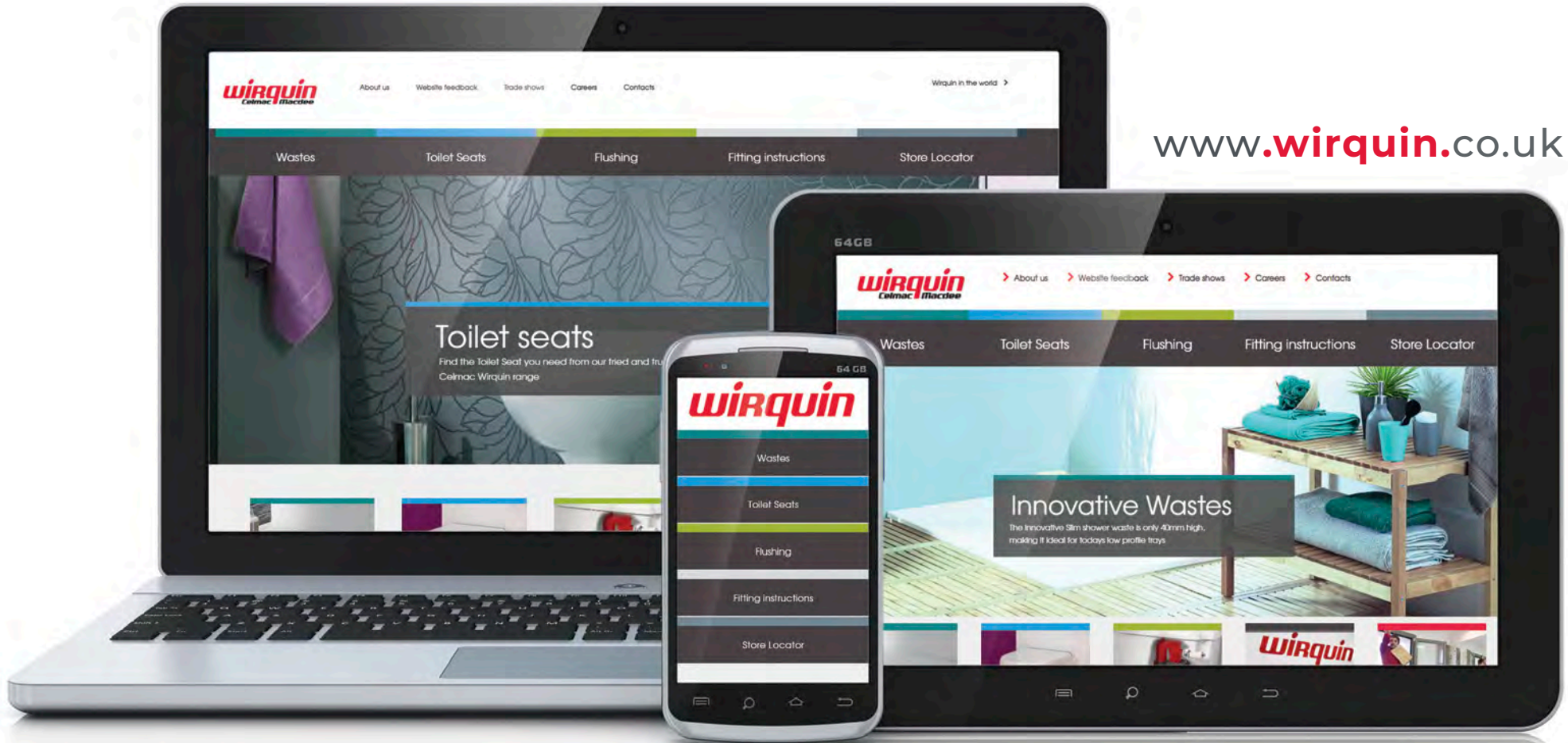


	ELAN			
Description	8 1/2" ONE PIECE METRO SIPHON & FIXING KIT	SILENTA SIDE ENTRY INLET VALVE	BOTTOM ENTRY SILENTA INLET VALVE	115MM CHROME PLASTIC LEVER
Reference	DSY2138	DVS1092	DVF5200	DCA15CP
EAN code	5017134104929	5017134105384	5017134105391	5017134103380

	CONCORD				
Description	8" ONE PIECE METRO SIPHON & FIXING KIT	SIDE ENTRY SILENTA INLET VALVE	BOTTOM ENTRY SILENTA INLET VALVE	115MM CHROME PLASTIC LEVER	HIGH LEVEL LEVER KIT WITH METAL CHAIN & WOODEN PULL
Reference	DSY0225	DVS1082	DVS3972	DCA15CP	DCA09CP
EAN code	5017134104776	5017134105452	5017134128789	5017134103380	5017134111613



	TANKS			
Description	4 GALLON/18 LITRE TANK	4 GALLON/18 LITRE TANK LID	BYELAW 30 KIT ENGLAND & WALES	BYELAW 60 KIT SCOTLAND
Reference	TTR0400	TLR0400	TBL3000	TBL6000
EAN code	5017134107258	5017134107067	5017134128857	5017134128864



www.wirquin.co.uk

 WirquinLtd  WirquinLtd  WirquinLtd  WirquinLtd UK

WC FRAMES



CHRONO

WC FRAME CHRONO



BS 1212-4
COMPLIANT



*Flushing & Inlet Valve



› **INNOVATIVE TECHNOLOGY FOR A RECORD INSTALLATION TIME**



› **DURABLE METALLIC STRUCTURE:** Anti-corrosion coated steel, load tested to 400kg.



› **EASY SERVICING** large front access panel for ease of maintenance, access also possible from the rear for service duct installations.



› **INNOVATIVE INSULATION SYSTEM.** Double wall insulated tank.



› **SIMPLIFIED HEIGHT ADJUSTMENT** with an integrated braking system whilst keeping the feet in position.



› **RAPID PAN INSTALLATION.** No measurement or cutting of the flush pipe or pan connection.



› **TOOL FREE PLATE INSTALLATION.** Simple ratchet system to automatically adjust to the wall thickness.



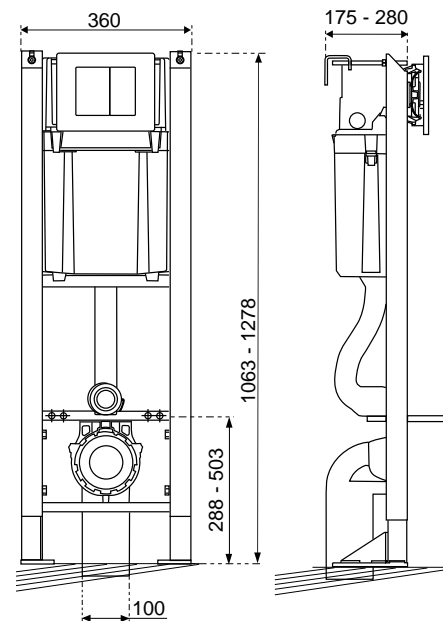
WC FRAME



**BS 1212-4
COMPLIANT**



*Flushing & Inlet Valve



Description	CHRONO FRAME ONLY
Reference	50120560
EAN code	5017134147544
Packaging	Box
Pallet	01/12
Fixing	Universal
Pan centres	180mm or 230mm
Inlet valve	WRAS Approved BS 1212-4 Aquasave Air, Delayed Action
Flush valve	WRAS Approved 2" Jollyflush, Dual Flush
Water saving	Dual flush, 6/4l
Load tested	400kg
Wall thickness	13mm - 50mm
Accessories	Refert to page 85

INITIO - 0.8m

WC FRAME INITIO-0.8M



BS 1212-4
COMPLIANT



*Flushing & Inlet Valve



> A PERFECT SOLUTION FOR THE MOST COMPACT OF SPACES



> DURABLE METALLIC STRUCTURE: Lightweight and anti-corrosion coated steel, load tested to 400kg.



> EASY SERVICING large front access panel for ease of maintenance, access also possible from the rear for service duct installations.



> INNOVATIVE INSULATION SYSTEM. Double wall insulated tank.



> TOOL FREE PLATE INSTALLATION. Simple ratchet system to automatically adjust to the wall thickness.



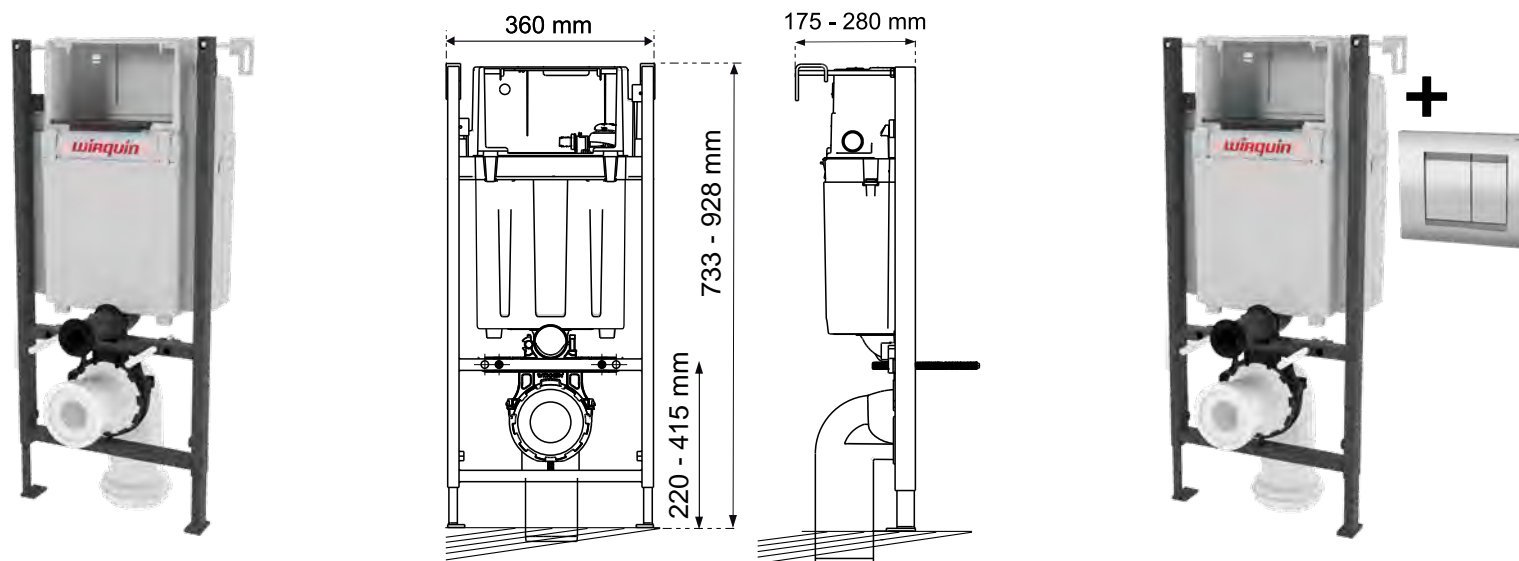
WC FRAME



BS 1212-4 COMPLIANT



*Flushing & Inlet Valve



Description	INITIO 0.8M - FRAME ONLY	INITIO 0.8M FRAME - INC CHROME ESSENTIAL PLATE
Reference	50120511	50120558
EAN code	5017134147056	5017134147520
Packaging	Box	
Pallet	01/15	
Fixing	Wall Hung	
Pan centres	180mm or 230mm	
Inlet valve	WRAS Approved BS 1212-4 Aquasave Air, Delayed Action	
Flush valve	WRAS Approved 2" Jollyflush, Dual Flush	
Water saving	Dual flush, 6/4l	
Load tested	400kg	
Wall thickness	13mm - 50mm	
Accessories	Refert to page 85	

INITIO - 1m

WC FRAME INITIO-1M



BS 1212-4
COMPLIANT



*Flushing & Inlet Valve



› A PERFECT SOLUTION FOR THE MOST COMPACT OF SPACES



› DURABLE METALLIC STRUCTURE: Lightweight and anti-corrosion coated steel, load tested to 400kg.



› EASY SERVICING large front access panel for ease of maintenance, access also possible from the rear for service duct installations.



› INNOVATIVE INSULATION SYSTEM. Double wall insulated tank.



› TOOL FREE PLATE INSTALLATION. Simple ratchet system to automatically adjust to the wall thickness.



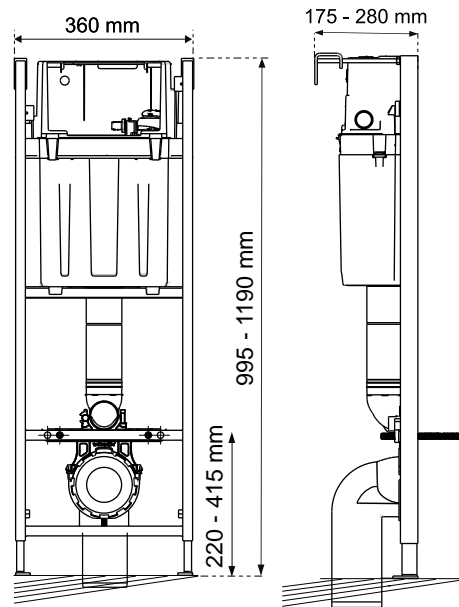
WC FRAME



**BS 1212-4
COMPLIANT**



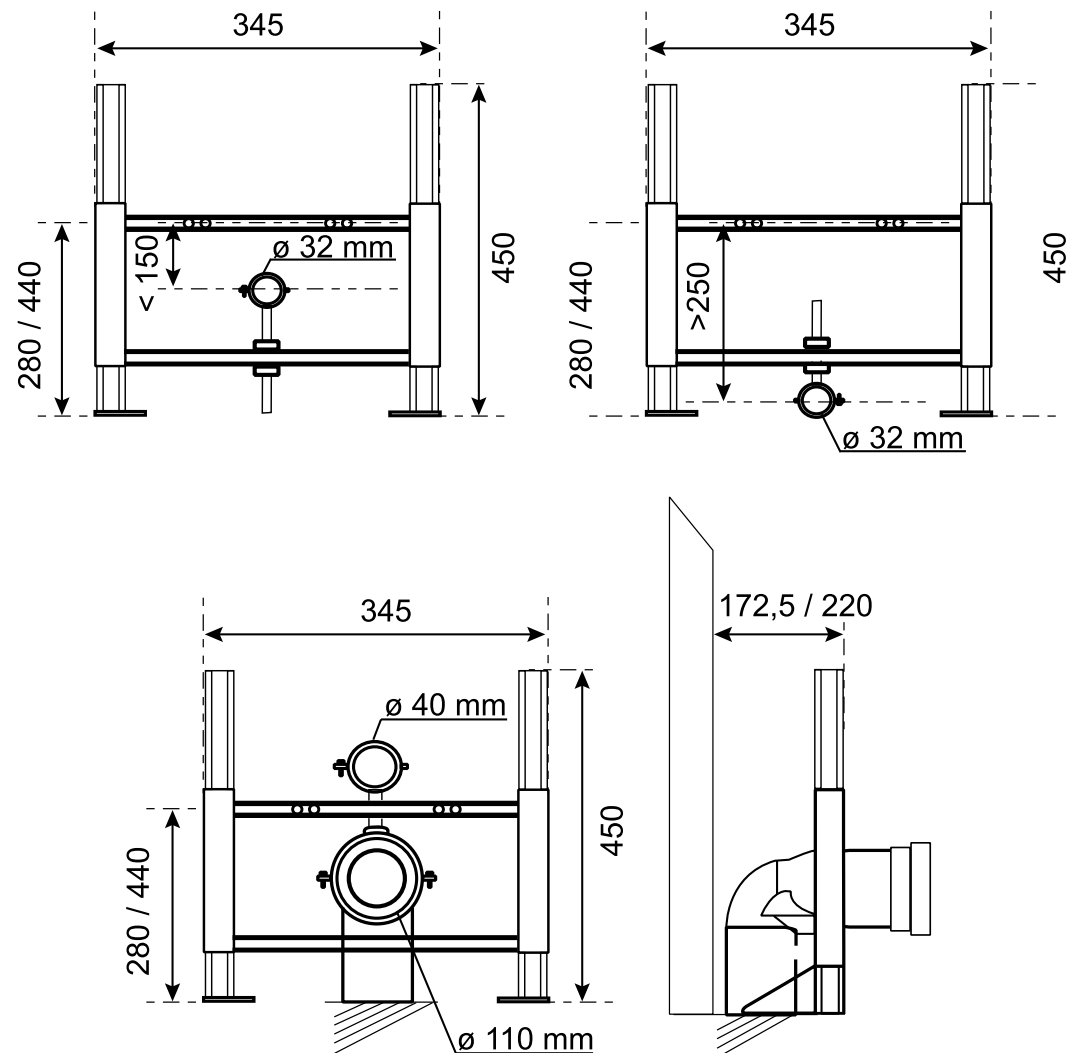
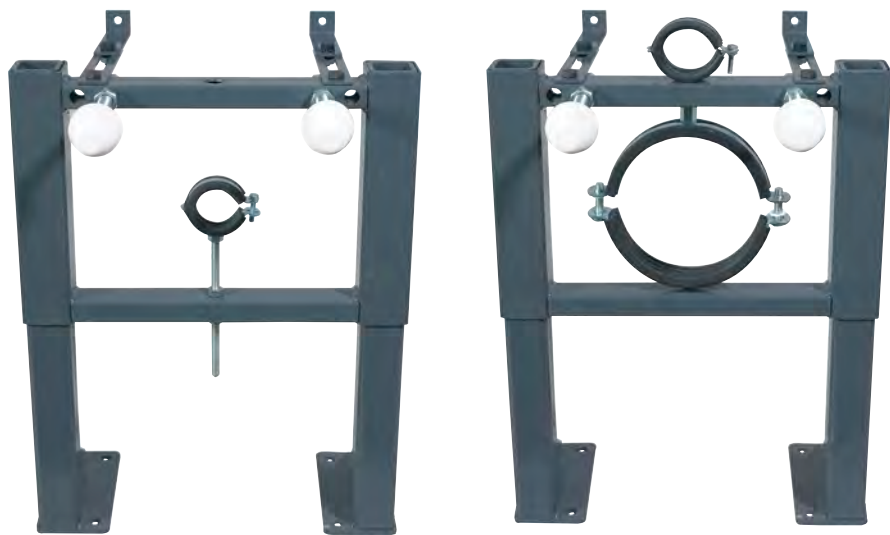
*Flushing & Inlet Valve



Description	INITIO 1M - FRAME ONLY	INITIO 1M FRAME - INCL CHROME ESSENTIAL PLATE
Reference	50120565	50120559
EAN code	5017134147599	5017134147537
Packaging	Box	
Pallet	01/12	
Fixing	Wall Hung	
Pan centres	180mm or 230mm	
Inlet valve	WRAS Approved BS 1212-4 Aquasave Air, Delayed Action	
Flush valve	WRAS Approved 2" Jollyflush, Dual Flush	
Water saving	Dual flush, 6/4l	
Load tested	400kg	
Wall thickness	13mm - 60mm	
Accessories	Refert to page 85	

2 IN 1 FRAME

WC FRAME 2 IN 1: WC & BIDET FRAME



Description	LOW LEVEL WC & BIDET FRAME
Reference	50717863
EAN code	3375537178292
Packaging	Box
Multiple / pallet quantity	01/80
Fixing	Wall & floor
Load tested to	400kg
Application	Suitable for 400mm furniture units

PLATES

ESSENTIAL

DESIGN

HOOPS



Description	Shiny White
Reference	55720347
EAN code	3375537202720
Packaging	Box
Multiple / boxed quantity	01/30
Water saving	Dual Flush



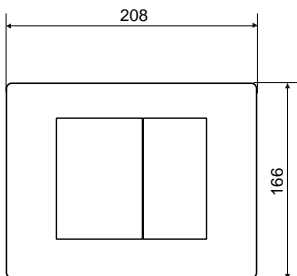
Description	Matt Chrome
Reference	55720349
EAN code	3375537202744
Packaging	Box
Multiple / boxed quantity	01/30
Water saving	Dual Flush



Description	Shiny Chrome
Reference	55950009
EAN code	6425366002460
Packaging	Box
Multiple / boxed quantity	01/30
Water saving	Dual Flush



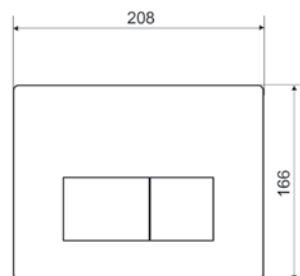
Description	Matt Black
Reference	55722889
EAN code	3375537227716
Packaging	Box
Multiple / boxed quantity	01/30
Water saving	Dual Flush



Description	Shiny White
Reference	55720350
EAN code	3375537202751
Packaging	Box
Multiple / boxed quantity	01/30
Water saving	Dual Flush



Description	Brushed Aluminium
Reference	55720351
EAN code	3375537202768
Packaging	Box
Multiple / boxed quantity	01/30
Water saving	Dual Flush



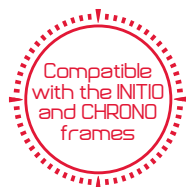
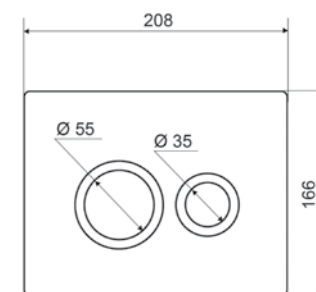
Description	Shiny White
Reference	55721304
EAN code	3375537212330
Packaging	Box
Multiple / boxed quantity	01/06
Water saving	Dual Flush



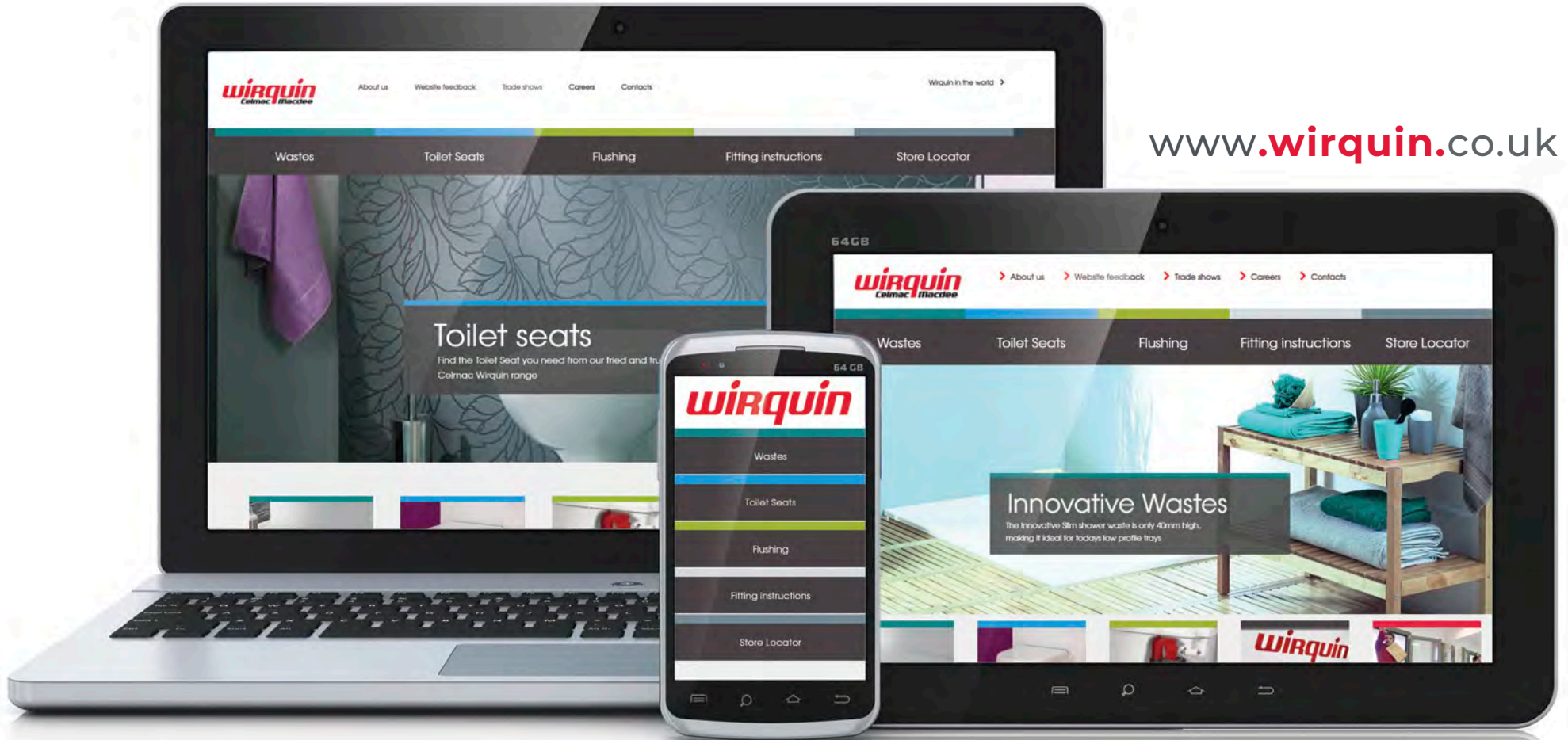
Description	Matt Black
Reference	55721306
EAN code	3375537212354
Packaging	Box
Multiple / boxed quantity	01/06
Water saving	Dual Flush



Description	Brushed Aluminium
Reference	55721305
EAN code	3375537212347
Packaging	Box
Multiple / boxed quantity	01/06
Water saving	Dual Flush



► Suitable for both domestic and commercial applications



www.wirquin.co.uk

 WirquinLtd  WirquinLtd  WirquinLtd  WirquinLtd UK

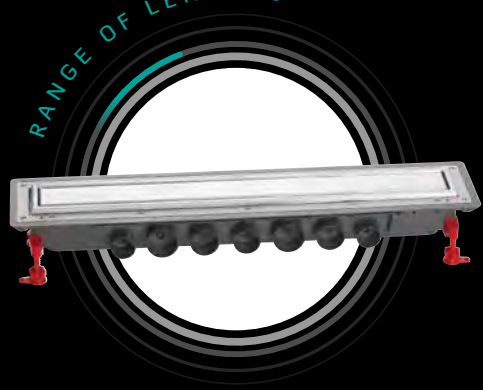
WETROOMS

THE NEW GENERATION OF
WETROOM CHANNEL

COMPACT SOLUTIONS



RANGE OF LENGTHS



VENISIO SLIM

EXTRA-FLAT

WETROOMS VENISIO SLIM



300/500mm



BLACK
Touch
COLLECTION

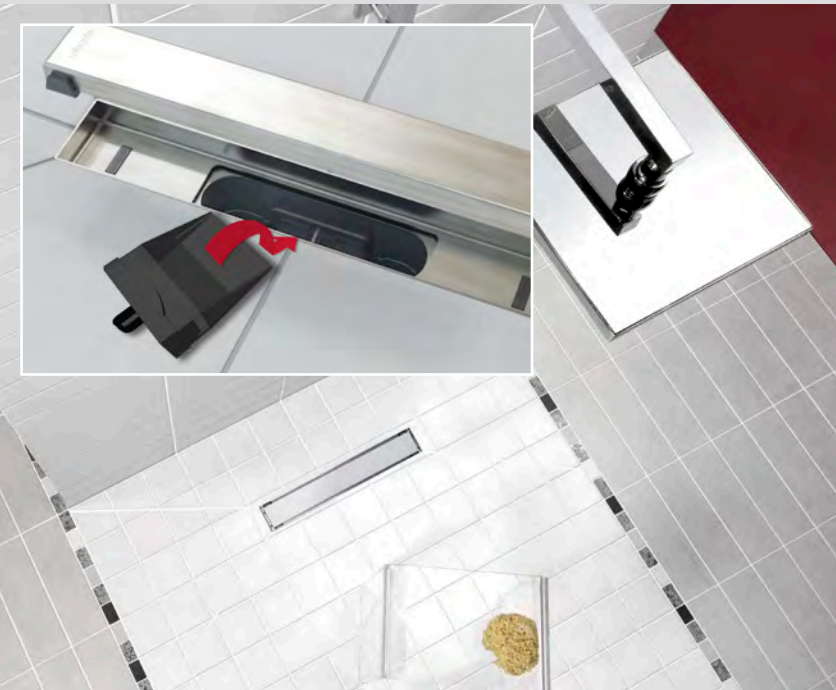


50mm

- > **REVERSIBLE FINISH:** Brushed stainless steel or tiled.
- > **COMPACT:** 50 mm under floor.
- > **100% ANTI-ODOUR GUARANTEE:** Thanks to the silicone membrane that replaces the traditional water seal.
- > **EASY MAINTENANCE:** Silicon membrane with hair filter is accessible from above.
- > **HIGH PERFORMANCE FLOWRATE.**
- > **ANTI SIPHONING.**
- > **ADJUSTABLE FEET:** On ball joint for optimum fit (from 50 to 110mm).
- > **POST INSTALLATION GRID ADJUSTMENT:** To suit tile thickness from 8 to 16 mm thick).
- > **WATERPROOF:** Butyl tape included.



Check out our
video tutorials
on **ASSEMBLY**



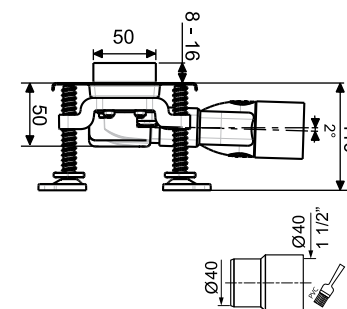
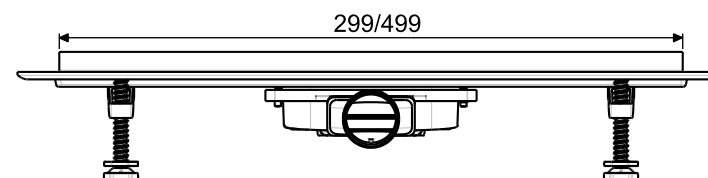
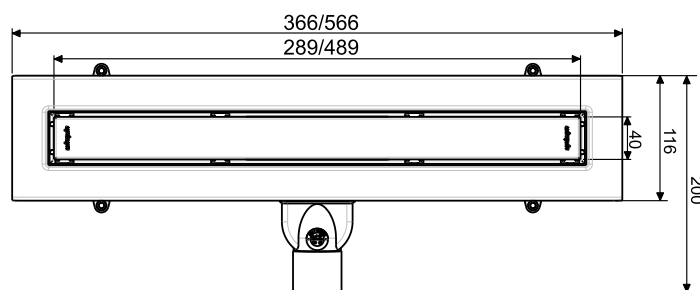
WETROOMS

5
YEARS
GUARANTEE



Description	300 MM	500 MM	500 MM
Reference	30723463	30723464	30723465
EAN code	3375537233458	3375537233465	3375537233472
Packaging	Box	Box	Box
Multiple / boxed quantity	01/06	01/04	01/04
Height adjustable		50 to 110 mm	
Water seal		Silicone membrane	
Flow L/mn (under 20 mm)		35 L/mn	
Outlet		Solvent weld	
Grid	Brushed stainless steel / tiled		Matt black

Technical drawing



VENISIO EXPERT

WETROOMS VENISIO EXPERT



- › **REVERSIBLE FINISH:** Brushed stainless steel or tiled.
- › **REDUCED HEIGHT:** 89 mm under floor.
- › **WATER SEAL:** 50 mm.
- › **EASY MAINTENANCE:** With direct access to trap from above.
- › **ULTRA-FAST FLOW:** Through its multiple outlets (possibility of connecting several pipes).
- › **ADJUSTABLE FEET:** On ball joint for optimum adjustment (from 89 to 124mm).
- › **POST INSTALLATION GRID ADJUSTMENT:** To suit tile thickness from 8 to 16 mm thick).
- › **WATERPROOF:** Sheet (supplied) secured by adhesion and screws for a watertight seal.

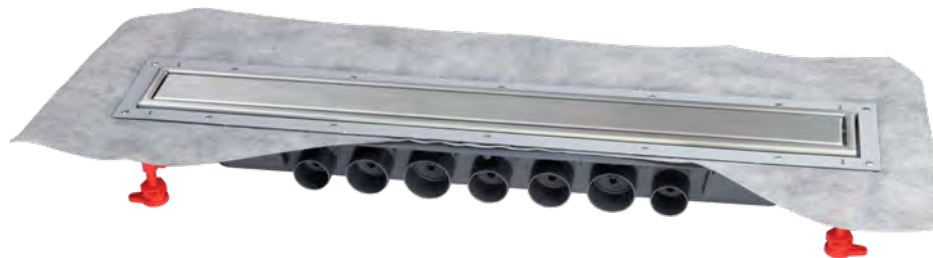


Check out our video tutorials on **ASSEMBLY**



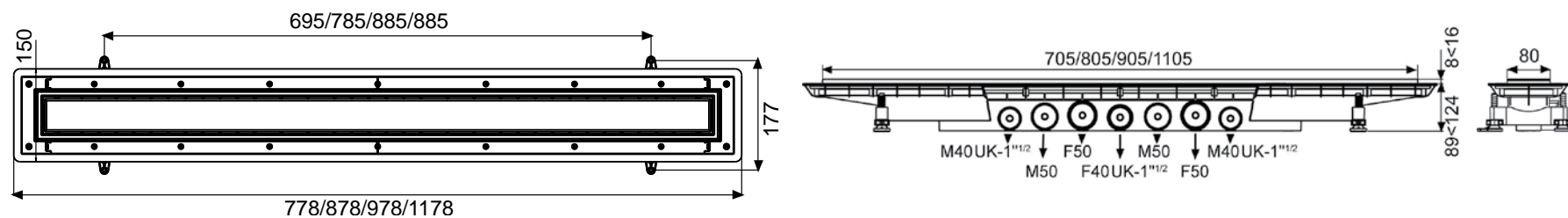
WETROOMS

YEARS
GUARANTEE
10



Description	700 MM	800 MM	900 MM	1100 MM
Reference	30718077	30718078	30720834	30720835
EAN code	3375537180363	3375537180370	3375537207596	3375537207602
Packaging	Box			
Multiple / boxed quantity	01/02			
Height adjustable	89 mm - 124 mm			
Water seal	50 mm			
Flow L/mn (under 20 mm)	Up to 79 L/mn			
Outlet	2 x 43 mm male + 1 x 43 mm female			
Grid	Brushed Stainless Steel or Tile Finish			

Technical drawing





 WirquinLtd  WirquinLtd  WirquinLtd  WirquinLtd UK

SHOWER

Ø90 WASTES



GRATED



ACCESSORIES



wirquin

SLIM

SHOWER WASTE Ø90 SLIM



CHROMED ABS DOME



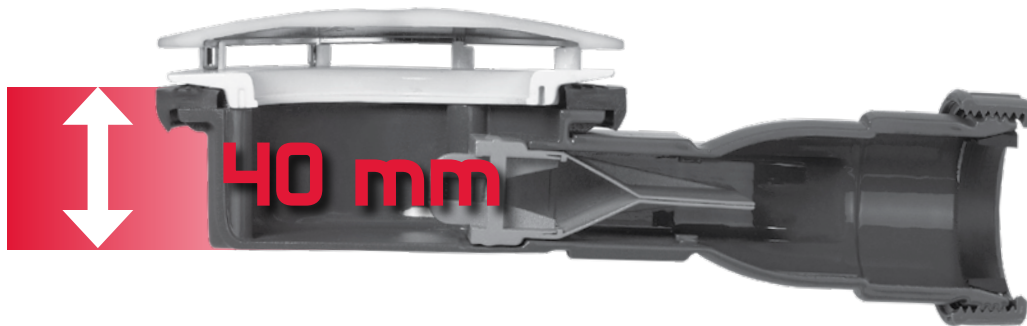
STAINLESS STEEL GRID



MATT BLACK ABS DOME



CHROMED METAL DOME



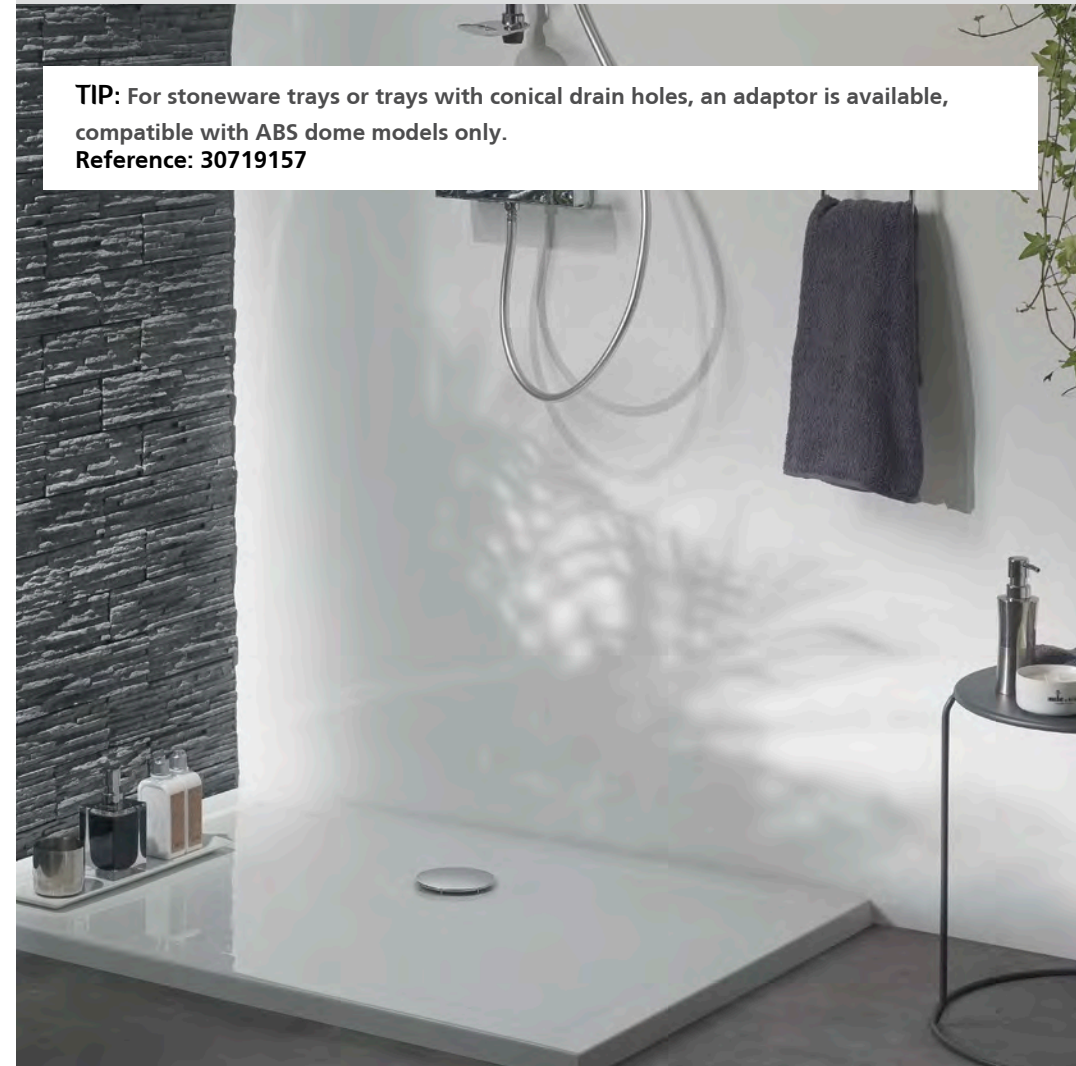
40 mm

THE SLIM RANGE IS SPECIALLY DESIGNED TO BE FITTED TO THE FLATTEST TRAYS ON THE MARKET, IN Ø90 THANKS TO ITS LOW HEIGHT: ONLY 40 MM!

THE SILICON MEMBRANE GUARANTEES EXCELLENT FLOW RATES AND ACTS AS A VAPOUR BARRIER AND AIR ADMITTANCE VALVE.





- › THE FLATTEST SHOWER WASTE ON THE MARKET
- › ANTI BACK-SIPHONING SYSTEM
- › NO SMELL GUARANTEE: The membrane replaces the water trap
- › EASY TO MAINTAIN: Top access membrane with removable hair Filter
- › UNIVERSAL OUTLET: Compression 40 - 43 (female), Solvent Weld 43 / 1 1/2" (male)
- › HIGH PERFORMANCE: Flow rates up to 34 L/mn under 15mm of water
- › 4 DESIGN FINISHES: Matt Black (ABS), Chrome (Metal), Chrome (ABS), Stainless Steel Grid

TIP: For stoneware trays or trays with conical drain holes, an adaptor is available, compatible with ABS dome models only.
Reference: 30719157



SHOWER WASTE Ø90



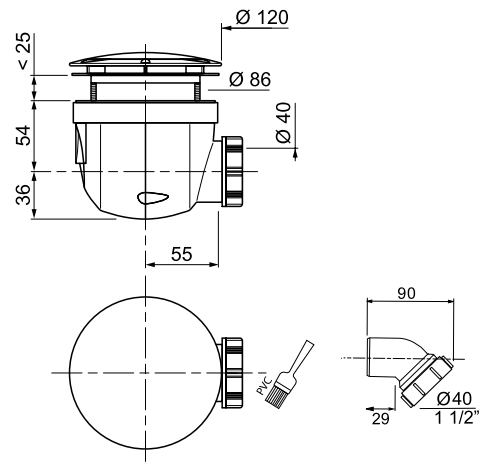
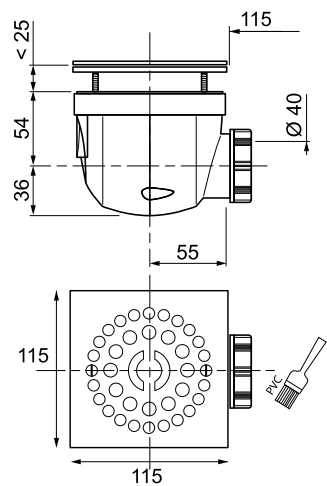
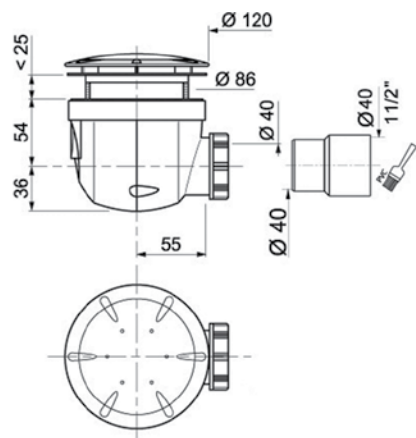
Description	SLIM Ø90 STAINLESS STEEL GRID	SLIM Ø90 METAL DOME	SLIM Ø90 ABS DOME	SLIM Ø90 ABS MATT BLACK DOME	SLIM Ø90 ABS DOME
Reference	30120191	30120190	30120015	30722860	30120026
EAN code	5017134132168	5017134132175	5017134129021	3375537227433	5017134129014
Packaging	Box	Box	Box	Box	Box
Multiple / boxed quantity	01/12	01/12	01/12	01/25	01/12
Height mm	40 mm	40 mm	40 mm	40 mm	40 mm
Depth of seal					25mm
Flow rate l/mn (under 15mm of water)	27 L/mn	28 L/mn	34 L/mn	34 L/mn	24 L/mn
Grid / dome	Brushed Stainless Steel Grid	Metal Chrome Dome	ABS Chrome Dome	ABS MATT BLACK Dome	ABS Chrome Dome
Technical drawing					

SHOWER WASTE Ø90



Description	TWISTO Ø90 SELF CLEANING VORTEX SHOWER WASTE		
Reference	34040601	34040501	34070501
EAN code	3375539069505	3375539063428	3375537130733
Packaging	Bag	Bag	Bag
Multiple / boxed quantity	01/28	01/25	01/20
Height mm	90 mm	90 mm	90 mm
Depth of seal mm	50 mm	50 mm	50 mm
Flow rate l/mn (Under 15mm of water)	32 L/mn	32 L/mn	32 L/mn
Grid / dome	ABS Chrome Dome	Brushed Stainless Steel Grid	Metal Chrome Dome

Technical drawing

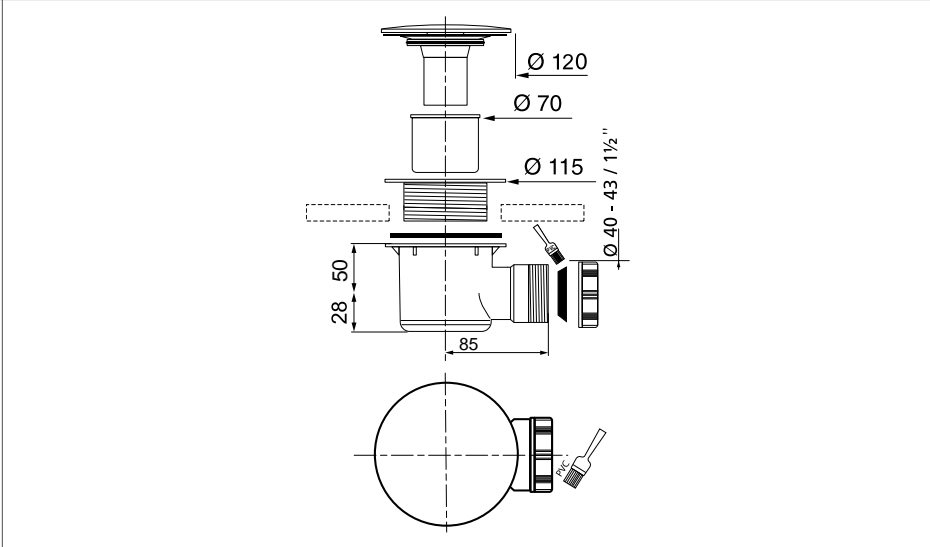
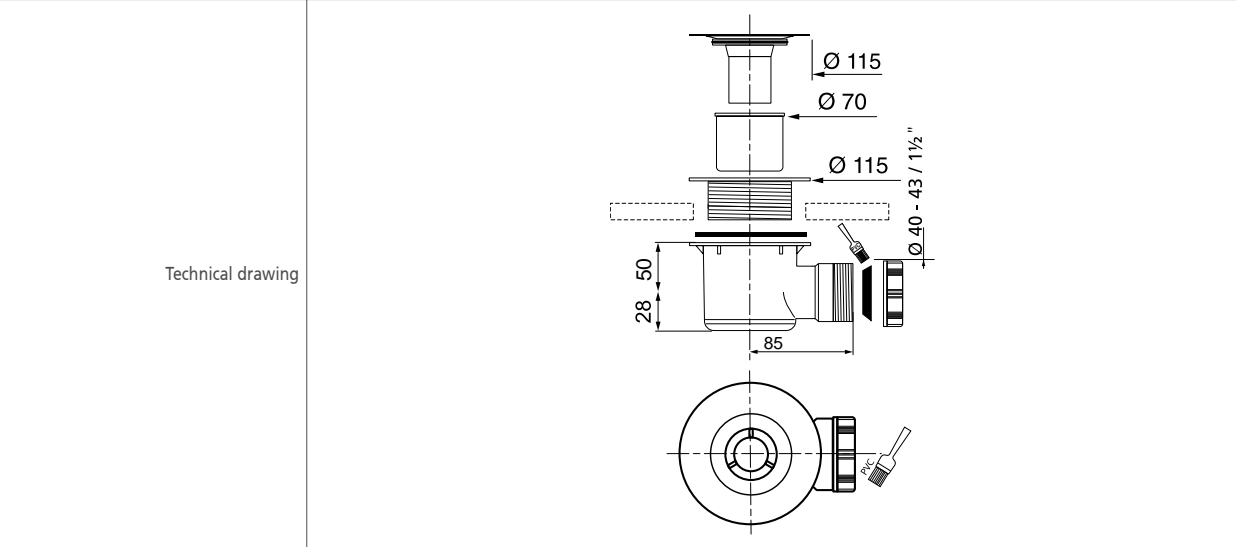


* For adaptor see page 136

SHOWER WASTE Ø90



Description	TOURBILLON Ø90 TOP ACCESS SHOWER WASTE	
Reference	30120458	34080101
EAN code	5017134146523	3375537133802
Packaging	Bag	Bag
Multiple / boxed quantity	01/51	01/50
Height mm	78 mm	78 mm
Depth of seal mm	50 mm	50 mm
Flow rate in l/mn	28 L/mn	27 L/mn
Grid / dome	ABS Chrome Grid	ABS Chrome Dome

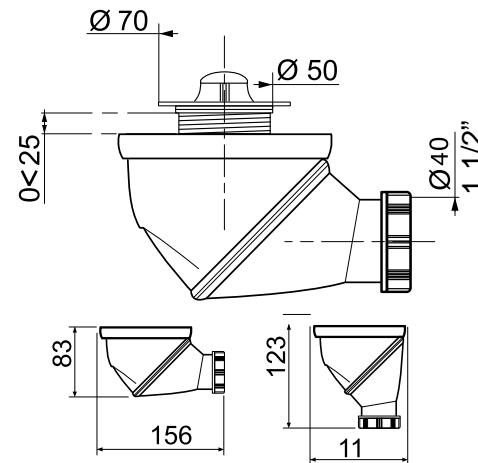


SHOWER WASTE Ø50



Description	JAMES Ø50 - COMPRESSION MULTI-POSITIONING SHOWER WASTE
Reference	30717457
EAN code	3375537174546
Packaging	Bag
Multiple / boxed quantity	01/30
Height mm	83 mm horizontal position ;123 mm vertical position
Depth of seal mm	50 mm
Flow rate in l/mn	51 L/mn horizontal position ; 83 L/mn vertical position
Grid / dome	ABS Chrome Grid

Technical drawing



FLUSH GRATED Ø60

FLUSH GRATED Ø72

FLUSH GRATED Ø85



Description	1 1/4" CHROME PLATED BRASS, UNSLOTTED, PLASTIC BACKNUT	1 1/4" CHROME PLATED BRASS, SLOTTED, PLASTIC BACKNUT	1 1/2" CHROME PLATED BRASS, UNSLOTTED, PLASTIC BACKNUT	1 1/4" PLASTIC BODY, STAINLESS STEEL WASTE, UNSLOTTED, PLASTIC BACKNUT	1 1/2" CHROME PLATED BRASS, SLOTTED, PLASTIC BACKNUT	1 1/2" CHROME PLATED BRASS, UNSLOTTED, PLASTIC BACKNUT
Reference	WFS02CP	WFS03CP	WFS54CP	WFS22SS	WFS58CP	WFS57CP
EAN code	5024139093776	5024139087836	5024139054616	5024139008695	5024139069924	5024139101341
Packaging	box	Box	box	Box	Box	Box
Multiple / boxed quantity	01/64	01/64	01/58	01/50	01/33	01/36
Tail length mm	85 mm	85 mm	41.5 mm	82 mm	83 mm	88 mm

Technical drawing	Ø60 85 G11/4"	Ø60 85 G11/4"	Ø72 41.5 G11/2"	Ø72 82 G11/4"	Ø85 83 G11/2"	Ø85 88 G11/2"

SHOWER TRAY FEET

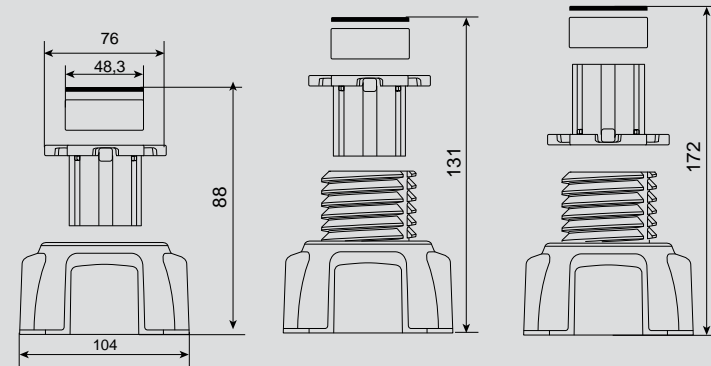
ACCESSORIES SHOWER TRAY FEET



ADJUSTABLE FROM
58mm to 172mm

104mm wide base: To increase reliability and easy floor installation.

- > **ROBUST:** Each foot withstands 450kg.
- > **HEIGHT ADJUSTABLE:** From 58mm – 172mm
- > **ACCURATE SETTING:** Adjustment indicators for precision setting.
- > **STABILITY:** Non-slip pad.
- > **INCREASED SAFETY:** Each foot has four floor fixing points.

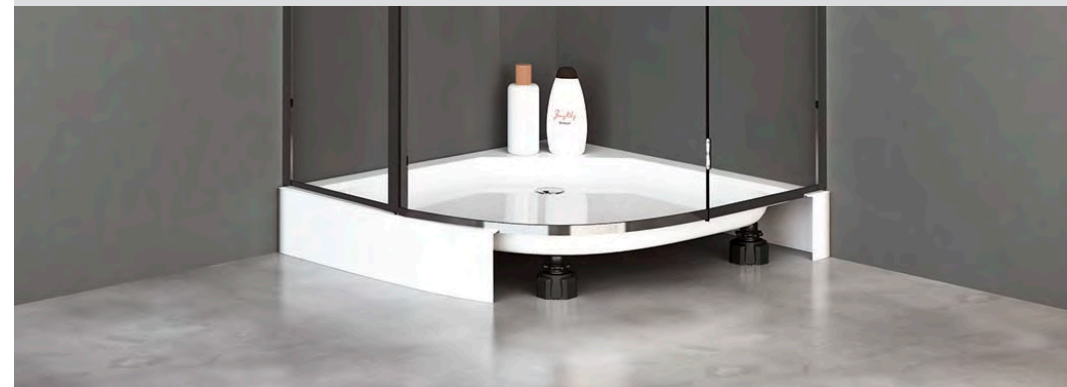


> EASY HEIGHT ADJUSTMENT

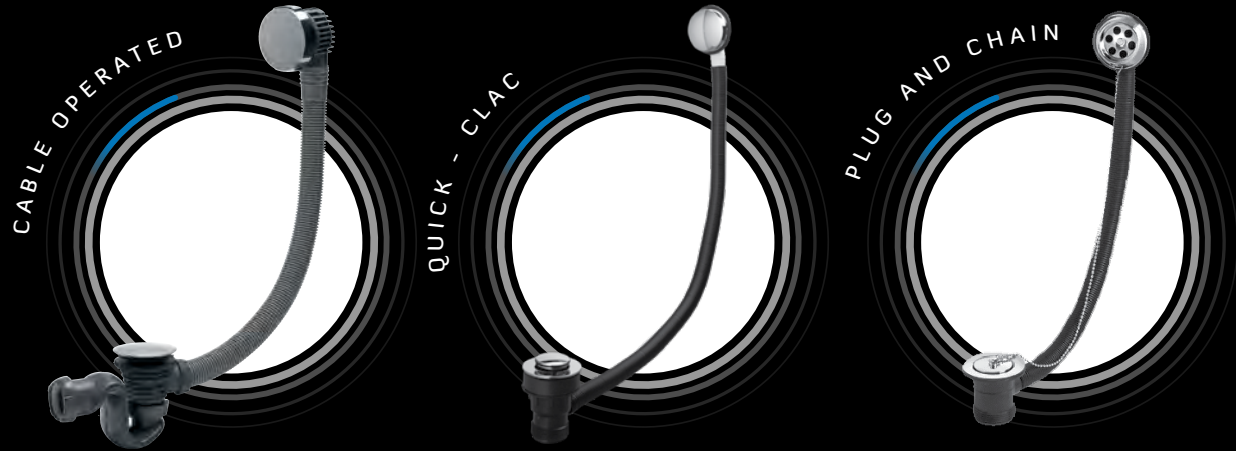


✓ **TIP:** By removing the extension leg, the tray can be installed with a minimum height of on 58mm.

Reference	30719767
EAN code	3375537196944
Packaging	Bag of 4
Multiple / boxed quantity	01/10

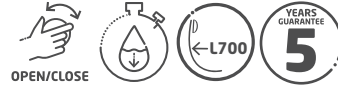


BATH



SB600 + ELTON

CABLE WASTE SB600 + ELTON



- › **CABLE OPENING-CLOSING SYSTEM:** 90° rotation with unique clutch control operation (lifetime guaranteed)
- › **DESIGN OVERFLOW:** Round and square options.
- › **700 MM CABLE LENGTH:** With high resistance stainless steel cable inside the overflow tube to avoid damage during installation.
- › **EASY SET UP:** The self-centering washer retains the waste in position under the bath when the grid is being installed.
- › **SPACE SAVING COBRA TRAP:** Only 108mm under bath.
- › **FASTEST FLOW RATE ON THE MARKET:** 63 L/m
- › **SELF CLEANING TRAP:** Guaranteed not to block.
- › **FLEXIBLE:** 40° movement and rotating trap to aid connection to the waste pipe.
- › **ONLY 2 CONNECTIONS POINTS:** 50% less chance of leak than a traditional 4 joint waste.
- › **DEPTH OF SEAL:** 56mm

**108
mm**



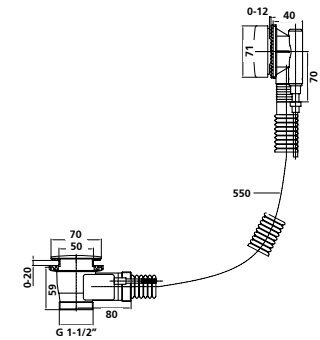
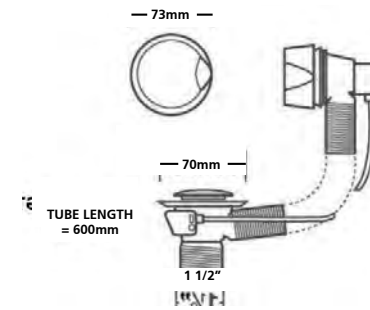
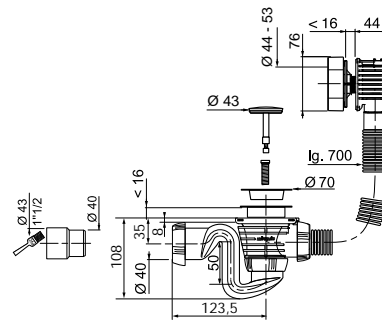
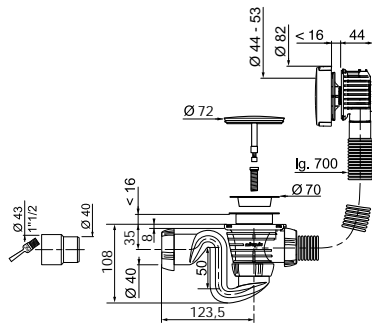
- › * in normal conditions of use

CABLE



Description	SB600	ELTON	METAL CHROME PLATED POP UP WASTE	METAL CHROME PLATED POP UP WASTE
Reference	34590301	30717610	WHP05CP	30719934
EAN code	3375539056215	3375537175901	5024139080516	5017134118995
Packaging	Box	Box	Box	Box
Multiple / boxed quantity	01/12	01/12	01/16	01/11
Overflow length mm	700 mm	700 mm	600 mm	550 mm
Handle	Metal chrome plated	ABS chrome plated	Brass chrome plated	Metal chrome plated
Plug	Metal chrome plated	Metal chrome plated	Metal chrome plated	Metal chrome plated

Technical drawing



QUICK CLAC



Did you know?
WIRQUIN invented the
 QUICK CLAC solution
 in 1991

5 YEARS GUARANTEE



5 YEARS GUARANTEE



2 YEARS GUARANTEE



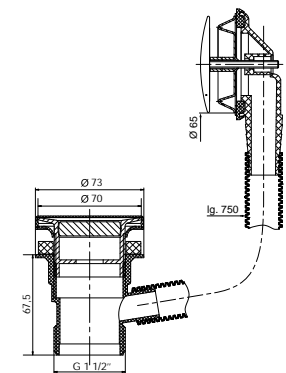
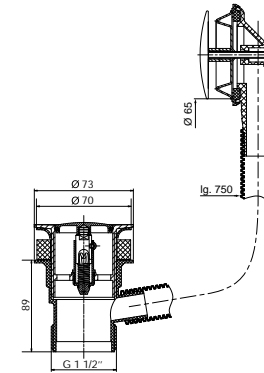
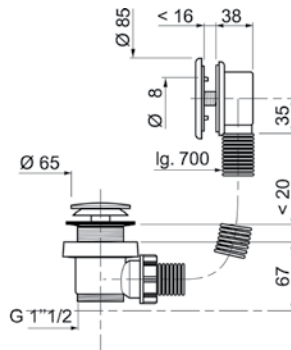
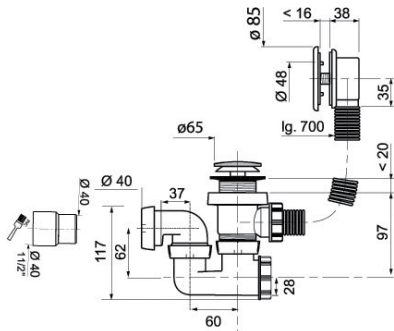
2 YEARS GUARANTEE



ROTARY

Description	QUICK CLAC WASTE WITH TRAP	QUICK CLAC WASTE - PLAIN DOME	QUICK CLAC WASTE - CLASSIC PLUG	ROTARY WASTE
Reference	SP760399G	SP760099	WHO95CP	WHO94CP
EAN code	33755336010487	3375536003953	5017134118360	5024139033550
Packaging	Bag	Bag	Box	Box
Multiple / boxed quantity	01/15	01/12	01/24	01/24
Overflow length mm	700 mm	700 mm	750 mm	750 mm
Handle	ABS Chrome Plated	ABS Chrome Plated	Metal Chrome Plated	Metal Chrome Plated
Plug	Stainless Steel Mushroom Plug	Stainless Steel Mushroom Plug	Metal Chrome Plated	Metal Chrome Plated

Technical drawing

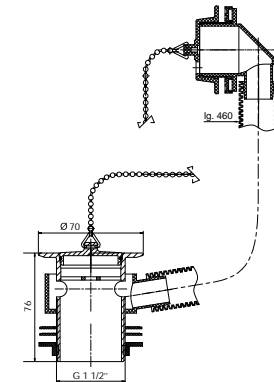
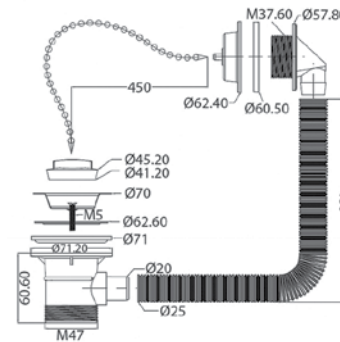
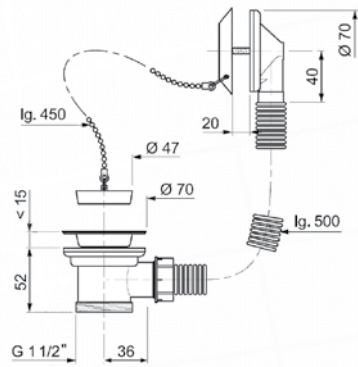


PLUG & CHAIN



Description	METAL PLUG, 18" CHAIN, PLUG TIDI OVERFLOW, PLASTIC BODY	METAL PLUG, 18" CHAIN, PLASTIC BODY	METAL PLUG, 18" CHAIN, METAL BODY
Reference	WHO01CP	WHO72CP	WHO32CP
EAN code	5024139352057	5024139006127	5024139089991
Packaging	Box	Bag	Box
Multiple / boxed quantity	01/50	01/50	01/24
Overflow length mm	460	460	460
Plug	Ø45 mm Length chain = 460 mm	Ø45 mm Length chain = 460 mm	Ø45 mm Length chain = 460 mm

Technical drawing

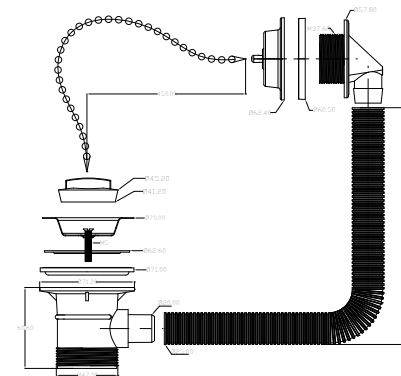
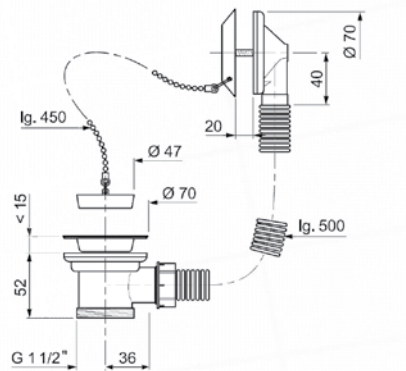


PLUG & CHAIN



Description	POLY PLUG, 18" CHAIN, PLASTIC BODY	POLY PLUG, 18" CHAIN, PLASTIC BODY	POLY PLUG, 18" CHAIN, PLASTIC BODY, D PACK
Reference	SP5500	WHO7355	WHO7455
EAN code	3375530114211	5024139071743	5024139090201
Packaging	Box	Box	Bag
Multiple / boxed quantity	01/55	01/30	01/20
Overflow length mm	500	455	455
Plug	Ø47 mm Length chain = 450 mm	Ø45 mm Length chain = 460 mm	Ø45 mm Length chain = 460 mm

Technical drawing

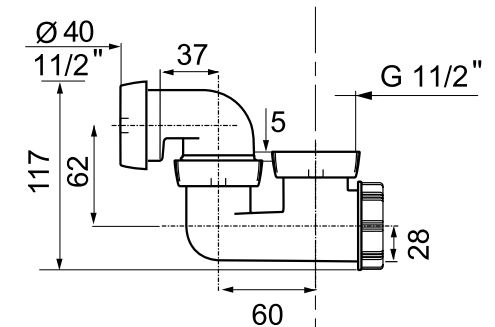
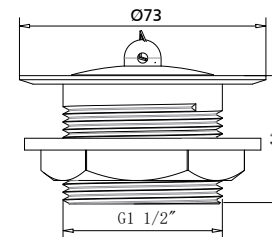
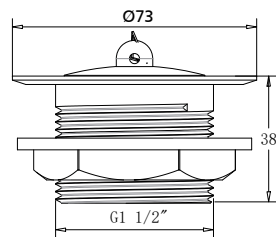


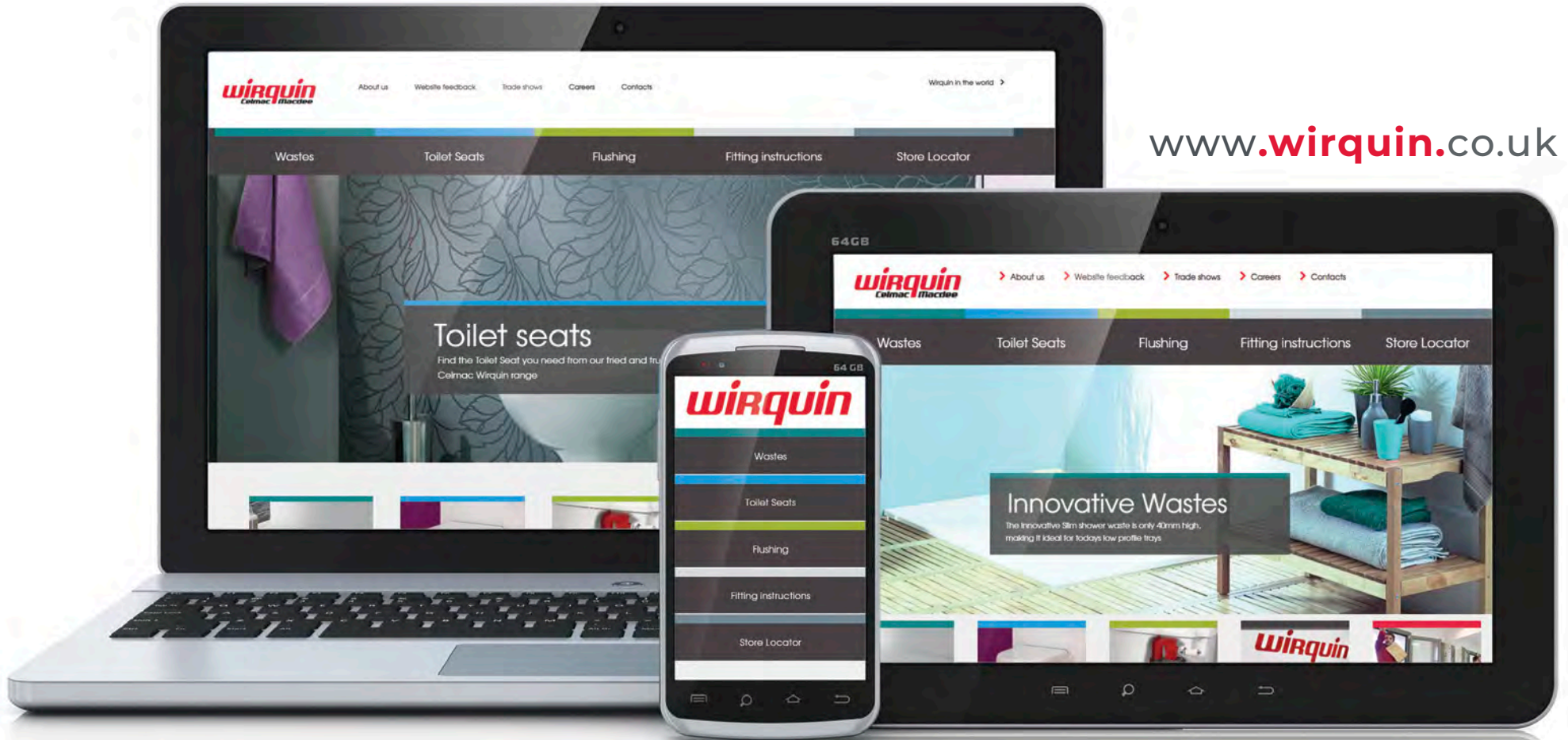
WASTES + TRAPS



Description	CHROME PLATED BRASS BATH WASTE, POLY PLUG, 18" CHAIN + S HOOK	CHROME PLATED BRASS BATH WASTE, POLY PLUG	SWIVELLING BATH TRAP - 50MM WATER SEAL
Reference	WHK03CP	WH503CP	30717611
EAN code	5024139088789	5024139073105	3375537175918
Packaging	Box	Box	Bag
Multiple / boxed quantity	01/58	01/58	01/55
Plug	Ø45 mm Length chain = 460 mm	Ø45 mm No chain	-

Technical drawing





www.wirquin.co.uk

 WirquinLtd  WirquinLtd  WirquinLtd  WirquinLtd UK

BASIN



NANO 6.7

ULTRA COMPACT

WASTE + TRAP IN ONE NANO 6.7



- WATERLESS TRAP MEMBRANE
- REGISTERED DESIGN
- SPACE SAVING
- SPECIAL NEEDS
- YEARS GUARANTEE 10



> TOP ACCESS CLEANING: Trap accessible from above.



> WATERLESS MEMBRANE TRAP: Replaces the traditional water seal giving total protection against back siphoning for a no smell guarantee.



> ULTRA COMPACT: Only 6.7cm high, more space under the basin.



> INTEGRATED OVERFLOW SLOT: Can be uncapped to suit installation



> 360° SWIVEL, ± 4° VERTICAL TILT: Compensates for alignment faults and takes pressure off the pipes.



> REMOVABLE SINGLE CLIP BODY: Quick safe, waterless membrane trap, ultra compact, top access, integrated overflow, swivel and tilt.



WASTE + TRAP IN ONE

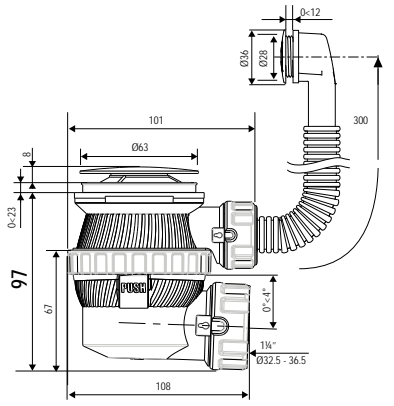
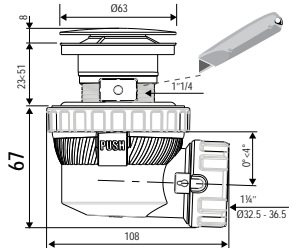


BLACK
Touch
COLLECTION



Description	NANO 6.7	NANO 6.7 BLACK TOUCH	NANO 6.7 WITH OVERFLOW
Reference	30120520	30120584	30120522
EAN code	5017134147148	5017134147780	5017134147162
Packaging	Box		
Multiple / Boxed qty	01/12	01/08	01/08
Seal			
Flow rate l/mn	30 L/mn		
Height under basin mm	67 mm		97 mm

Technical drawing



QUICK CLAC WASTES



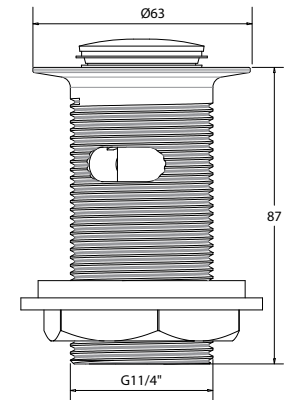
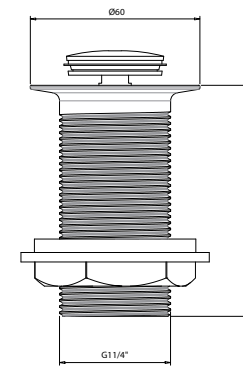
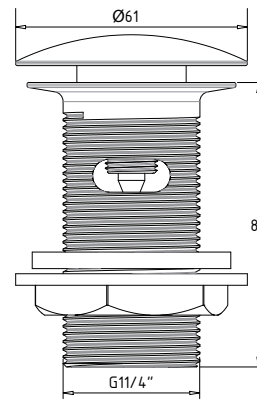
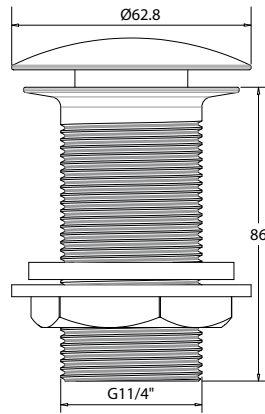
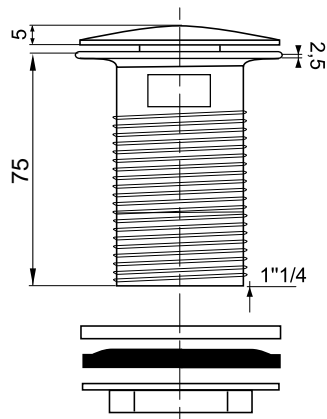
BLACK Touch
COLLECTION

Did you know?
WIRQUIN invented the QUICK CLAC solution in 1991



Description	MUSHROOM DOME BLACK TOUCH, SLOTTED	MUSHROOM DOME, UNSLOTTED	MUSHROOM DOME, SLOTTED	INTERNAL DOME, UNSLOTTED	INTERNAL DOME, SLOTTED
Reference	30722869	32140301	WBK11CP	WBK94CP	WBK95CP
EAN code	3375537227518	3375537147915	5017134118940	5024139027207	5024139025371
Packaging	Box	Box	Box	Box	Box
Multiple / Box qty	01/32	01/32	01/52	01/40	01/40
Height mm	75 mm	86 mm	86 mm	87 mm	87 mm
Backnut	Metal	Plastic	Plastic	Metal	Metal

Technical drawing



CAPTIVE WASTES

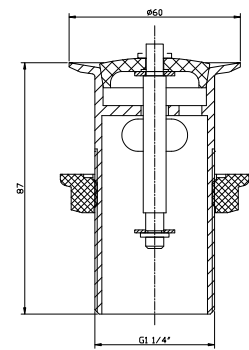
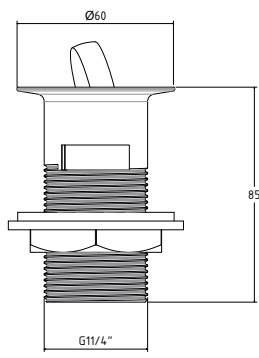
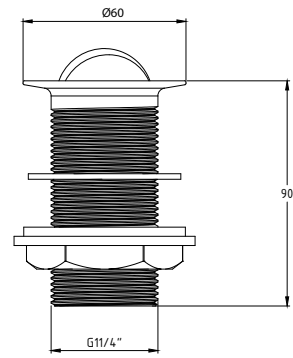


ANTI-VANDAL WASTE



Description	ROTARY, UNSLOTTED	ROTARY, SLOTTED	RETAINING BAR, SLOTTED
Reference	WBK96CP	WBK97CP	WBS04CP
EAN code	5024139033543	5024139033536	5024139088918
Packaging	Box	Box	Box
Multiple / Box qty	01/40	01/34	01/58
Height mm	90 mm	85 mm	87 mm
Backnut	Metal	Metal	Plastic

Technical drawing

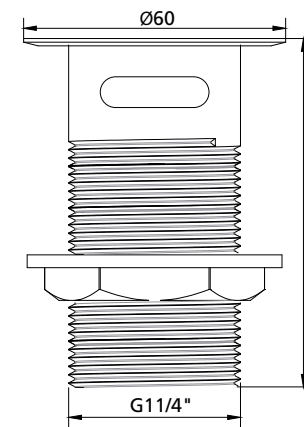
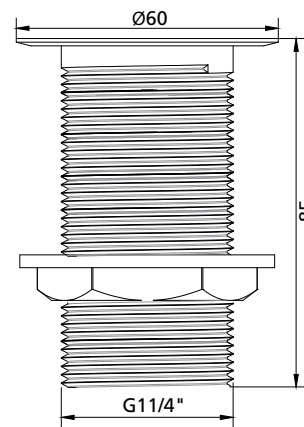
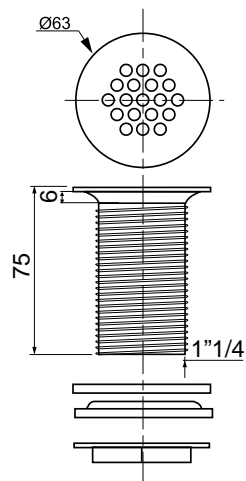


FLUSH GRATED WASTES



Description	19 HOLE, UNSLOTTED	GRID, UNSLOTTED	GRID, SLOTTED
Reference	32040001	WFS02CP	WFS03CP
EAN code	3375539054051	5024139093776	5024139087836
Packaging	Box	Box	Box
Multiple / Box qty	01/40	01/64	01/64
Height mm	75 mm	85 mm	85 mm
Backnut	Metal	Plastic	Plastic

Technical drawing

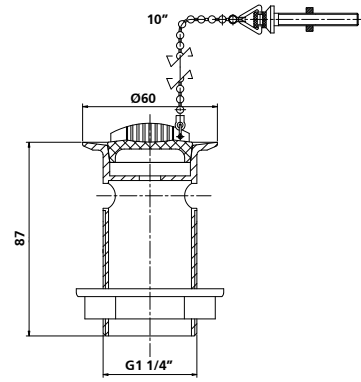
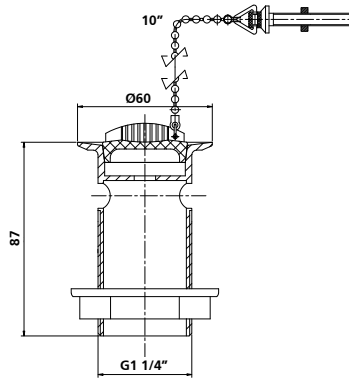
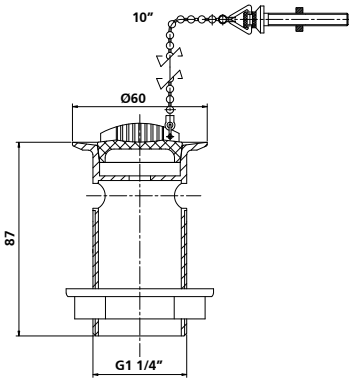
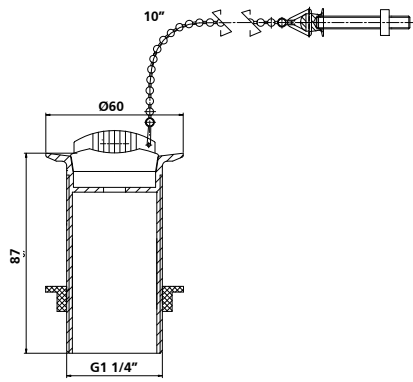


PLUG & CHAIN



Description	POLY PLUG, UNSLOTTED	POLY PLUG, SLOTTED	POLY PLUG, SLOTTED, 2 WASHERS	CHROME METAL PLUG, SLOTTED
Reference	WBK01CP	WBK02CP	WBK04CP	WBK42CP
EAN code	5024139077677	5024139063960	5024139093936	5024139092663
Packaging	Box	Box	Box	Box
Multiple / Box qty	01/58	01/58	01/58	01/58
Height mm	87 mm	87 mm	87 mm	87 mm
Backnut	Plastic	Plastic	Plastic	Plastic

Technical drawing



PLUG & CHAIN



PLUG & CHAIN + OVERFLOW

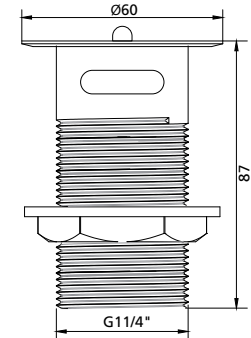
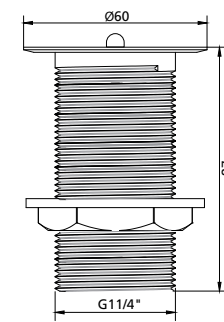
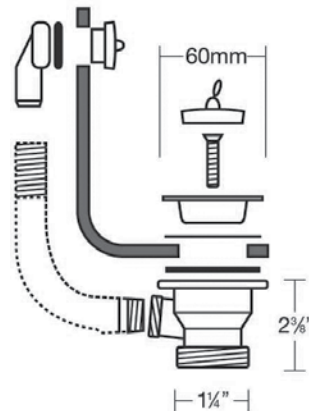
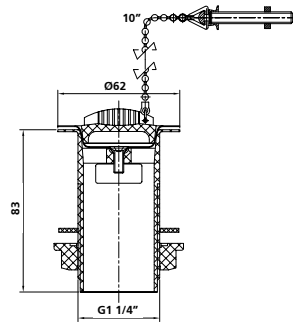
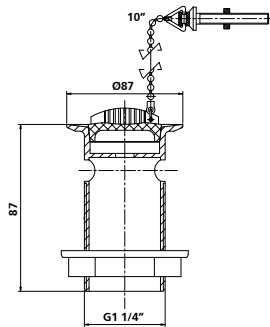


PLUG ONLY



Description	POLY PLUG, SLOTTED	POLY PLUG, SLOTTED	PLASTIC BODY BASIN VANITY WASTE WITH POLY PLUG, BALL CHAIN AND OVERFLOW	POLY PLUG, UNSLOTTED	POLY PLUG, SLOTTED
Reference	WBK22CP	WBK83SS	WBV21BA	WBS01CP	WBS02CP
EAN code	5024139092380	5024139085825	5024139080448	5024139074041	5024139096876
Packaging	Box	Bag	Bag	Box	Box
Multiple / Box qty	01/58	01/88	01/50	01/53	01/58
Overflow length mm	-	-	230	87 mm	87 mm
Height mm	87 mm	83 mm	61 mm	87 mm	87 mm
Backnut	Metal	Plastic		Plastic	Plastic

Technical drawing





wirquin **neo** AIR

Lifetime guaranteed!

AIR SYSTEM

Integrated ventpipe

- ✓ **ZERO** Odours
- ✓ **ZERO** Noise
- ✓ **ZERO** Syphoning

QUICK-SAFE
Installation

- ✓ **ZERO** Leaks
- ✓ **ZERO** Hassle



EN 274

MADE IN
FRANCE



Put an end to
bad smells
and leaks!

wirquin **neo** **AIR**

Lifetime guaranteed!

9
AWARDED

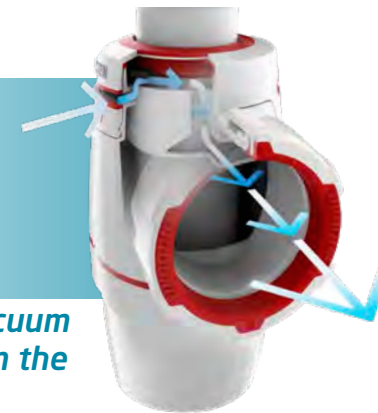


AIR SYSTEM *Integrated ventapipe*

Prevents the suction of the water seal trap thanks to the membrane.

- ✓ **ZERO** Odours
- ✓ **ZERO** Noise
- ✓ **ZERO** Syphoning

Replaces the traditional anti-vacuum by creating natural ventilation in the pipes



QUICK-SAFE *Installation*

Easy and quick installation 100% waterproof thanks to the bi-injected washer



- ✓ **ZERO** Leaks
- ✓ **ZERO** Hassle

TRAPS



Description	WIRQUIN NEO	WIRQUIN NEO AIR
Reference	30722167	30722169
EAN code	3375537220908	3375537220922
Packaging	Film	Film
Multiple / Box qty	01/50	01/50
Depth of seal mm	80 mm	80 mm
Flow rate in l/mn (Under 15mm of water)	55.2 L/mn	55.2 L/mn
Height mm	175>235 mm	175>235 mm

Technical drawing

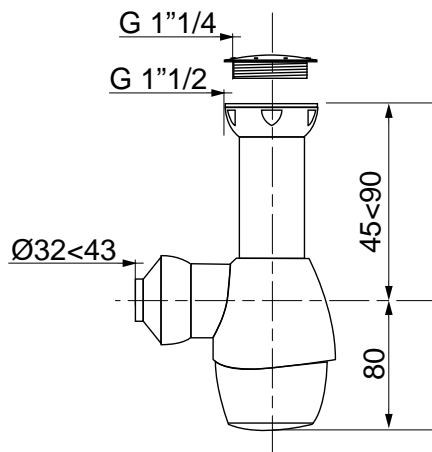
Technical drawing

* suitable for ABS pipe, compression fit only

ALL IN ONE

UNIVERSAL

TRAP ALL IN ONE



Description	ALL IN ONE - WHITE
Reference	31180002
EAN code	3375537140435
Packaging	Bag
Multiple / Box qty	01/45
Depth of seal mm	50 mm
Flow rate in l/mn (Under 15mm of water)	62 L/mn
Height mm	125 < 170 mm



> **UNIVERSAL:**
1 1/4" & 1 1/2" a single product to fit basin & sink.



> **OVERMOULDED WASHERS:**
A perfect seal without the need for washers.



> **TELESCOPIC:** Making it easy to install with existing pipework.



> **PUSH-FIT FUNCTION:**
Rapid installation.



> **EASY TO CLEAN:**
Simple rotation of the base.

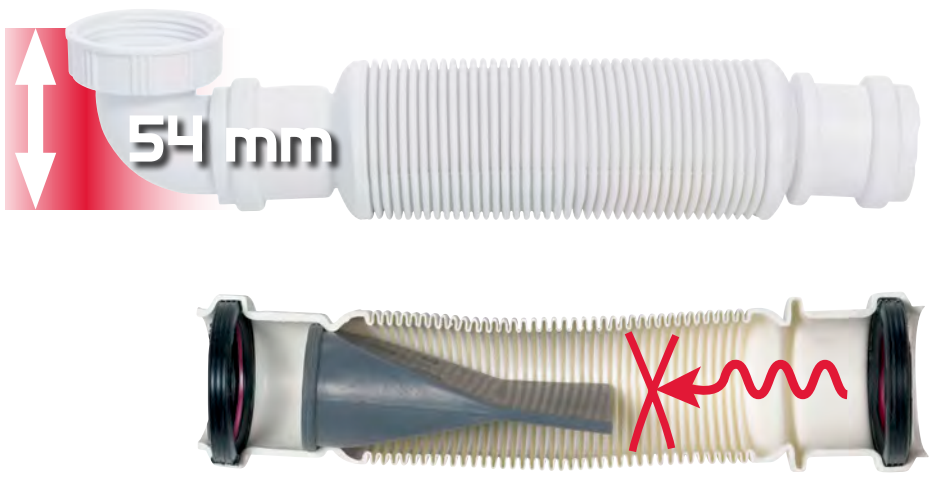


SENZO

WATERLESS MEMBRANE TRAP **SENZO**





> **FLEXIBLE:**
Easy to install with no effort - push fit.



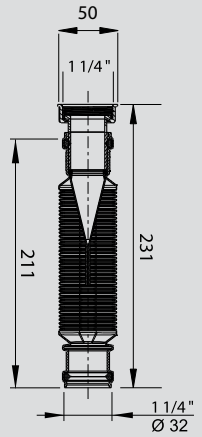
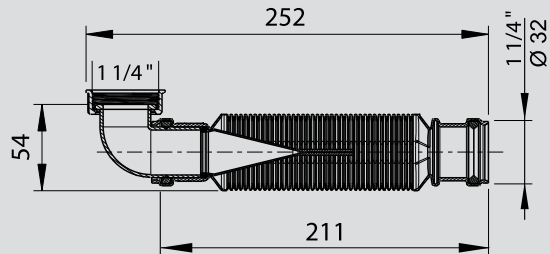
> **WATERLESS SILICONE MEMBRANE TRAP:**
No smell guaranteed.



> **ULTRA COMPACT:**
Only 54mm in height with 90 degree elbow.



> **CAN BE INSTALLED VERTICALLY:**
For pedestal installations.



Description	SENZO WITH 90° ELBOW	SENZO FOR PEDASTAL INSTALLATION
Reference	31560006	30717469*
EAN code	3375537160167	3375537174669
Packaging	Bag	Bag
Multiple / Box qty	01/50	01/35
Flow rate in l/mn (Under 15mm of water)	38 L/mn	62 L/mn
Height mm	125 < 170 mm	70 L/mn in vertical position

- ▶ Available in 1 1/2" - see page 128. *See Spares & Accessories section for adaptor
- ▶ Already have ABS pipe installed? 31560002 can also be used with ABS pipe using a solvent weld adaptor 39452002. NB: The adaptor is not to be solvent welded to the Senzo, only the ABS pipe



SINK

BOTTLE TRAPS



SPACE SAVING TRAPS



COMBINATION WASTES



wiaquin **neo** **AIR**

Lifetime guaranteed!

AIR SYSTEM

Integrated ventpipe

- ✓ **ZERO** Odours
- ✓ **ZERO** Noise
- ✓ **ZERO** Syphoning

QUICK-SAFE
Installation

- ✓ **ZERO** Leaks
- ✓ **ZERO** Hassle



EN 274

MADE IN
FRANCE

9 AWARDED

Put an end to
bad smells
and leaks!

wirquin **neo** **AIR**
Lifetime guaranteed!

9
AWARDED

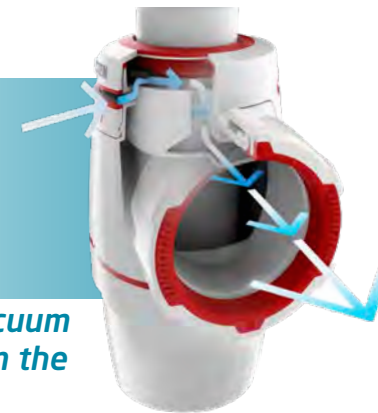
LIFETIME
GUARANTEED
GUARANTEE

AIR SYSTEM *Integrated ventapipe*

Prevents the suction of the water seal trap thanks to the membrane.

- ✓ **ZERO** Odours
- ✓ **ZERO** Noise
- ✓ **ZERO** Syphoning

Replaces the traditional anti-vacuum by creating natural ventilation in the pipes



QUICK-SAFE *Installation*

Easy and quick installation 100% waterproof thanks to the bi-injected washer



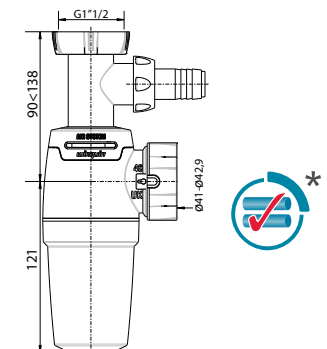
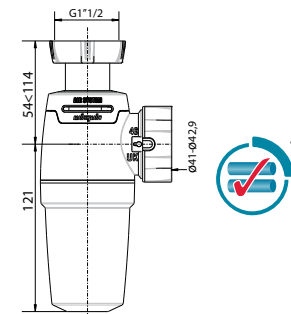
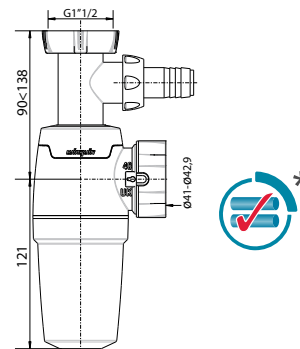
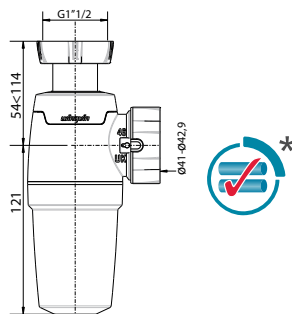
- ✓ **ZERO** Leaks
- ✓ **ZERO** Hassle

BOTTLE TRAPS



Description	WIRQUIN NEO	WIRQUIN NEO WITH WMC	WIRQUIN NEO AIR	WIRQUIN NEO AIR WITH WMC
Reference	30722166	30120429	30722168	30120439
EAN code	3375537220892	5017134134223	3375537220915	5017134134230
Packaging	Film	Bag	Film	Bag
Multiple / Box qty	01/50	01/14	01/50	01/14
Depth of seal	80 mm	80 mm	80 mm	80 mm
Flow rate (Under 15mm of water)	55.2 L/mn	59.9 L/mn	55.2 L/mn	59.9 L/mn
Height mm	175>235 mm	211>259 mm	175>235 mm	211>259 mm

Technical drawing

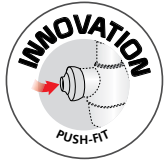


* suitable for ABS pipe, compression fit only

ALL IN ONE

UNIVERSAL

TRAP ALL IN ONE



Description	ALL IN ONE - WHITE	ALL IN ONE - WITH APPLIANCE SPIGOT
Reference	31180002	31190002
EAN code	3375537140435	3375537140442
Packaging	Bag	Bag
Multiple / Box qty	01/45	01/40
Depth of seal mm	50 mm	50 mm
Flow rate in l/mn (Under 15mm of water)	62 L/mn	62 L/mn
Height mm	125 < 170 mm	165 < 200 mm



> UNIVERSAL:

1 1/4" & 1 1/2" a single product to fit basin & sink.



> ADJUSTABLE HEIGHT:

Making it easy to install and fit a range of different heights.



> OVERMOULDED WASHERS:

A perfect seal without the need for washers.



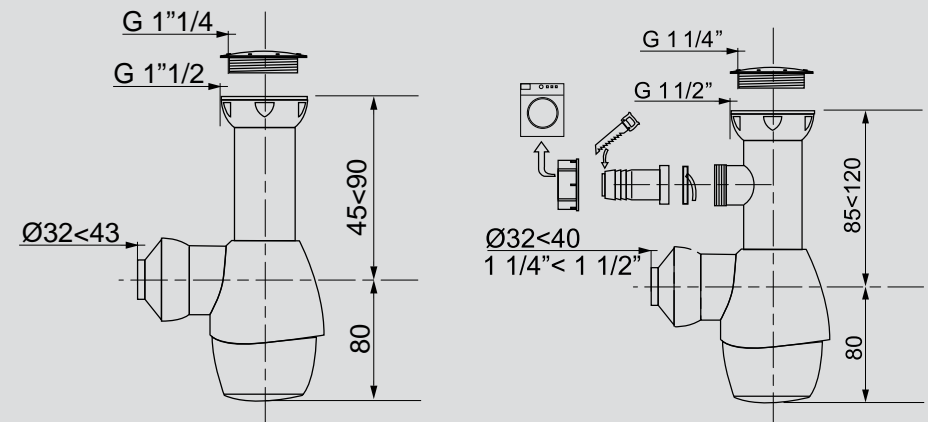
> PUSH-FIT FUNCTION:

Rapid installation.



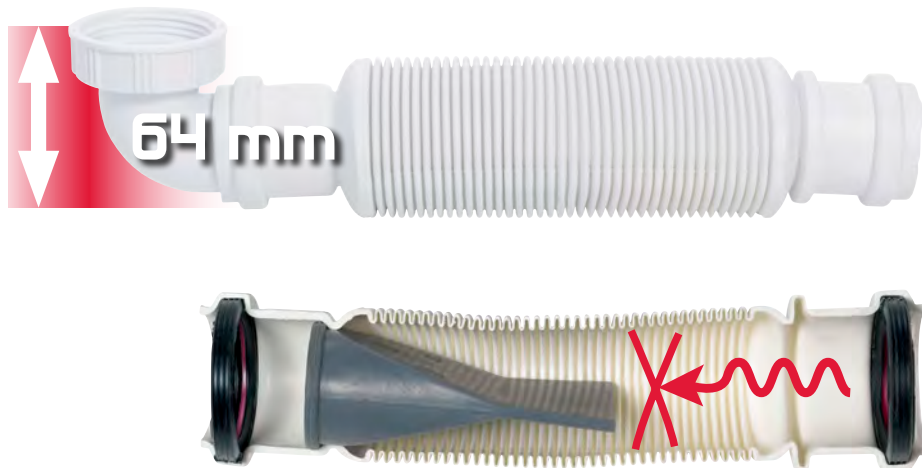
> EASY TO CLEAN:

Simple rotation of the base.



SENZO

WATERLESS MEMBRANE TRAP SENZO



Description	SENZO WITH 90° ELBOW
Reference	31560006
EAN code	3375537160167
Packaging	Bag
Multiple / Box qty	01/50
Flow rate in l/mn (Under 15mm of water)	38 L/mn
Height mm	125 < 170 mm

Available in 1 ¼' - see page 121

> Already have ABS pipe installed? 31160002 can also be used with ABS pipe using a solvent weld adaptor 39452001.

NB: The adaptor is not to be solvent welded to the Senzo, only the ABS pipe.



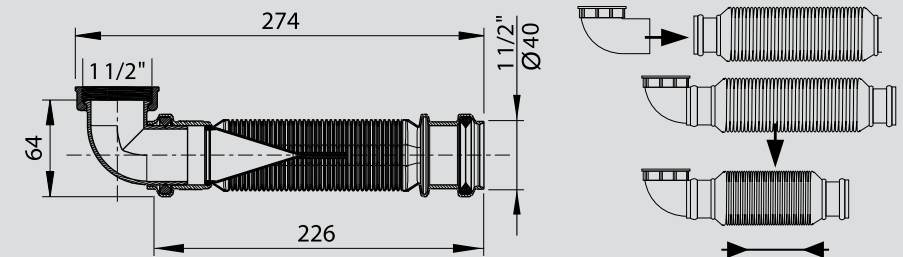
> **FLEXIBLE:**
Easy to install with no effort - push fit.



> **WATERLESS SILICONE MEMBRANE TRAP:**
No smell guaranteed.



> **ULTRA COMPACT:**
Only 64mm in height with 90 degree elbow.



BEFORE



AFTER

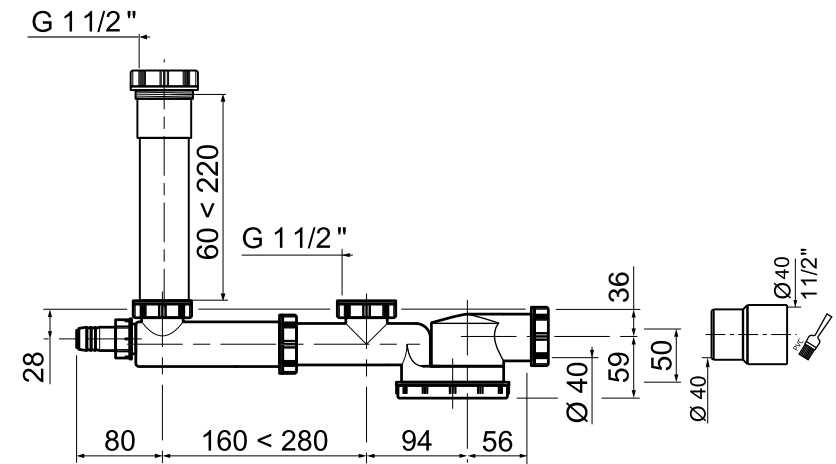
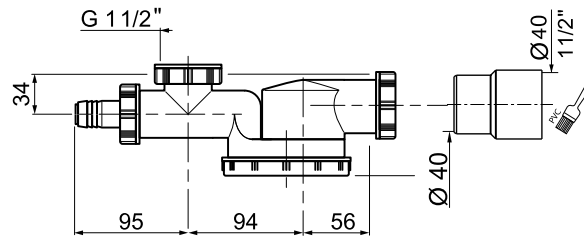


SPACE SAVING TRAPS



Description	SPACE 1 BOWL	SPACE 1 1/2" 2 BOWLS
Reference	31000201	33000203
EAN code	3375539056192	3375539056253
Packaging	Bag	Bag
Multiple / Box qty	01/27	1/30
Depth of seal mm	50 mm	50 mm
Flow rate in l/mn	42 L/mn	

Technical drawing

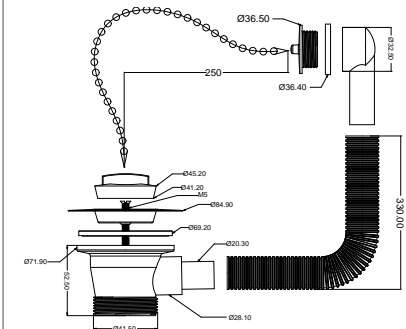
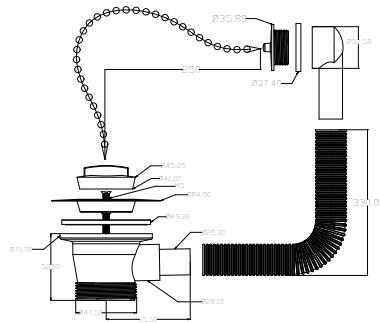


SINK COMBINATION WASTES



Description	POLY PLUG, BLACK OVERFLOW FACE	POLY PLUG, BLACK OVERFLOW FACE	POLY PLUG, CHROMED OVERFLOW FACE	POLY PLUG, CHROMED OVERFLOW FACE	1 1/4" POLY PLUG, CHROMED OVERFLOW FACE
Reference	WSO33SS	WSO32SS	WSO51SS	WSO53SS	WSO50SS
EAN code	5024139069603	5024139070043	5024139068842	5024139074843	5024139078223
Packaging	Box	Bag	Box	Bag	Box
Multiple / Box qty	01/30	01/20	01/30	01/20	01/30
Overflow length mm	330 mm	330 mm	330 mm	330 mm	330 mm
Plug	Ø45 mm Length chain = 255 mm	Ø45 mm Length chain = 255 mm	Ø45 mm Length chain = 255 mm	Ø45 mm Length chain = 255 mm	Ø45 mm Length chain = 255 mm

Technical drawing

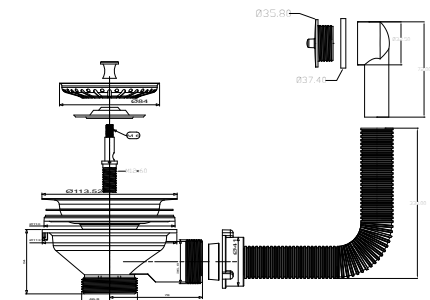
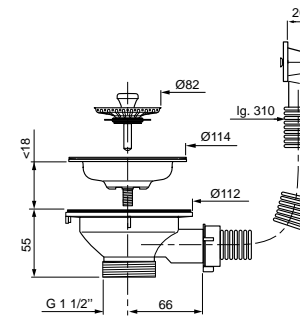
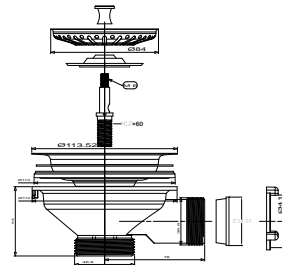
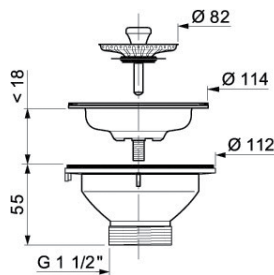


BASKET STRAINERS



Description	STAINLESS STEEL BASKET STRAINER WASTE WITHOUT OVERFLOW	STAINLESS STEEL BASKET STRAINER WASTE WITH OVERFLOW CONNECTION	STAINLESS STEEL BASKET STRAINER WASTE WITH CONTINENTAL OVERFLOW	STAINLESS STEEL BASKET STRAINER WASTE WITH OVERFLOW
Reference	SP2480050	WSB02SS	32440001	WSB70SS
EAN code	3375536019800	5024139064172	3375537128471	5024139058867
Packaging	Bag	Box	Bag	Box
Multiple / Box qty	01/60	01/30	01/40	01/30
Sink size mm	90 mm	90 mm	90 mm	90 mm

Technical drawing



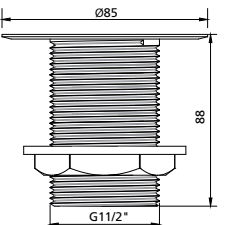
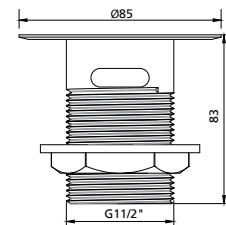
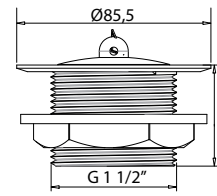
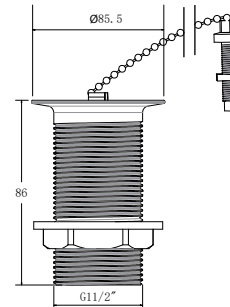
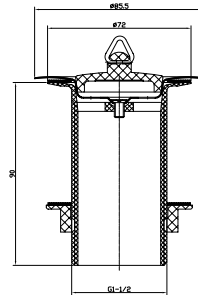
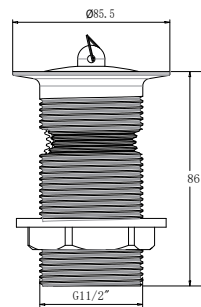
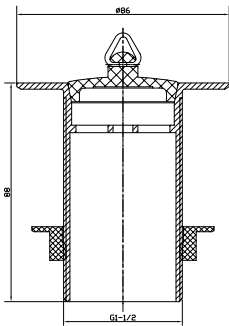
BELFAST SINK



FLUSH GRATED Ø85

Description	POLY PLUG, UNSLOTTED	POLY PLUG, SLOTTED	POLY PLUG, UNSLOTTED	POLY PLUG, UNSLOTTED	POLY PLUG, UNSLOTTED	1 1/2" CHROME PLATED BRASS, SLOTTED, PLASTIC BACKNUT	1 1/2" CHROME PLATED BRASS, UNSLOTTED, PLASTIC BACKNUT
Reference	WSS23CP	WSS25CP	WSS11SS	WSK23CP	WSS21CP	WFS58CP	WFS57CP
EAN code	5024139101372	5024139069900	5024139093479	5024139082879	5024139094568	5024139069924	5024139101341
Packaging	Box	Box	Box	Box	Box	Box	Box
Multiple / Box qty	01/33	01/36	01/81	01/36	01/57	01/33	01/36
Height mm	88	86	90	86	37.5	83 mm	88 mm
Backnut	Plastic	Plastic	Plastic	Plastic	Plastic	Plastic	Plastic

Technical drawing



WASTE SPARES + ACCESSORIES

PLUGS



WASTE ADAPTORS

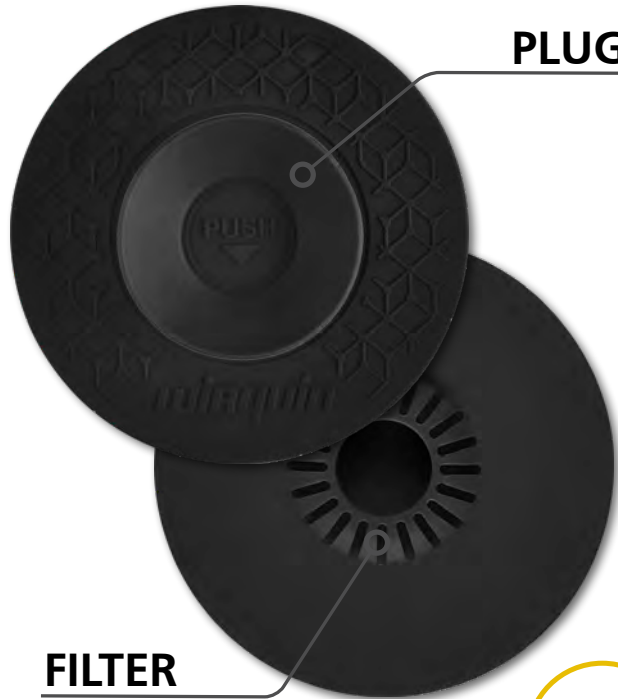


WASTE CONNECTORS



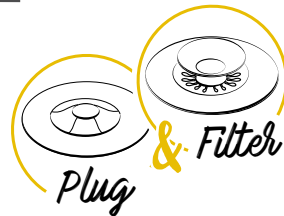
UPPY

UNIVERSAL PLUG UPPY



PLUG

FILTER



Close

Open + Stick function



- > THE SMART 2 IN 1 PLUG FOR KITCHEN AND BATHROOM!
- > 2 IN 1 PLUG: With integrated filter.
- > UNIVERSAL PRODUCT FOR DEFECTIVE PLUGS: 110mm
- > EASY TO CLEAN



Description	Reference	EAN code	Packaging	Multiple/Packaging
UPPY BLACK	30722894	3375537227761	Blister	42
UPPY WHITE	30722337	3375537222575	Blister	42

PLUGS



Description	BATH OR BASIN QUICK CLAC PLUG, STAINLESS STEEL	1 3/4" BATH POP UP PLUG, CHROME	1 1/4" BASIN POP UP PLUG, CHROME	1 1/4" POLY PLUG, BLACK	1 1/4" METAL PLUG, CHROME	1 1/2" POLY PLUG, BLACK	1 1/2" METAL BATH AND SINK PLUG, CHROME	UNIVERSAL PLUG GREY
Reference	SP9260	QHP13CP	QBP13CP	QBP01BL	QBP11CP	QHP01BL	30719942	39224001
EAN code	3375536004745	5024139066343	5024139090676	5024139059239	5024139056948	5024139084804	3375537198658	3375537144594
Packaging	Bag	Bag	Bag	Loose	Bag	Loose	Bag	Blister
Multiple / boxed qty	01/100	01/108	01/150	01/350	01/350	01/500	01/300	01/240

TAP HOLE STOPPERS



Description	TAP HOLE STOPPER, PLASTIC CHROME	TAP HOLE STOPPER, PLASTIC WHITE
Reference	QTH01CP	QTH01WH
EAN code	5024139356222	5024139356253
Packaging	Bag	Bag
Multiple / boxed qty	01/300	01/300

CHAINS



10" BASIN BALL CHAIN + STAY, CHROME	18" BATH BALL CHAIN + S HOOK, CHROME	18" BATH OVAL LINK CHAIN + S HOOK, CHROME
30120627	QHK01CP	QHK11CP
5017134148213	5024139093141	5024139076328
Bag	Bag	Bag
01/1000	01/1000	01/400

ADAPTORS

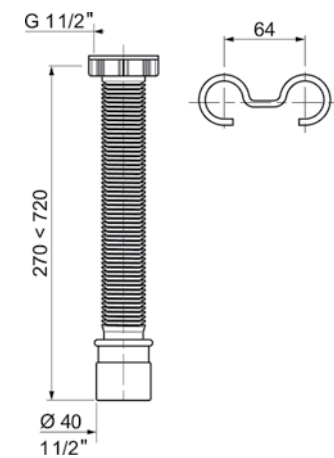
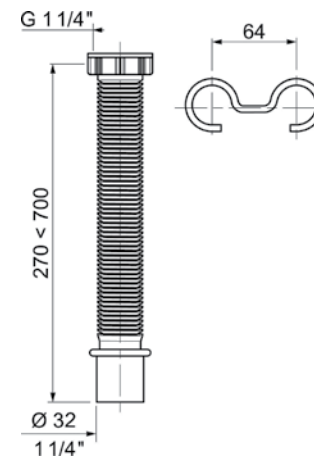


Description	Ø40MM TO Ø1 1/2" - EU TO UK CONVERSION ADAPTOR	Ø32MM TO Ø1 1/4" - EU TO UK CONVERSION ADAPTOR	1 1/4" COMPRESSION ADAPTOR FOR VERTICAL SENZO 30717469
Reference	39452001	39452002	30720532
EAN code	3375539056208	3375537162970	3375537204557
Packaging	Bulk	Bulk	Bag
Multiple / boxed quantity	01/440	01/350	01/300

WASTE CONNECTORS



1 1/4" EXTENDABLE CONNECTOR X Ø32MM OUTLET, SUPPLIED WITH FIXING HOOK	1 1/2" EXTENDABLE CONNECTOR X Ø40MM OUTLET, SUPPLIED WITH FIXING HOOK
73130001	73150001
3375536033578	3375536033592
Bag	Bag
01/120	01/100



SHOWER TRAY FEET

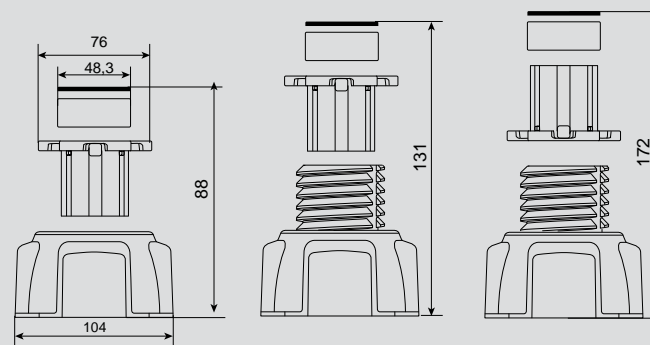
ACCESSORIES SHOWER TRAY FEET



ADJUSTABLE FROM 58mm to 172mm

104mm wide base: To increase reliability and easy floor installation.

- > **ROBUST:** Each foot withstands 450kg.
- > **HEIGHT ADJUSTABLE:** From 58mm – 172mm
- > **ACCURATE SETTING:** Adjustment indicators for precision setting.
- > **STABILITY:** Non-slip pad.
- > **INCREASED SAFETY:** Each foot has four floor fixing points.



> EASY HEIGHT ADJUSTMENT



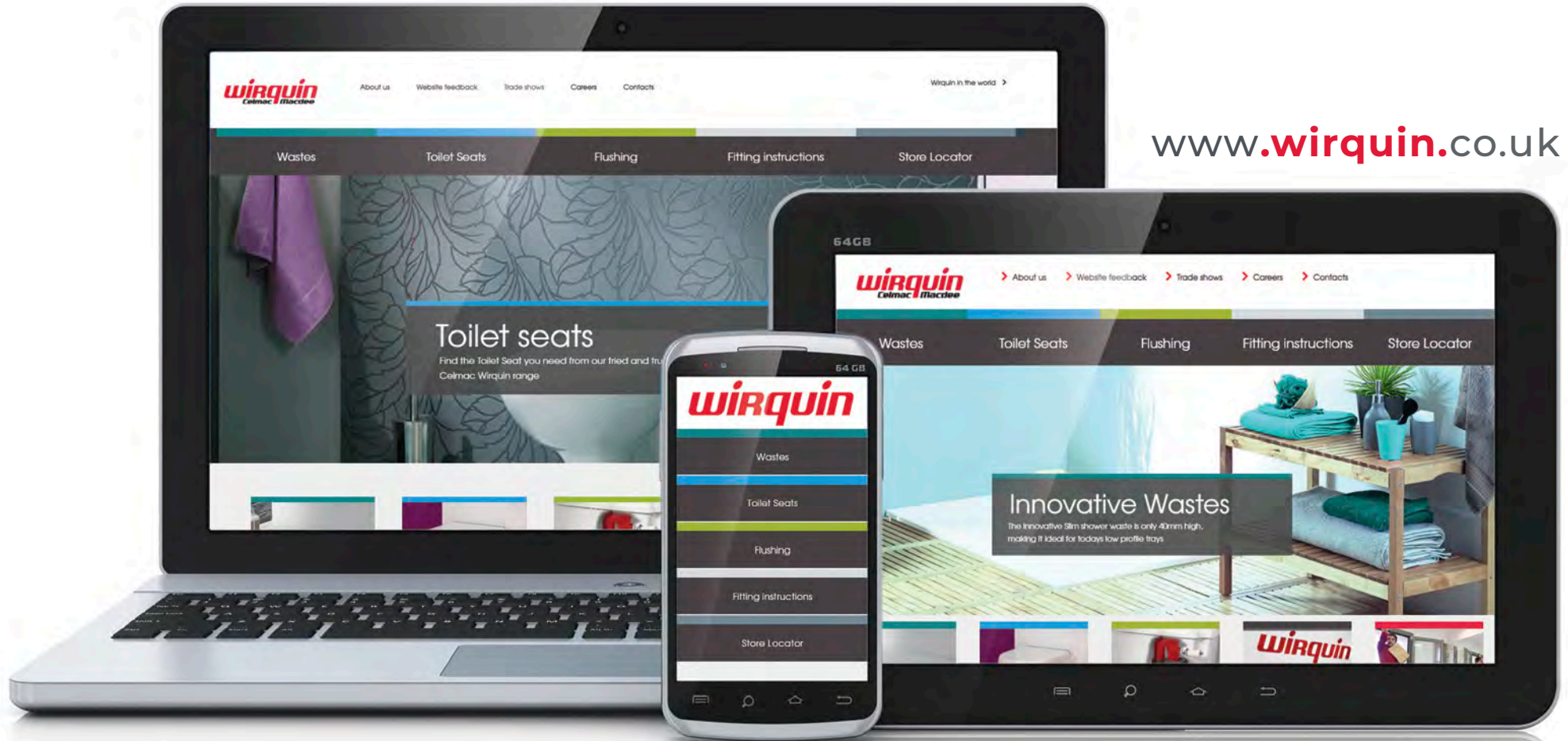
58mm



✓ **TIP:** By removing the extension leg, the tray can be installed with a minimum height of on 58mm.



Reference	30719767
EAN code	3375537196944
Packaging	Bag of 4
Multiple / boxed quantity	01/10

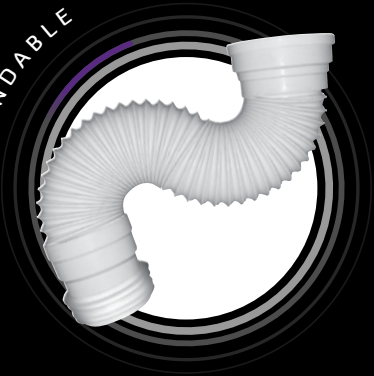


www.wirquin.co.uk

 WirquinLtd  WirquinLtd  WirquinLtd  WirquinLtd UK

WASTE, PIPE + PAN CONNECTORS

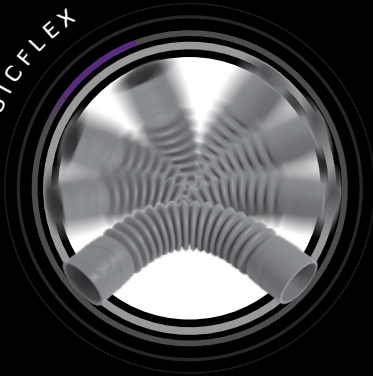
EXTENDABLE



RIGID



MAGICFLEX



wirquin

JOLLYFLEX EXTENDABLE



JOLLYFLEX FLEXIBLE



Description	EXTENDABLE UNIVERSAL	EXTENDABLE LONG	EXTENDABLE SHORT	FLEXIBLE SHORT	FLEXIBLE LONG
Reference	70120613	70975042	70120466	71080101	71080001
EAN code	5017134148077	4620016492635	5017134146608	3375536038979	3375536038986
Packaging	Bag	Film	Film	Film	Film
Multiple / boxed quantity	01/15	01/12	01/15	01/15	01/12
Length mm	260mm < 650mm	290mm < 630mm	200mm < 340mm	240mm < 390mm	320mm < 540mm
Pan outlet mm	Ø80 < Ø105	Ø80 < Ø105	Ø80 < Ø105	Ø80 < Ø105	Ø80 < Ø105
Drain connector mm	Push fit Ø104 < Ø110 Solvent weld Ø93 / Ø100 / Ø110	Push fit Ø95 < Ø110	Push fit Ø95 < Ø110	Push fit Ø104 < Ø110	Push fit Ø104 < Ø110

RIGID

5
YEARS
GUARANTEE



2
YEARS
GUARANTEE



2
YEARS
GUARANTEE



2
YEARS
GUARANTEE



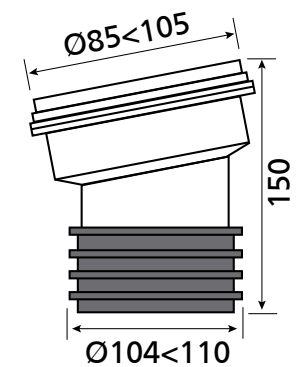
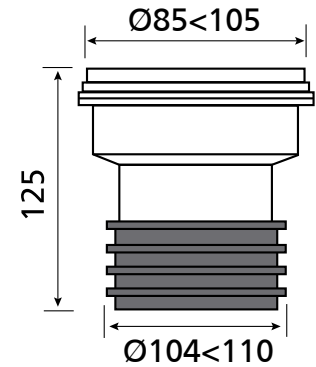
Description	SWAN NECK PAN CONNECTOR	90° PAN CONNECTOR	90° PAN CONNECTOR	PAN CONNECTOR EXTENSION PIECE
Reference	71240201	71240001	70719117	71250001
EAN code	3375537130696	3375537130672	5017134106114	3375537130702
Packaging	Bulk	Bulk	Bag	Bulk
Multiple / Box qty	01/10	01/16	01/12	01/30
Length mm	350mm	305mm	297mm	90mm < 245mm
Pan outlet mm	Ø85 < Ø105	Ø80 < Ø105	Ø85 < Ø105	-
Drain connector mm	Push fit Ø104 < Ø110	Push fit Ø104 < Ø110	Push fit Ø104 < Ø110	Push fit Ø104 < Ø110
Technical drawing				

RIGID



Description	STRAIGHT PAN CONNECTOR	14° ANGLED PAN CONNECTOR
Reference	70719116	70719941
EAN code	5017134106077	5017134106091
Packaging	Bag	Bag
Multiple / Box qty	01/30	01/30
Length mm	125mm	150mm
Pan outlet mm	Ø85 < Ø105	Ø85 < Ø105
Drain connector mm	Push fit Ø104 < Ø110	Push fit Ø104 < Ø110

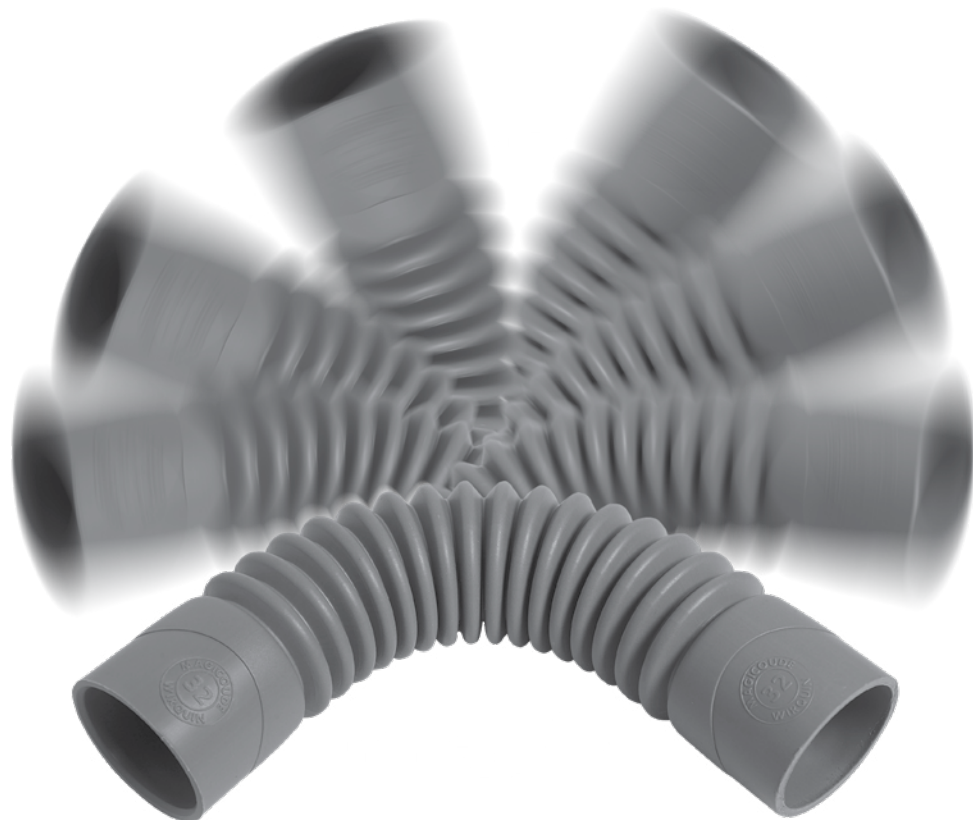
Technical drawing



MAGICFLEX®

PIPE CONNECTORS

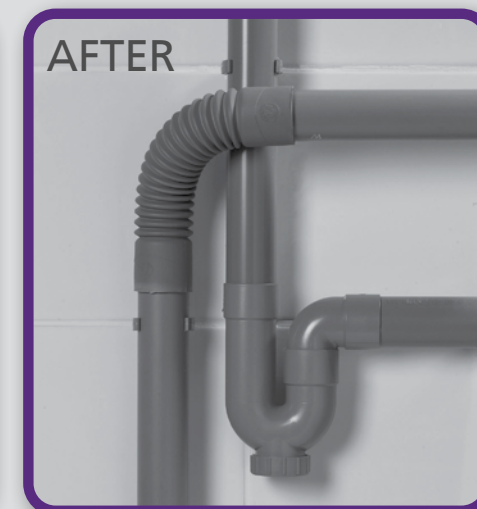
MAGICFLEX® THE FLEXIBLE PIPE CONNECTOR



› AVAILABLE IN SEVERAL VERSIONS:

1 1/2" and 1 1/4" solvent weld: Female-Female.

- › **NO MORE ANGLE CALCULATIONS:** Thanks to its flexible structure, it can take on the desired angle from 0° to 180° and on two different levels in the space available.
- › **IT CAN COMPENSATE FOR MISALIGNMENT BETWEEN TWO PIPES:** It can be compressed for installation on pipes already in place, or in places with difficult access. Its flexible body absorbs contraction and expansion.
- › **MANUFACTURED IN PVC:** Magicflex® connectors can resist detergents (bleach, washing-up liquid, washing powder, drain unblocker, etc.)
- › **THE SAME GREY COLOUR AS USED IN PVC WASTE SYSTEMS:** It can be unobtrusively fitted into the installation.

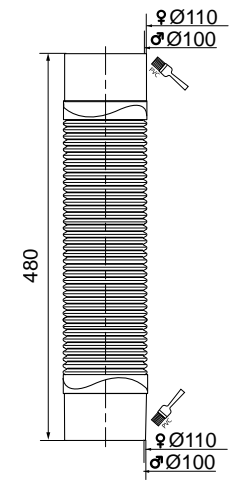
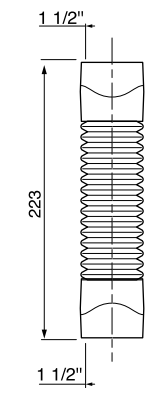
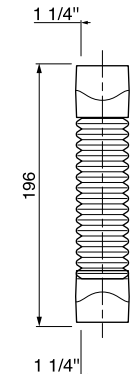
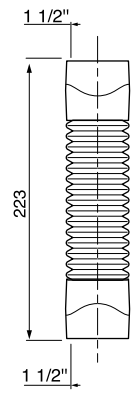
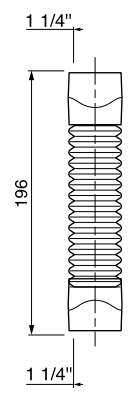


SOLVENT WELD



Description	1 1/4" WHITE	1 1/2" WHITE	1 1/4" GREY	1 1/2" GREY	4" GREY
Reference	79009007	79008006	79009301	79008301	79007001
EAN code	3375539051968	3375539051951	3375537127214	3375537127221	3375539042713
Packaging	Bulk	Bulk	Bulk	Bulk	Bulk
Multiple / Box qty	10/150	10/90	10/150	10/90	01/15

Technical drawing

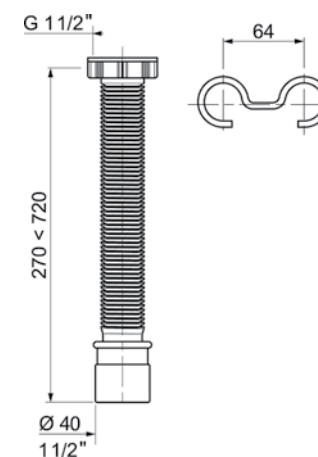
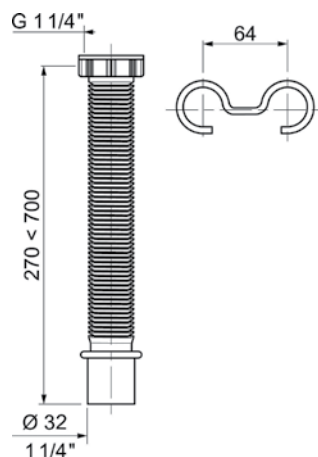


WASTE CONNECTORS



Description	1 1/4" EXTENDABLE CONNECTOR	1 1/2" EXTENDABLE CONNECTOR
Reference	73130001	73150001
EAN code	3375536033578	3375536033592
Packaging	Bag	Bag
Multiple / Box qty	01/120	01/100

Technical drawing





www.wirquin.co.uk

 WirquinLtd  WirquinLtd  WirquinLtd  WirquinLtd UK

BLACK
Touch
COLLECTION



#BeInspired

Give your bathroom **SOME PERSONALITY**

Ideal for small spaces and designed for renovation, the **VENISIO SLIM** shower channel combines compactness performance, while bringing a touch of design to the bathroom.

WETROOM

CHANNEL
VENISIO SLIM | **EXTRA-FLAT CHANNEL FOR WALK-IN SHOWER**



Check out our video tutorials on **ASSEMBLY**



1 A PERFECT FINISH

Fine-tune the frame height by using the adjustable supports (+2mm). Compatible with tiles with a thickness between 8 and 16mm.

2 EXTRA-FLAT

Only 50 mm disbursement height needed.

3 MEMBRANE TRAP

Replaces the water trap for unrivaled performance. Equipped with an anti back-siphoning system, it guarantees no smells, because it replaces the water seal. The membrane is removable and accessible from above.

4 TOTALLY WATERPROOF

For best results use with a self-adhesive butyl band (provided in the pack) and a plaster sealant (not included) for perfect watertightness.

5 EASY TO ADJUST

Divisible, ball-joint feet. Adjustable height.

6 POST INSTALLATION ADJUSTMENT

Grid height adjustable with spacers supplied.

DESCRIPTION	REFERENCE	BARCODE	BOX QTY	FOR FULL DETAILS REFER TO:
VENISIO SLIM L500 MATT BLACK	30723465	3375537233472	01 / 04	Page 88

New features and design to expand our Slim range. Especially designed to fit the flattest trays on the market, in Ø 90 thanks to its low height: **ONLY 40 MM!** The silicone membrane guarantees easy maintenance (accessible from the top) and prevents smells coming back up.

SHOWER

SHOWER WASTE
SLIM

**ULTRA-FLAT
WASTE FOR
SHOWER TRAYS**



1 GRID: It's black mat dome in ABS with a refined design, easily fits on to the adaptor.

2 EXTRA-FLAT: This waste is compact (only 40 mm), and is especially designed for extra-flat shower trays. It allows a simple and precise fitting. It is perfectly adapted to facilities for people with reduced mobility.

3 EASY TO CLEAN

The membrane is removable, accessible from above and is fitted with a hair filter.

Equipped with an anti back-siphoning system, it guarantees no smells, because it replaces the water seal.

DESCRIPTION	REFERENCE	BARCODE	BOX QTY	FOR FULL DETAILS REFER TO:
SLIM BLACK TOUCH WITH MEMBRANE Ø43 MM	30722860	3375537227433	01 / 25	Page 94



NANO 6.7 basin waste + trap combinations designed to satisfy the demands of plumbers and end users



BASIN

WASTE AND TRAP

NANO 6.7

ULTRA-COMPACT
BASIN WASTE AND TRAP



BEFORE

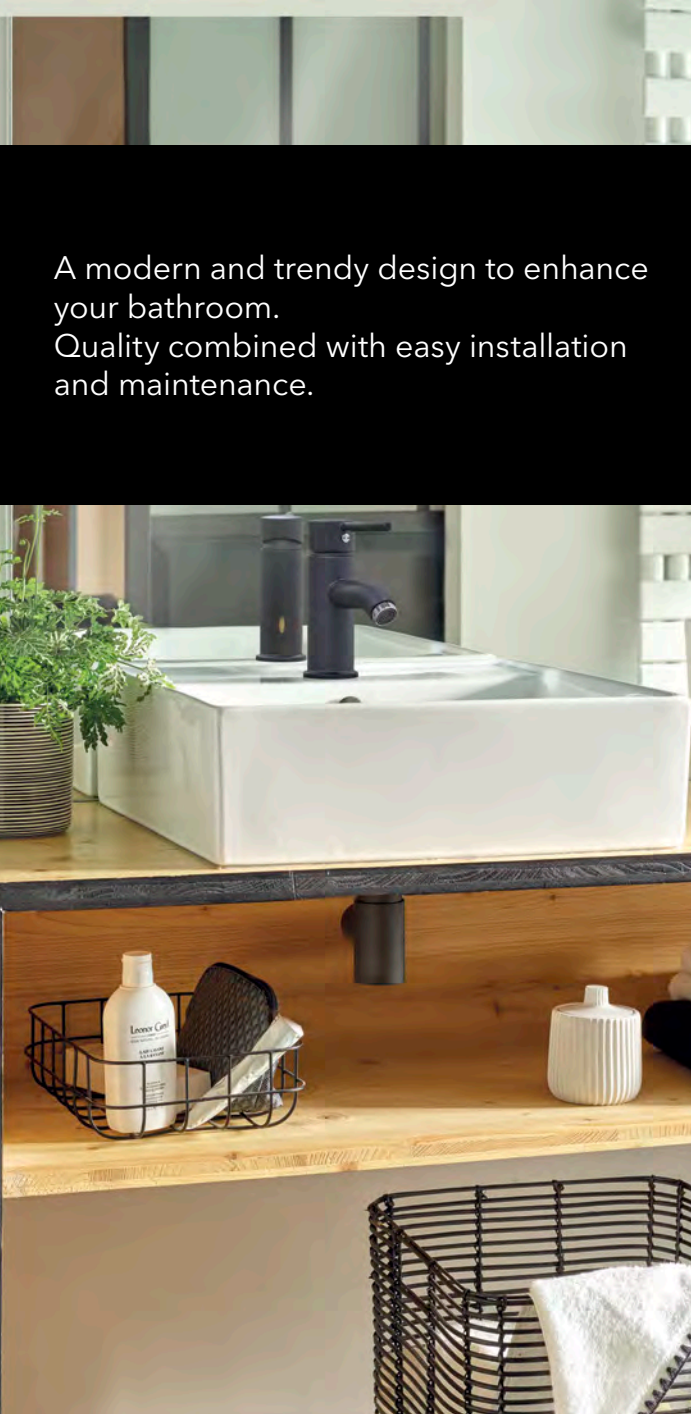


AFTER



- 1** TOP ACCESS CLEANING: Trap accessible from above.
- 2** WATERLESS MEMBRANE TRAP: Replaces traditional water seal for an unrivalled performance:
 - no smell guaranteed
 - total protection against back siphoning
- 3** ULTRA COMPACT: Only 6.7cm high, more space under the basin.
- 4** INTEGRATED OVERFLOW SLOT: Can be uncapped to suit installation
- 5** 360° SWIVEL: Compensates for alignment faults.
- 6** ± 4° VERTICAL TILT: Takes pressure off the pipes.
- 7** SINGLE CLIP BODY: Quick, easy installation - you can do it blind and with one hand.
- 8** THE 'QUICK SAFE' FUNCTION: Captive nut with quarter-turn operation. Overmoulded washer for total reliability against leaks..

DESCRIPTION	REFERENCE	BARCODE	BOX QTY	FOR FULL DETAILS REFER TO:
NANO 6.7 BLACK TOUCH	30120584	5017134147780	01 / 08	Page 110



A modern and trendy design to enhance your bathroom. Quality combined with easy installation and maintenance.

BASIN

BRASS WASTE AND TRAP

DESIGNER **DESIGNER BRASS**
BASIN WASTE AND TRAP



1 QUICK-CLAC BRASS WASTE 75 MM: For washbasin with integrated overflow. Matt black finish.

2 DESIGN BRASS BOTTLE TRAP:

Matt black finish. Space saving brass bottle trap adjustable in height from 100 to 150 mm with tube and flange. Flowrate: 40L/min. Depth of seal: 10mm

Care and cleaning tips: to protect your installation, do not use cleaning products or unclogging products containing sulphuric acid. When cleaning your washbasin rinse even when using surface wipes.

DESCRIPTION	REFERENCE	BARCODE	BOX QTY	FOR FULL DETAILS REFER TO:
1.25" QUICK-CLAC BRASS WASTE	30722869	3375537227518	01 / 32	Page 112
1.25" DESIGN BRASS BOTTLE TRAP	30722858	3375537227419	01 / 15	Page 126



UPPY, the smart 2 in 1 silicone plug for kitchen and bathroom!



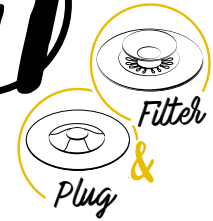
BATH, BASIN & SINK

UNIVERSAL PLUG

UPPY

UNIVERSAL
PLUG

2 in 1



Open



Close



- 1** 2 IN 1 PLUG: To stop water flow and filter with the basket.
- 2** A SMART PRODUCT: Easy to open and close + stick function.
- 3** UNIVERSAL PRODUCT: A silicone plug in Ø110mm to replace plugs for bath, basin and sink.
- 4** EASY TO CLEAN: By simply washing it in the dishwasher.

DESCRIPTION	REFERENCE	BARCODE	BOX QTY	FOR FULL DETAILS REFER TO:
UPPY - 2 IN 1 UNIVERSAL PLUG BLACK TOUCH	30722894	3375537227761	01 / 42	Page 134

TERMS & CONDITIONS

1. GENERAL

For our latest General Terms & Conditions please refer to our website www.wirquin.co.uk/legal-notices.html

2. ELECTRONIC TRADING

- 2.1 If the Company and Customer agree that electronic trading between them shall be a basis for order processing and invoicing then the Standard Interchange Agreement (3rd Edition December 1993 as amended or revised from time to time) of the Electronic Commerce Association (or any successor body or association) shall be incorporated into the contract by reference. If and to the extent of any conflict or inconsistency between these conditions and the Standard Interchange Agreement, the former shall prevail.
- 2.2 Electronic orders shall be valid if all the information agreed between the Customer and the Company as being required is properly set out in the agreed format and the order is transmitted by the Customer to the Company by reference to the correct identification code and is received by the Company when collecting its electronic mail from the relevant system.
- 2.3 Each valid electronic order will be deemed to be accepted by the Company unless the Company communicates rejection of the order to the Customer by electronic or other means (including telephone) within two working days of receipt. Acceptance of an order shall constitute a contract for sale and purchase to which these conditions and the Standard Interchange Agreement shall apply.

3. DELIVERY

For General Terms & Conditions please refer to our website www.wirquin.co.uk/legal-notices.html

4. RISK AND TITLE

- 4.1 Risk in the Products shall pass to the Customer upon delivery and the Customer is then solely responsible for all loss, damage or deterioration to the Products.
- 4.2 Title to the Products shall not pass to the Customer until either:-
- 4.2.1 The Company has received in full (in cash or cleared funds) all monies payable (whether or not due) to the Company under this and any other contracts for Products once agreed between the Company and the Customer including contracts made after this contract; or
- 4.2.2 when the Company serves on the Customer notice in writing specifying that title in the Products or any part thereof has passed; or
- 4.2.3 the Customer resells the Products, in which case title to the Products shall pass to the Customer at the time specified in clause 4.5.
- 4.3 Until title has passed to the Customer the Company may require the Customer to deliver up to the Company all Products in respect of which the Company has title and if the Customer fails to do so forthwith the Company's officers, employees, representatives or agents shall be entitled to enter upon any premises where such Products are kept for the purpose of recovering the same.
- 4.4 Until title to the Products has passed to the Customer pursuant to these conditions the Customer shall:
- 4.4.1 possess the Products as fiduciary agent and bailee of the Company;
- 4.4.2 store the Products separately from all other goods held by the Customer not owned by the Company;
- 4.4.3 maintain the Products in satisfactory condition and ensure that they are fully insured on an all risks basis for their full price from the date of delivery;

- 4.4.4 ensure that the Products are clearly identifiable as belonging to the Company;
- 4.4.5 not remove, deface or obscure any identifying mark or packaging on or relating to the Products;
- 4.4.6 give the Company such information relating to the Products as the Company may require from time to time;
- 4.4.7 notify the Company immediately if it becomes subject to any of the events listed in clause 16; and
- 4.4.8 permit the Company to enter upon any premises where such Products are kept for the purpose of satisfying itself that this condition is being complied with by the Customer.
- 4.5 Subject to clause 4.6, the Customer may resell or use the Products in the ordinary course of its business (but not otherwise) before the Company receives payment for the Products. However, if the Customer resells the Products before that time:
- 4.5.1 it does so as principal and not as the Company's agent; and
- 4.5.2 title to the Products shall pass from the Company to the Customer immediately before the time at which resale by the Customer occurs.
- 4.6 If before title to the Products passes to the Customer the Customer becomes subject to any of the events listed in clause 16, then, without limiting any other right or remedy the Company may have:
- 4.6.1 the Customer's right to resell the Products or use them in the ordinary course of its business ceases immediately; and
- 4.6.2 the Company may at any time:
- 4.6.2.1 require the Customer to deliver up all Products in its possession which have not been resold, or irrevocably incorporated into another product; and
- 4.6.2.2 if the Customer fails to do so promptly, enter any premises of the Customer or of any third party where the Products are stored in order to recover them.

5. CANCELLATION AND AMENDMENT

No contract can be amended or cancelled except with the Company's approval in writing and should such approval be given the Customer shall indemnify the Company against any costs losses or expenses resulting from any cancellation or amendment.

6. PRICES

- 6.1 The price of the Products shall be the price set out in the Company's most up to date price list.
- 6.2 Unless otherwise agreed in writing all prices are net for delivery (ex-works) and VAT and any other applicable taxes are payable in addition.
- 6.3 Unless otherwise stipulated by the Company in writing prices are payable in Sterling or if the Sterling currency shall cease to exist when the contract is made, shall be payable in such currency as replaces the Sterling currency.
- 6.4 The Company shall be entitled at any time by giving notice in writing, before delivery to make a reasonable adjustment to the price in the event of any alteration in quantity, design or specification requested by the Customer.
- 6.5 The Company reserves the right at any time prior to delivery by giving notice in writing to increase the price if:
- 6.5.1 there is any increase in the cost of materials labour transport or utilities or if the costs of the Company are increased by any other factor beyond the reasonable control of the Company (including but not limited to foreign exchange fluctuations, increases in taxes and duties); or
- 6.5.2 there is any delay caused by any instructions of the Customer or failure of the Customer to give the Company adequate or accurate information or instructions.

6.6 The Customer shall be liable to the Company for any demurrage costs incurred in the event of vehicles being unduly delayed at the point of delivery.

7 TERMS OF PAYMENT

7.1 Unless otherwise agreed by the Company in writing payment shall be made within 30 days from the date of invoice and the Company shall be entitled to issue invoices in the month in which the Products are delivered or would have been delivered save for postponement otherwise then due to default on the part of the Company. Time for payment of the price is of the essence of the contract.

7.2 No disputes arising under this contract (or any other contract between the Company and the Customer) shall serve to permit payment by the Customer of sums due to the Company to be delayed nor shall such disputes interfere with or prevent the Customer from making prompt payment in full and cleared funds. The Customer shall not be entitled to make any deduction from sums owing to the Company by reason of any such dispute.

7.3 In the event of default in payment by the Customer the Company shall be entitled without prejudice to any other right or remedy:

7.3.1 to immediately suspend without notice all further deliveries on this or any other contracts between the Company and the Customer; and/or

7.3.2 to charge interest on a daily basis from the due date until actual payment (after as well as before judgement) on any amount outstanding at the rate of 4% per annum above the base rate of HSBC Bank plc from time to time; and/or

7.3.3 to serve notice on the Customer requiring immediate payment for all Products supplied by the Company under this and all other contracts between them whether or not payment is otherwise due or invoiced.

7.4 The Company reserves the right to request a financial guarantee in respect of any order placed by a Customer and the Company may at its option delay or refuse any such order until an acceptable form of guarantee is provided by the Customer.

8 SPECIFICATIONS

For General Terms & Conditions please refer to our website www.wirquin.co.uk/legal-notices.html

9 LOSS SHORTAGES AND DAMAGE APPARENT ON DELIVERY INSPECTIONS

9.1 The Customer shall have no claim for loss, shortages or damage on delivery which are or would be apparent on inspection unless the Customer:

9.1.1 Unpacks and inspects the Products as soon as reasonably practicable following receipt;

9.1.2 notifies the Company of any loss, shortages or damage (otherwise then by a qualified signature on the delivery note) within 48 hours of receipt; and

9.1.3 demonstrates to the satisfaction of the Company that such loss, shortages or damage occurred prior to delivery.

9.2 The Customer shall have no rights in respect of loss, shortages or damage unless the Company is given reasonable opportunity to inspect the Products and investigate any complaint before any use of or alteration to or interference with the Products.

9.3 On a valid complaint made in accordance with this Clause 9 the Customer shall be entitled (in the case of notified shortages) to receive within a reasonable time a delivery of Products equivalent to the shortfall and (in the case of defects) the Company at its option shall repair, replace or provide a credit for the price of the affected Products but the Company shall have no further liability whatsoever. If a complaint of loss, shortages or damage on delivery is not made to the Company in accordance with this Clause 9 then the Products shall be deemed to be delivered complete and undamaged in accordance with the contract and the Customer shall be bound to pay for the same accordingly.

9.4 Loss, shortages or damage in a delivery or any instalment delivery shall not be a ground for termination by the Customer of the contract or the remainder of the contract (as the case may be).

10 WARRANTY

For General Terms & Conditions please refer to our website www.wirquin.co.uk/legal-notices.html

11 LIABILITY

11.1 The Company does not limit or exclude its liability under these conditions for:

11.1.1 breach of the terms implied under Section 12 of the Sale of Goods Act 1979 (good title) (as amended by the Sale and Supply of Goods Act 1994);

11.1.2 death or personal injury caused by its negligence or the negligence of its employees, agents or subcontractors (as applicable) as defined in the Unfair Contract Terms Act 1977;

11.1.3 fraud or fraudulent misrepresentation;

11.1.4 defective products under the Consumer Protection Act 1987; or

11.1.5 any matter in respect of which it would be unlawful for the Company to exclude or restrict liability.

11.2 Save as provided under Clauses 9, 10 and 11.1;

11.2.1 the Company shall have no liability to the Customer;

11.2.2 the Company's total liability, whether in respect of one claim or in the aggregate shall not exceed the contract price payable under this contract for the supply of Products to be provided under it.

11.3 The Customer acknowledges that the limitation of the Company's liability is reasonable in all the circumstances and the Customer agrees that it is its own responsibility to insure adequately to cover any loss or damage in excess of the aforesaid limit of the Company's liability. Subject to reaching agreement on terms, the Company and the Customer may determine an increased level of liability which is to be accepted in Writing by the Company to cover, in particular specific types of loss or damage which both parties reasonably foresee and anticipate.

11.4 In this clause 11 the term "liability" means any form of liability or loss whatsoever including but not limited to loss whether in misrepresentation under contract, common law, equity, tort and any breach of statutory provision whether or not based on negligence or breach of any express or implied duty, or otherwise for any loss other than strictly direct losses (meaning for these purposes the increased costs of purchasing products from a third party or the cost of remedial repair work) and specifically consequential, financial or economic loss whether direct or indirect including but not limited to any incidental costs of dismantling, fitting or other ancillary work required in connection with the provision of a repair or replacement, any loss of production, profits, contracts, loss of use or anticipated savings and any claims made against the Customer by any third party are excluded.

11.5 To the extent that any liability of the Company is expressed to be limited or excluded by these conditions the Customer shall indemnify the Company in respect thereof.

12 CONFIDENTIAL INFORMATION ETC

For General Terms & Conditions please refer to our website www.wirquin.co.uk/legal-notices.html

13 INTELLECTUAL PROPERTY INDEMNITIES

For General Terms & Conditions please refer to our website www.wirquin.co.uk/legal-notices.html

14 CUSTOMER'S DRAWINGS

For General Terms & Conditions please refer to our website www.wirquin.co.uk/legal-notices.html

15 COMPANY LITERATURE

The information contained in the advertising, sales, samples, technical and other descriptive literature issued by the Company including any illustrations performance details, examples or installations and methods of assembly and all other information and data in such literature are based on experience and upon trials under test conditions and are approximate and provided for general guidance only. No such information or data shall form part of the contract unless it is specifically referred to in the quotation or order acknowledgement or the Customer shall have complied in respect thereof with Clause 1.11.

16 TERMINATION

- 16.1 Without prejudice to any other rights or remedies of the Company, the Company shall be entitled in any of the following circumstances to terminate (in whole or in part) with immediate effect by giving written notice of this and any other contract whenever made between the Company and the Customer and/or to suspend deliveries and/or to receive upon demand payment of all monies payable under any such contracts whether or not otherwise due:
- 16.1.1 the Customer makes or proposes any voluntary arrangement with its creditors or enters into negotiation with its creditors with a view to rescheduling its debts;
 - 16.1.2 the Customer becomes subject to an administration order or an application is made to court or becomes bankrupt or goes into liquidation;
 - 16.1.3 a creditor or an encumbrancer of the Customer takes possession or a receiver is appointed (or a person is able to appoint a receiver) of the whole or any part of the property or assets of the Customer;
 - 16.1.4 the Customer suspends, or threatens to suspend, payment of its debts, or becomes unable to satisfy its debts as they fall due, or is deemed unable to pay its debts within the meaning of the Insolvency Act 1986;
 - 16.1.5 the Customer ceases, suspends or threatens to cease or suspend to carry on all or a substantial part of its business;
 - 16.1.6 a petition is filed, a notice is given, a resolution is passed, or an order is made, for or in connection with the winding up of the Customer;
 - 16.1.7 the Company reasonably believes that any of the events mentioned above or any equivalent or similar event under any relevant laws in any other jurisdiction to which the Customer or any connected person is subject has or may occur;
 - 16.1.8 the Customer or any connected person commits any breach of this or any other contract whenever made between the Customer and the Company; or
 - 16.1.9 if the Customer fails to pay any amount due under this Contract on the due date for payment.
- 16.2 On termination of the Contract for any reason the Customer shall immediately pay to the Company all of the Company's outstanding unpaid invoices and interest.
- 16.3 Termination of the Contract, however arising, shall not affect any of the parties' rights, remedies, obligations and liabilities that have accrued as at termination.

17 FORCE MAJEURE

For General Terms & Conditions please refer to our website www.wirquin.co.uk/legal-notice.html

18 TOOLS

For General Terms & Conditions please refer to our website www.wirquin.co.uk/legal-notice.html

19 CONSUMER PROTECTION ACT 1987

For General Terms & Conditions please refer to our website www.wirquin.co.uk/legal-notice.html

20 HEALTH & SAFETY

For General Terms & Conditions please refer to our website www.wirquin.co.uk/legal-notice.html

21 NOTICES

For General Terms & Conditions please refer to our website www.wirquin.co.uk/legal-notice.html

22 GENERAL (LAW AND JURISDICTION)

The contract shall be governed and interpreted exclusively according to the Laws of England.

For General Terms & Conditions please refer to our website www.wirquin.co.uk/legal-notice.html

23 PRIVACY AND COMMUNICATIONS

Should you wish to not receive this catalogue, or any other communications from us, please contact communications@wirquin.co.uk to be removed from our mailing list.



wirquin

PLUMBING - SANITARYWARE



www.wirquin.co.uk

Customer services: 0333 222 4488