

Omnicare Design with Grab Rail

Thermostatic Electric Shower

Product Codes

Omnicare Design 8.5Kw with Grab Kit	TEOMNDG81
Omnicare Design 9.5Kw with Grab Kit	TEOMNDG91

Installation

- Multiple pipe and cable entry points, a generous footprint and a fixing hole kit, the Omnicare Design with Grab Rail is designed with ease of replacement in mind

Commissioning

- Simple 2 minute commissioning process

End User

- Large soft press start/stop button
- Power on illumination along with audible feedback allows ease of use for all users
- Tactile temperature dial with soft grey tones offers helpful visual contrast
- Looped lever handle with low resistance operation
- Safe-set™ allows the maximum temperature to be set internally whilst allowing full rotation of temperature dial
- Constantly regulating water temperature within +/- 1°C, (BEAB Care standard)
- Set the duration of the shower ranging from 5 minutes to 30 minutes
- Dual purpose Grab Riser Rail designed to withstand up to 150kg support load
- 2m hose and a lower level handset holder offered with the Grab Riser Rail, providing flexibility for seated or standing showering
- Easy clean inclusive 5 spray pattern showerhead with removable spray plate



SAFETY CRITICAL
TRITON ACCESSORY

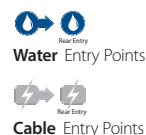
Omnicare Design with Grab Rail

Thermostatic Electric Shower

Shower

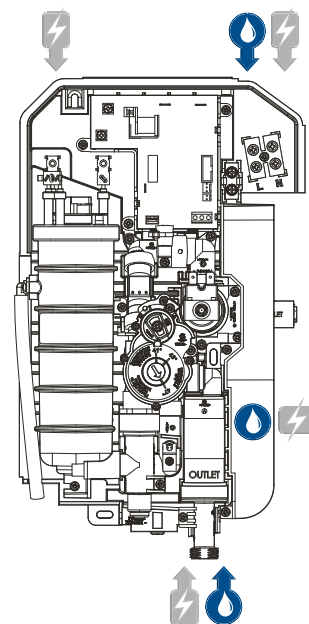
Temperature stability	Thermostatic +/-1°C with Tri-Therm™
Power ratings	8.5kW & 9.5kW (at 240V)
Finish	White
Adjustable max temperature	41°C or 43°C with Safe-Set™
Timed auto shutdown	5, 10, 20 or 30 mins (default 20 mins)
Start/stop type	Electronic soft press button
	Start/stop button & temperature control dial
Audible feedback	Start/stop and timer end confirmation
Visual indicators	Power-on/timer/low flow illumination
Water connection	15mm swivel inlet (up/down)
Terminal block	16mm max cable
Waste pump connection(s)	Analogue
Water supply	Mains cold water
Water pressure min	Recommended 1.0 bar (BEAB Care) @ 8 l p/m
Water pressure max	10 bar (static)
Removable pipe/cable trims	Top & bottom (15mm pipework & 38mm cable trunking)
Other installation aid(s)	Wall mounting template

Diagram Key:



Dimensions:

H: 361mm
W: 245mm
D: 126mm



Riser Rail Kit

Grab version

Length	940mm
Material	Stainless Steel
Finish	Polished
Support load (max)	150kg
Fixing brackets	5 fixing points / 70mm diameter
Hose	2m Anti-twist Chrome

IMPORTANT MAINTENANCE NOTICE

Replacing specified Triton accessories for this Omnicare unit will aid optimum performance and keep the unit within the allocated guarantee period



Omnicare Design Grab Kit
GAOMDGF1



2m Anti-twist Hose - Chrome
TSHG1266



Inclusive Showerhead
(5 Spray Pattern)
TSHECAREWHT

Contact our specification team

Call: 02476 324 776 | Email: specification@tritonshowers.co.uk | Web: www.tritonshowers/specifiers

(1) Tri-Therm™ constantly regulating flow, blending water and adjusting the power to precisely control the showering temperature.
(2) Safe-Set™ tamper proof maximum temperature setting whilst allowing full rotation of the temperature dial.
(3) The shower will operate down to 0.5 bar at reduced flow rates.

Omnicare Design Digital with Grab Rail

Thermostatic Electric Shower

Product Codes

Omnicare Design 8.5Kw with Grab Kit	TEOMNDDG81
Omnicare Design 9.5Kw with Grab Kit	TEOMNDDG91

Installation

- Multiple pipe and cable entry points, a generous footprint and a fixing hole kit, the Omnicare Design Digital with Grab Rail is designed with ease of replacement in mind

Commissioning

- Simple 2 minute commissioning process

End User

- Large soft press start/stop button
- Power on illumination along with audible feedback allows ease of use for all users
- Tactile temperature dial with soft grey tones offers helpful visual contrast
- Looped lever handle with low resistance operation
- Safe-set™ allows the maximum temperature to be set internally whilst allowing full rotation of temperature dial
- Constantly regulating water temperature within +/- 1°C, (BEAB Care standard)
- Set the duration of the shower ranging from 5 minutes to 30 minutes
- Dual purpose Grab Riser Rail designed to withstand up to 150kg support load
- 2m hose and a lower level handset holder offered with the Grab Riser Rail, providing flexibility for seated or standing showering
- Easy clean inclusive 5 spray pattern showerhead with removable spray plate



SAFETY CRITICAL
TRITON ACCESSORY


Omnicare Design Digital with Grab Rail


Thermostatic Electric Shower

Shower

Temperature stability	Thermostatic +/-1°C with Tri-Therm™
Power ratings	8.5kW & 9.5kW (at 240V)
Finish	White
Adjustable max temperature	41°C or 43°C with Safe-Set™
Timed auto shutdown	5, 10, 20 or 30 mins (default 20 mins)
Start/stop type	Electronic soft press button
	Start/stop button & temperature control dial
Audible feedback	Start/stop and timer end confirmation
Visual indicators	Power-on/timer/low flow illumination
Water connection	15mm swivel inlet (up/down)
Terminal block	16mm max cable
Waste pump connection(s)	Digital (wired)
Water supply	Mains cold water
Water pressure min	Recommended 1.0 bar (BEAB Care) @ 8 l p/m
Water pressure max	10 bar (static)
Removable pipe/cable trims	Top & bottom (15mm pipework & 38mm cable trunking)
Other installation aid(s)	Wall mounting template

Diagram Key:

 Water Entry Points

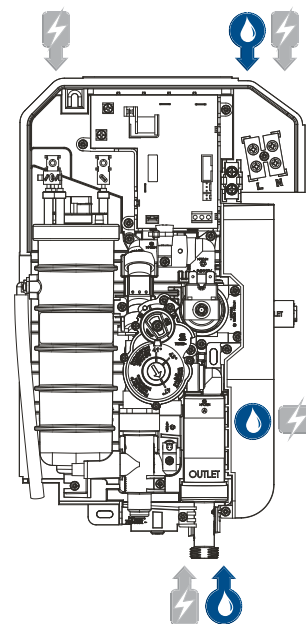
 Cable Entry Points

Dimensions:

H: 361mm

W: 245mm

D: 126mm



Riser Rail Kit

Grab version

Length	940mm
Material	Stainless Steel
Finish	Polished
Support load (max)	150kg
Fixing brackets	5 fixing points / 70mm diameter
Hose	2m Anti-twist Chrome

IMPORTANT MAINTENANCE NOTICE

Replacing specified Triton accessories for this Omnicare unit will aid optimum performance and keep the unit within the allocated guarantee period



Omnicare Design Grab Kit
GAOMDGF1



2m Anti-twist Hose - Chrome
TSHG1266



Inclusive Showerhead
(5 Spray Pattern)
TSHCAREWHT

Contact our specification team

Call: 02476 324 776 | Email: specification@tritonshowers.co.uk | Web: www.tritonshowers/specifiers

(1) Tri-Therm™ constantly regulating flow, blending water and adjusting the power to precisely control the showering temperature.
 (2) Safe-Set™ tamper proof maximum temperature setting whilst allowing full rotation of the temperature dial.
 (3) The shower will operate down to 0.5 bar at reduced flow rates.