

60CM URINAL PACKS - 2 BOWL - CONCEALED PIPEWORK



Product Code	UR60CONSET2
Weight (Kg)	42.3
Material	Vitreous china & mixed plastics and metal
Colour	White & Chrome
Flushing volume (Ltr)	4.5
Flushing mechanism	Autosyphon
Standards	BS5520, BS3402, EN13407-CL2-III-4.5B
Extras	Urinal Separator - URSEP

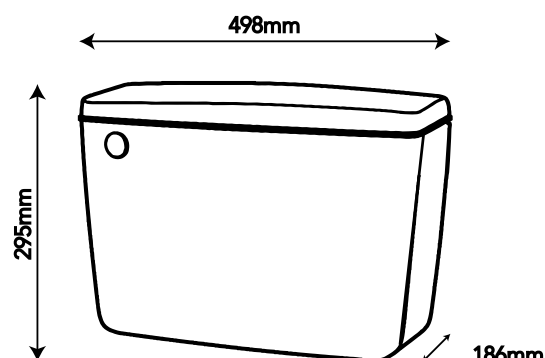
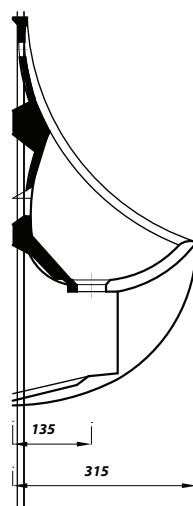
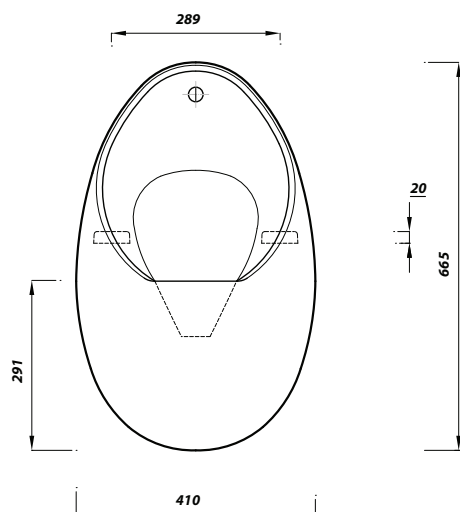
Pack Contains:

- 2 60cm urinal & Bracket (URBOW & BRACK)
- Concealed pipework (URPW2BOW)
- Back inlet spreader (URBIS)
- Plastic dome waste (URDWP)
- Concealed urinal cistern with autosyphon (URCONASYP1)
- Trap to be installed behind accessible wall

Description:

Pick up Urinal packs, a simple all in one urinal box set that includes everything you need for multiple urinal installations. CE Compliant, concealed inlet.

For fitting instructions please email customerservice@Lecico.co.uk



All dimensions are approximate and subject to normal ceramic variation. Although every effort is made not to change the above product specification, Lecico reserve the right to do so without prior notification if necessary. Lifetime ceramic guarantee against manufacturers defects. Full information on guarantees available upon request.