

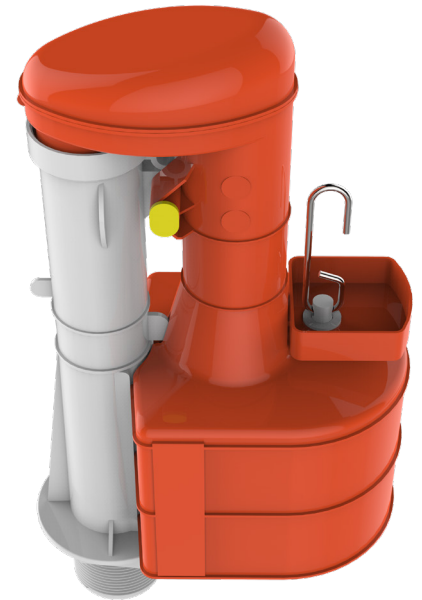


Applications

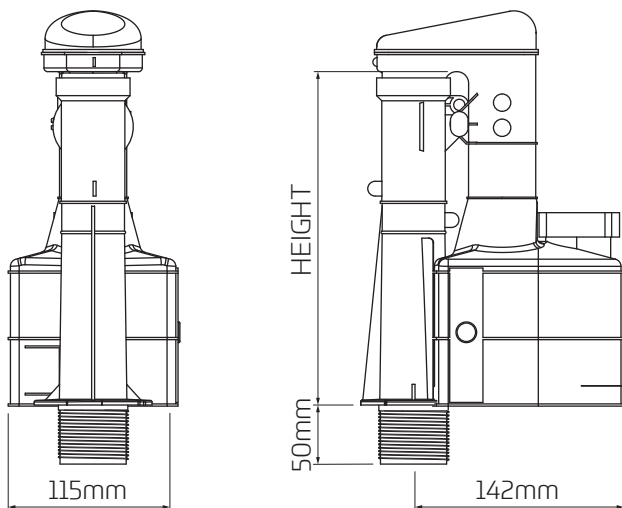
Ideal for use as a replacement in 9 litre low and high level cisterns.

Features

- ~ 9 litre flush volume
- ~ 2-part design enables quick servicing in under 5 minutes
- ~ Retrofit to an existing Turbo downleg
- ~ WRAS approved.



Dimensional Data



Scope of Supply

Height mm

203 (8")
216 (8½")
229 (9")
241 (9½")
254 (10")
267 (10½")
279 (11")
292 (11½")

Technical Data

Outlet	1½" BSP (48mm)
Flush Volume	9 Litre Monoflush
Sizes	203mm (8") to 292mm (11½") in ½" increments
Cistern Type	Low Level, High Level