



Applications

Designed for use as a replacement in most plastic and ceramic exposed and concealed cisterns

Also supplied as standard or as an optional extra in Dudley cisterns

Complies fully with water regulations:

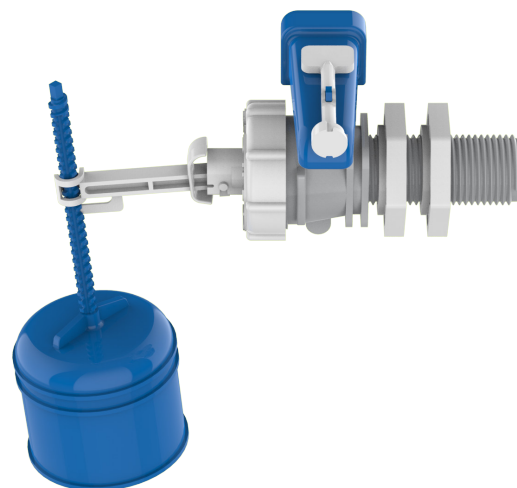
- ~ True AG Air Gap
- ~ No under water joints
- ~ No silence tube

Features

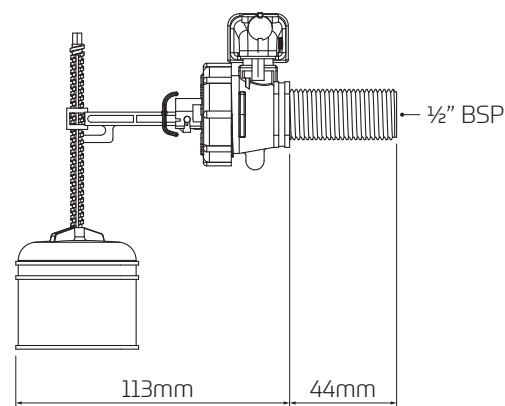
- ~ Key supplied for simple and safe removal of the filter
- ~ Unique float arm makes it impossible for the float to become detached
- ~ 3 available options of quiet fill technology...

| Valve Option | Fill Nozzle | | Flow Control | | WRAS Approved |
|----------------|-------------|----------|--------------|-----------|---------------|
| | Standard | Enhanced | Restricted | Regulated | |
| Standard | ✓ | | ✓ | | ✓ |
| Enhanced | | ✓ | ✓ | | ✓ |
| Flow Regulated | | ✓ | | ✓ | ✓ |

- ~ Enhanced option offers integrated quiet fill action
- ~ Flow Regulated option includes integrated quiet fill action together with 6 litre per minute flow control for ultimate quiet fill performance.



Dimensional Data



Technical Data

| | |
|------------|-------------------------|
| Connection | 1/2" BSP plastic tail |
| Adjustment | 65mm float height range |
| Valve Type | Diaphragm |
| Float | Standard |
| Conformity | BS 1212-4 |