

SOFT CLOSE SEAT ROUND CC PAN



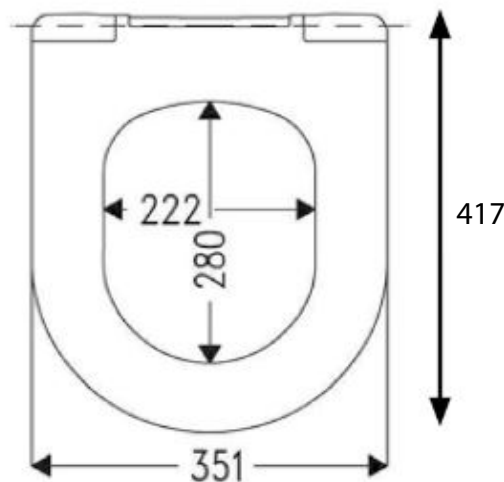
Product Code	STWHSCCST
Weight (Kg)	2.2
Material	Plastic
Soft close	Yes
Colour	White

Key features:

- 5 Year guarantee on soft close seats
- CE compliant

Description:

Made from highly durable thermo plastic, this seat is available with either a standard or soft close hinge. Its compact design is specifically designed to fit our short projection pans



All dimensions are approximate and subject to normal ceramic variation. Although every effort is made not to change the above product specification, Lecico reserve the right to do so without prior notification if necessary. *Against manufacturers defects. Full information on guarantees available upon request.