

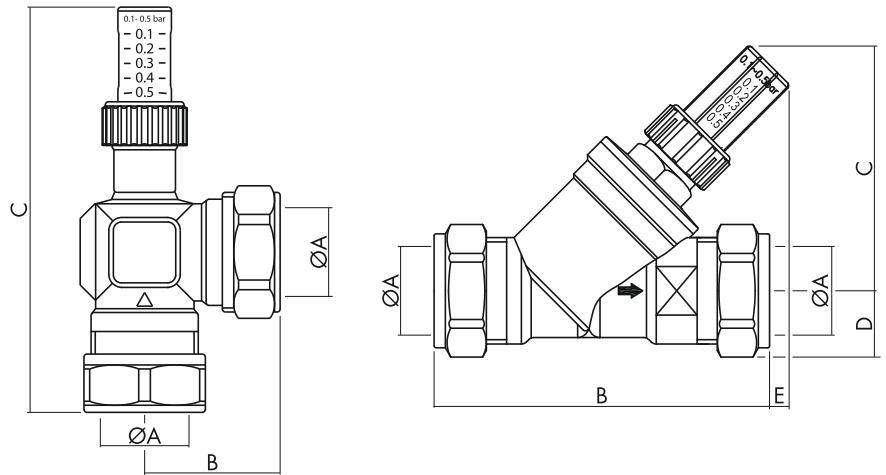


Product

- ABPA401022 - Automatic differential by-pass valve angled 22mm
- ABPA402022 - Automatic differential by-pass valve straight 22mm
- ABPA28CP - Automatic differential by-pass valve angled 28mm
- ABPS28CP - Automatic differential by-pass valve straight 28mm

Technical Specification

Min Inlet Pressure (dynamic):	10 Bar
Max Inlet Temperature:	100 °C
Flow Capacity:	1 to 5m ³ /hour
Differential Pressure Range:	0.1 to 0.5 Bar



Product Code	ØA	B	C	D	E
ABPA401022	22	36	107	-	-
APBA28CP	28	38.5	104.8	-	-
ABPS402022	22	90	66.5	16.5	5
APBS28CP	28	77	69	21.75	-

Additional Information

Automatically stabilises flow through the system

Prevents the pump from pushing against a closed head, protecting the system

Clear, easily adjustable dial

Available in 22 or 28mm in a straight or angled style

Allows the system to still circulate, even if the radiators are closed

Flow chart and Kv values

