

Product

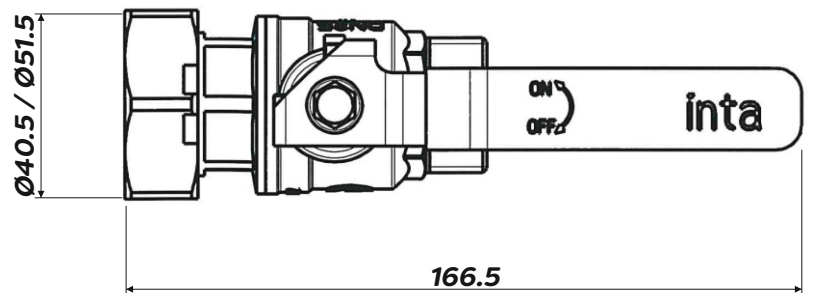
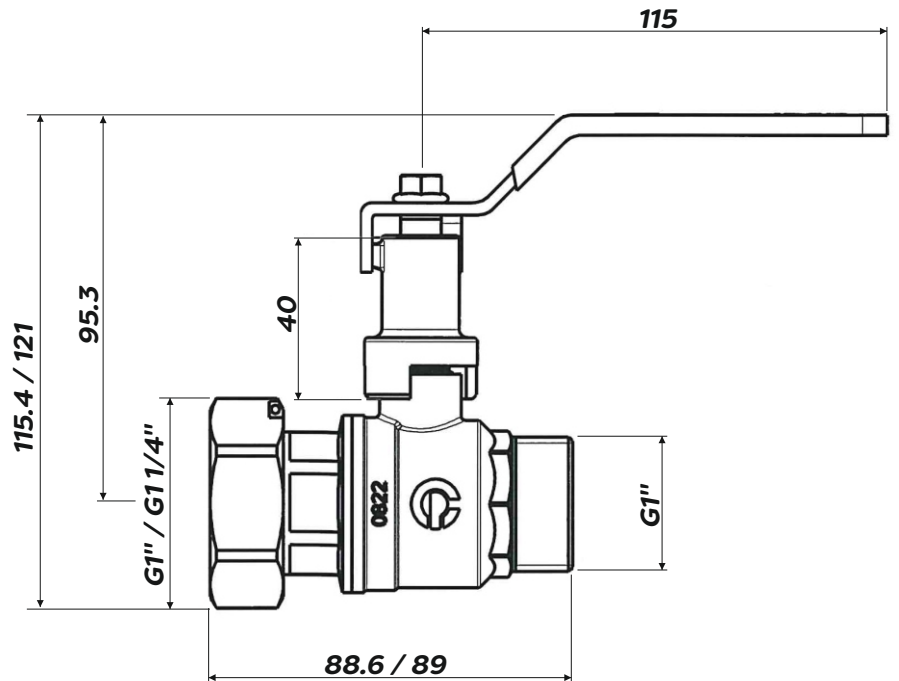
HPFLBV11 - 1" Female Swivel x 1" Male Extended Lever Ball Valve

HPFLBV114 - 1 1/4" Female Swivel x 1" Male Extended Lever Ball Valve

EXTKIT - Lever Ball Valve Extension Kit

Technical Specification

Max Inlet Pressure (static):	25 Bar
Working Temperature:	-10 to 90°C
Temperature Range:	-20 to 120°C
Thread Standard:	ISO228



Additional Information

Solid brass construction

Extended lever ball valve handle

Pressure rating of PN25

Working temperature range of -10 to 90°C

ISO228 threads