

ECONOMY COMFORT HEIGHT LOW LEVEL LEVER WC SET INCLUDING STD SEAT



Product Code	COMFLLWC
Pan Outlet	Horizontal
Weight (Kg)	34.4
Material	Vitreous China
Flushing Volume (Ltr)	6/4
Cistern Fittings Included	Yes
Pre-installed/Bagged	Bagged
Flushing Mechanism	Dual Flush Lever
Inlet	RH Bottom Inlet

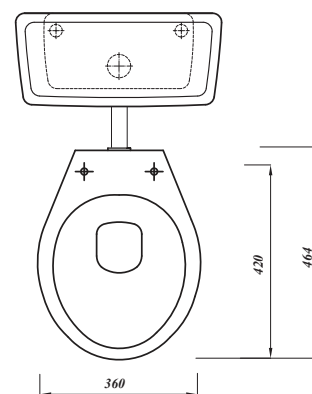
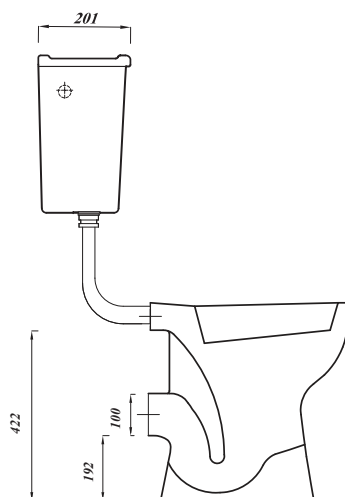
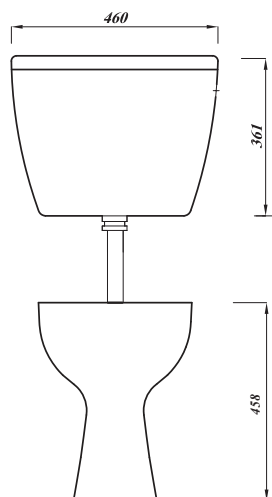
Pack Includes:
 DOCMLLPAN - ASWHLLBCI - STWHSSUNP

Key features:

- Horizontal outlet
- CE Compliant
- Easy operate single flush mechanism
- Lifetime ceramic guarantee*

Description:

This comfort height WC is designed to be fully compliant with DocM. Its raised height makes transferring to and from a wheelchair easier. Its coupled with a classic style low level cistern, perfect for commercial installations.



All dimensions are approximate and subject to normal ceramic variation. Although every effort is made not to change the above product specification, Lecico reserve the right to do so without prior notification if necessary. *Against manufacturers defects. Full information on guarantees available upon request.