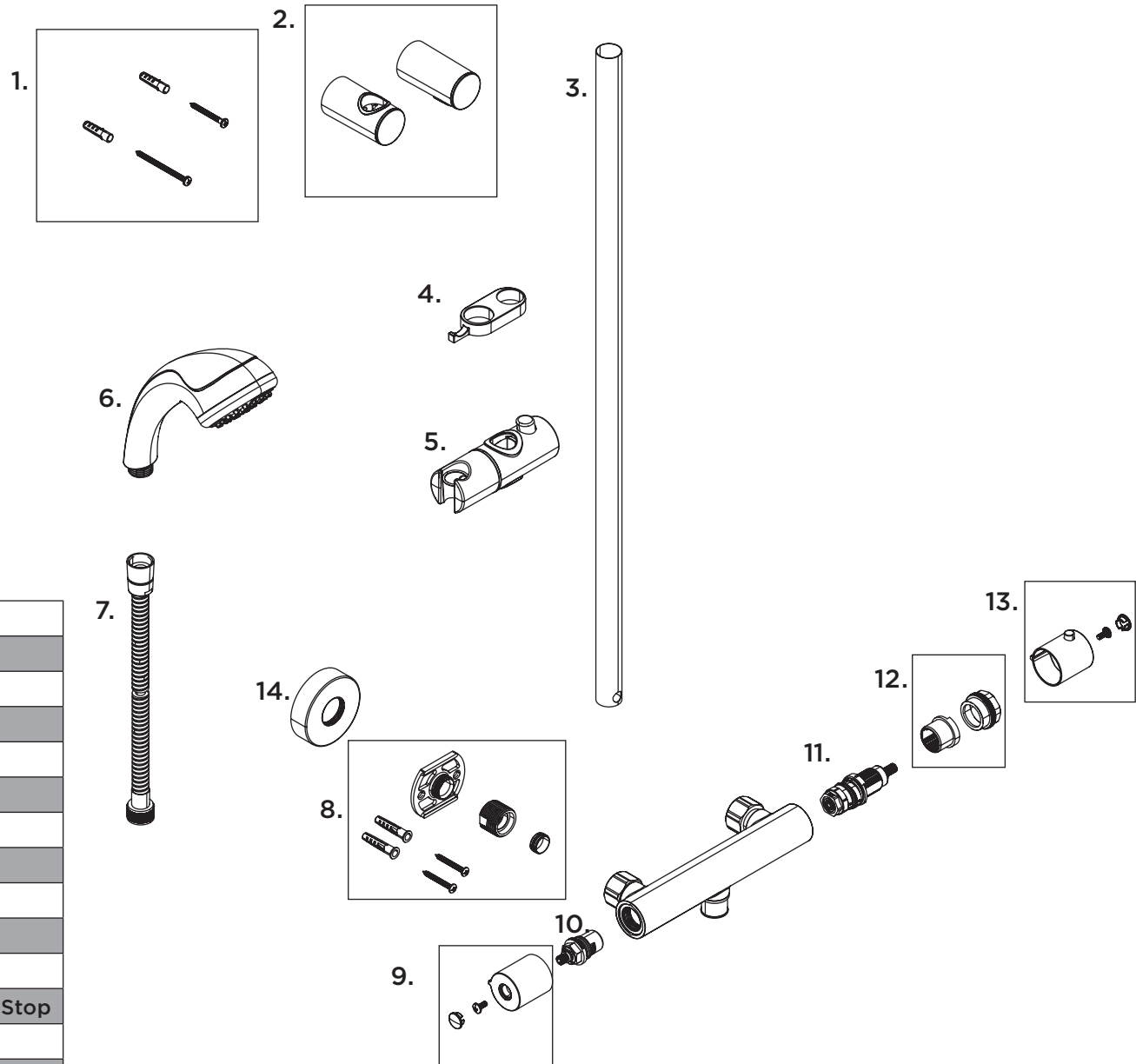


Product Code: ZI SHXSMCTFF C
Revision: D4



1	Screws & Wallplugs (Pair)
2	Wall Brackets (Pair)
3	Riser Rail
4	Hose Retainer
5	Handset Holder
6	Handset
7	Hose
8	Wall Mount Fixing Kit (Pair)
9	Flow Handle Assembly
10	Flow Valve
11	Cartridge Assembly
12	Cartridge Retaining Nut & Temperate Stop
13	Temperature Handle Assembly
14	Shrouds (Pair)