



### Applications

Our complete repair kit for button operated toilet cisterns

### Water Saving

- ~ Delay-fill compact float inlet valve
- ~ Dual flush cable operated Victoria flush valve.

### Features

- ~ Victoria flush valve with long life silicon rubber seal
- ~ Hydroflo compact brass tailed telescopic bottom inlet valve
- ~ Contains all close-coupled fittings required to fully refurbish the cistern
- ~ 3 year warranty
- ~ Easy fit & service.



### Technical Data

Inlet Valve	Hydroflo Compact Float Brass-tailed Telescopic
Outlet Valve	Victoria Cable Operated
CC Fitting Type	Through Bolts and CC Plate included
Flush Option	Dual Flush
Product Code	372686



#### Applications

Designed for use as a replacement in most plastic and ceramic exposed and concealed cisterns

Also supplied as standard or as an optional extra in Dudley cisterns

Complies fully with water regulations:

- ~ True AG Air Gap
- ~ No under water joints
- ~ No silence tube

#### Water Saving

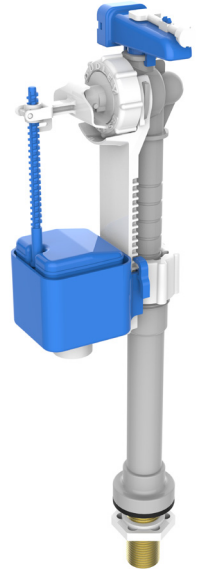
Delay fill saves water and supports BREEAM by only allowing a cistern to start refilling once flushing is complete.

#### Features

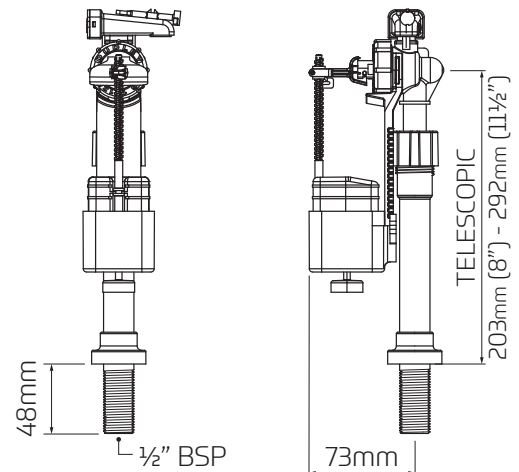
- ~ Telescopic height adjustment - 203mm (8") to 292mm (11½")
- ~ Professional ½" BSP brass tail
- ~ Compact body and float assembly
- ~ Key supplied for simple and safe removal of the filter
- ~ Unique float arm makes it impossible for the float to become detached
- ~ 3 available options of quiet fill technology...

Valve Option	Fill Nozzle		Flow Control		WRAS Approved
	Standard	Enhanced	Restricted	Regulated	
Standard	✓		✓		✓
Enhanced		✓	✓		✓

- ~ Enhanced option offers integrated quiet fill action
- ~ Flow Regulated option includes integrated quiet fill action together with 6 litre per minute flow control for ultimate quiet fill performance.



#### Dimensional Data



#### Technical Data

Connection	½" BSP brass tail
Adjustment	65mm float height range
Valve Type	Diaphragm
Float	Compact (Delay-fill)
Conformity	BS 1212-4



### Applications

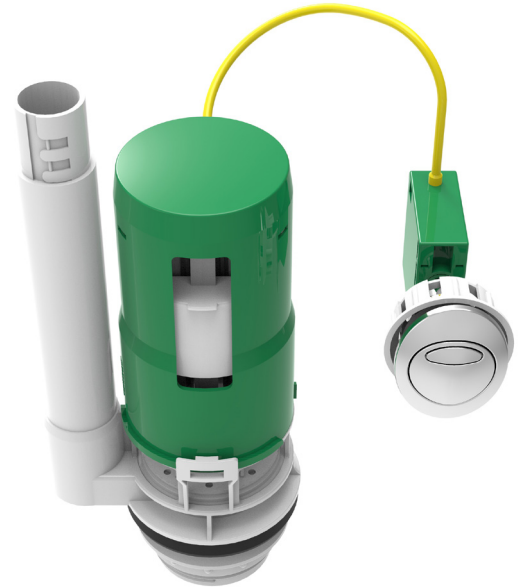
Ideal for use as a replacement in concealed cable operated cisterns typically mounted behind panelling or within furniture units. Also compatible with exposed and close coupled cisterns.

### Water Saving

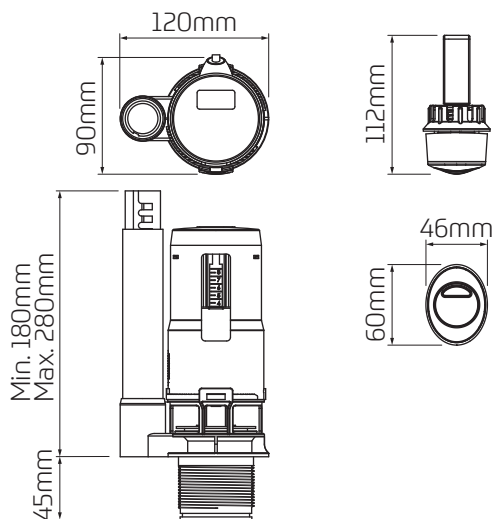
~ 6/4 litre dual flush.

### Features

- ~ Suitable for 48mm (1½" BSP) and 60mm (2" BSP) outlets utilising supplied 2" adaptor
- ~ Chrome plated dual flush push button - Can replace a traditional flush lever in some furniture and close coupled installations.
- ~ Bayonet fitting enables valve body to be quickly and easily removed from the cistern
- ~ Easy adjustment
- ~ WRAS approved.



### Dimensional Data



### Technical Data

Outlet	1½" BSP (48mm), 2" BSP (60mm)
Flush Volume	6/4 Litre Dual Flush
Cable Length	300mm (470mm Cable option available)
Cistern Type	Low Level Exposed, Close Coupled, Concealed (Cable operated)



### Applications

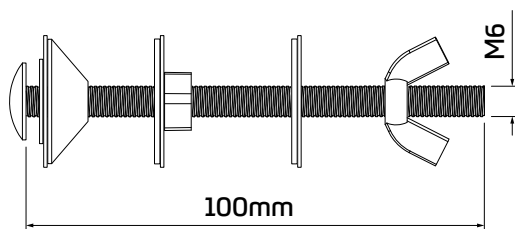
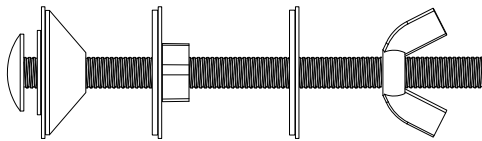
New or replacement coupling kit for through-bolt fixed close-coupled toilet suites.

### Features

- ~ Supplied with nuts, bolts & washers
- ~ M6 x 100mm cross head bolts
- ~ Rubber & fibre washers included to protect ceramics and ensure a water tight connection
- ~ Wing-nuts included for quick & easy installation.



### Dimensional Data



### Technical Data

Material	Steel
Finish	BZP
Bolt Size	M6 x 100mm
Washer Type	BZP Steel, Rubber Cone, Rubber, Fibre
Product Code	363768



### Applications

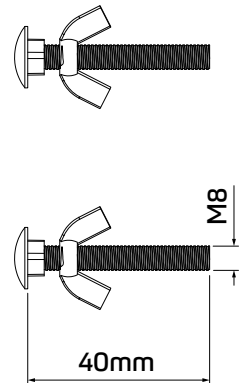
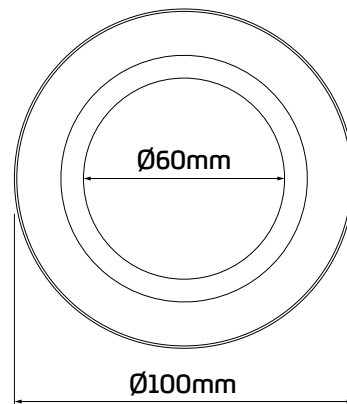
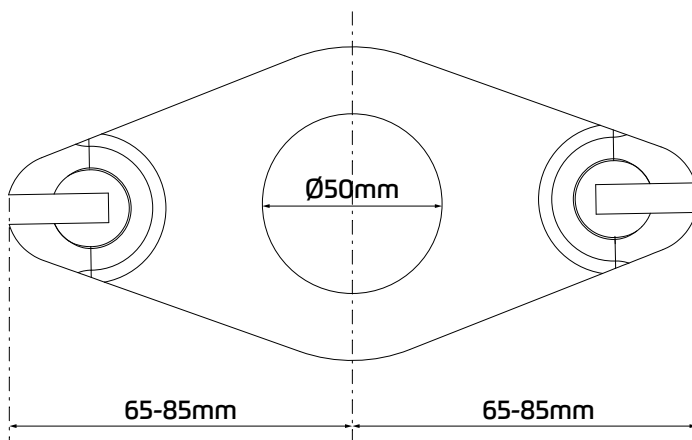
New or replacement coupling kit for plate fixed close-coupled toilet suites.

### Features

- ~ Supplied with nuts, bolts & washers
- ~ M8 x 40mm bolts
- ~ 2" doughnut washer included
- ~ Wing-nuts included for quick & easy installation.



### Dimensional Data



### Technical Data

Outlet Size	2" BSP
Material	Steel
Finish	BZP
Bolt Size	M6 x 40mm
Plate Type	Ridged
Washer Type	2" Doughnut
Product Code	363765