

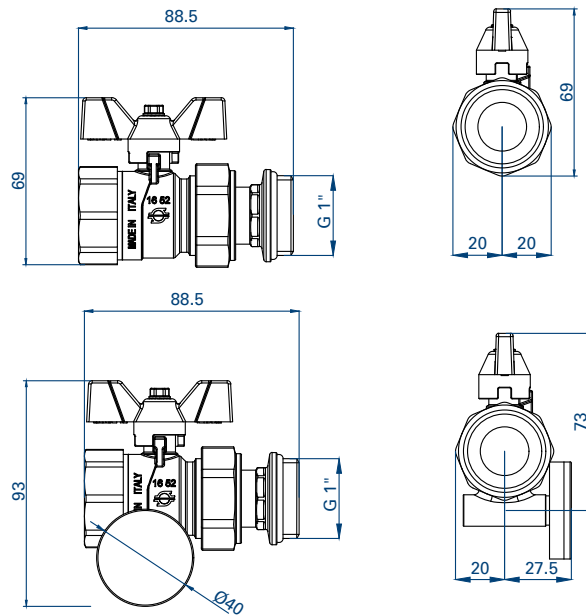
1" Female – Male Union Progress Ball Valves



Product Features

A set of straight progress ball valves for use with Topway Plus Stainless-Steel Manifolds, FMU3 Mixing units and TM3-R control group. Available in 1" Female BSP x 1" Male BSP connections with O-ring seal and loose nut union, with or without thermometer pocket and 0° – 80° thermometer.

Description	Code
Straight Progress valve kit with connections	01306708
Straight Progress valve kit with thermometer holder and thermometer	01306710



Specification

Body:	Brass EN 12165 CW617N
O-Rings:	EPDM
Butterfly Handle:	Aluminium Alloy EN 1706
Washer:	NBR
Maximum operating pressure:	40 bar
Operating temperature:	-20°C to 120°C
Thread	ISO 228/1 – Reduced Passage
Flow direction:	Right or Left

