



# Buyer's Guide 2021

Engineered Water Solutions

comfort delivered by **EMMETI**

## Europe's leader in sustainable indoor climate comfort solutions

We manufacture and distribute globally from over **20** locations to customers in **50+** countries.

Comfort delivered is our promise to all our stakeholders. It is all about our dedication and our ability to deliver. About listening and responding to the needs of our personnel, our customers and end-users.

Purmo Group delivers comfort by doing things smarter, by always moving forward and by staying ahead of the competition.

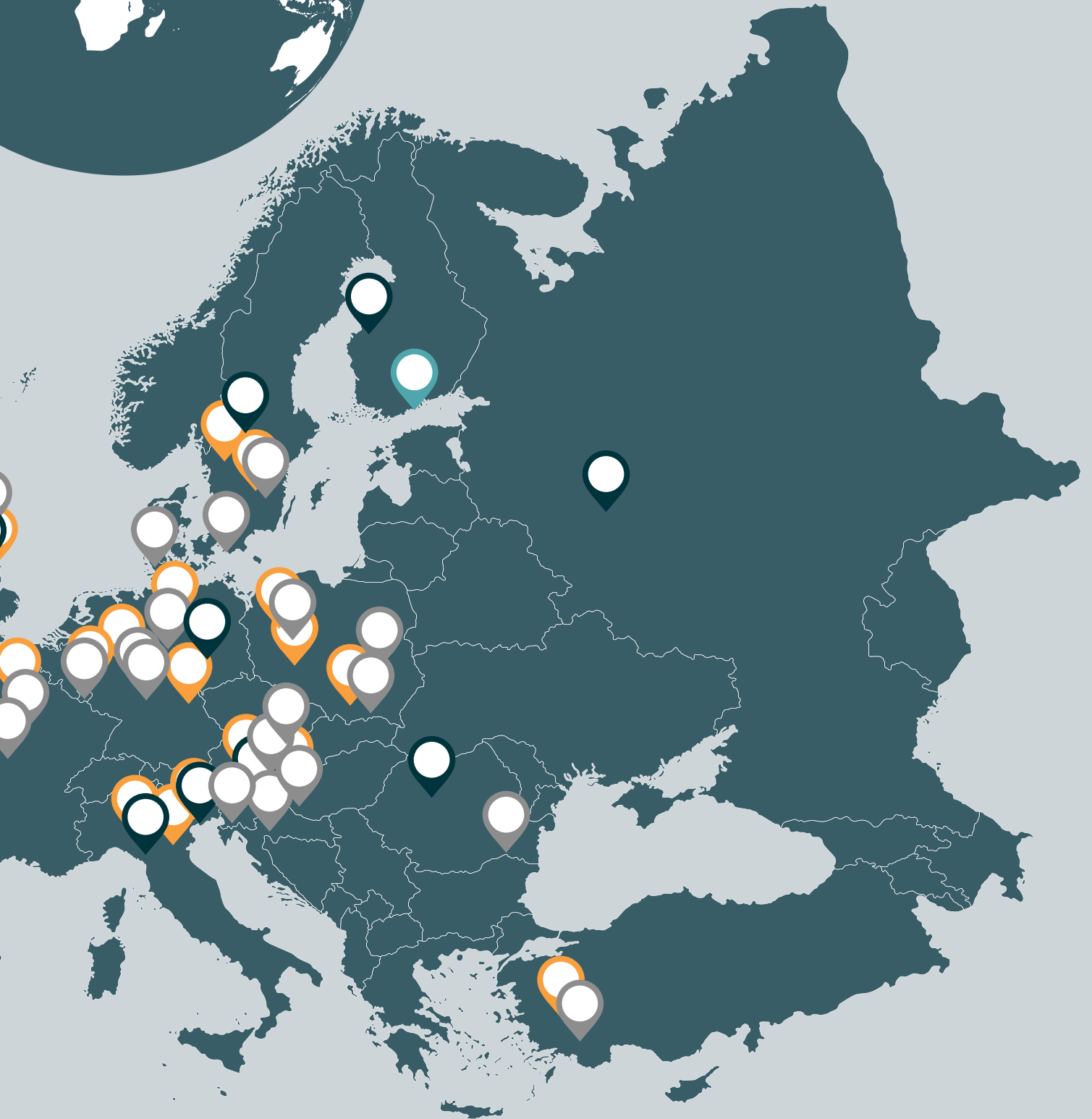
We deliver comfort by:

- Enabling our people to flourish, ensuring their safety at all times
- Designing inspiring products that are accessible to the many
- Always placing our customers at the centre
- Keeping an eye on the future to ensure the sustainability of our business

### We are Purmo Group - Comfort delivered

-  Head office
-  Factory
-  Sales office & warehouse
-  Sales office





Our promise

# Comfort delivered

The indoors. The place where we spend so much time – learning, sleeping, relaxing, sharing. It's where we live. That's why a healthy and comfortable indoor climate is so important. But in a world facing climate challenges, unprecedented population growth and a need to use resources better, ensuring sustainability is paramount.

Committed to innovation, we take a system and solution approach to delivering optimal heating offers the highest levels of comfort and energy efficiency. With our complete range and expert knowledge, we can help you find exactly the right solution. So, let's work together and create innovative solutions that will meet tomorrow's indoor climate challenges today. Let's advance indoor climates as we know them.

**Let's create the great indoors.**

# Comfort





**delivered by ...**



# Our trade brand house

Our commercial brand house is an overview of our vision and customer promise. The four brand pillars demonstrate how we plan to achieve this and define the change we want to drive.



Improve efficiency

**Optimising energy efficiency** through system accuracy



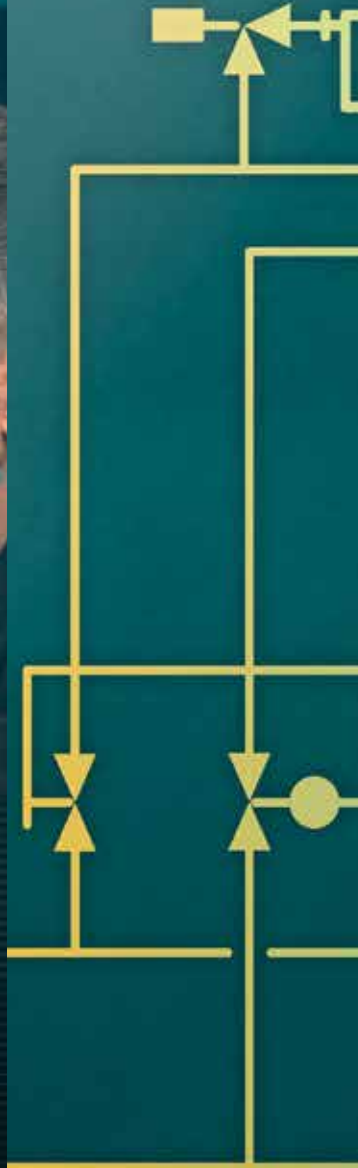
Better integration

Let's **integrate solutions** in innovative systems for better performance



Work smarter

Let's work together and **work smarter**



Reduce footprint

Let's focus on the full product life cycle and **reduce impact on our climate**







# Vanguard "Made in Italy"

The entire production of EMMETI Group takes place in Italy, on a total area of 54,000 square metres.

Plants in Brescia, an area of about 10,000 square meters, are made all the semi-finished products in brass and the hydraulic line, with the use of equipment and numerical control machines of the latest generation.

By factories located in the province of Pordenone, instead leaving all the products of the line heating.

In particular it is here that are installed production lines of the multilayer pipe, in a factory of 10,000 square meters, dedicated and newly built.

The cycle ends in storage warehouses, where it is taken care of even the phase of the logistics group







# Strengthening our actions through **digitalisation**

Our digital transformation will help us adapt and remain competitive in a digitalised world.

We need to make sure we have the right digital tools, processes and systems and to use them to the full. We also need to examine our internal systems (CRM, PIM, ERP, MS 365 and others) and use them optimally.

External digitalisation must be incorporated to ensure the optimisation of marketing activities, our interaction and relationships with our customers, with the help of digital tools.

Thanks to these options, we will have new ways of interacting with our customers, which will allow us to meet their needs whenever they want.

To support the transition, we have invested in Product Information Management (PIM) to optimise product management.

We will also introduce a new Digital Experience Platform (DXP) to ensure better customer experience.



# Emmeti enters the world of **BIM!**

EMMETI, sensitive to the needs of thermotechnical studies and to the evolution of design methodologies, constantly develops BIM objects for its products and systems.

By using BIM "Building Information Modelling", the designer can avail him/herself of a series of advantages for his/her own professional development, such as:

- designing an integrated building-plant system in 3D in an accurate, fast and flexible manner;
- using elements that are accurately shaped like the real product;
- being able to offer the best system solutions in relation to architectural needs;
- predicting and preventing possible installation issues during the design phase (difficulty in installing electrical and plumbing systems, crossing walls and floors, etc.);
- creating a design accompanied by a significant amount of data, which will allow for specifications, metric calculations, etc. to be drawn up quickly;
- having available all the technical information required to plan an effective and efficient maintenance schedule.

# Emmeti home

## Solutions for indoor climate comfort



**GERPEX**  
System Solutions



**UNDERFLOOR**  
Heating Solutions



**CONTROLS**  
Solutions



**CONTROLS**  
Components  
& Accessories

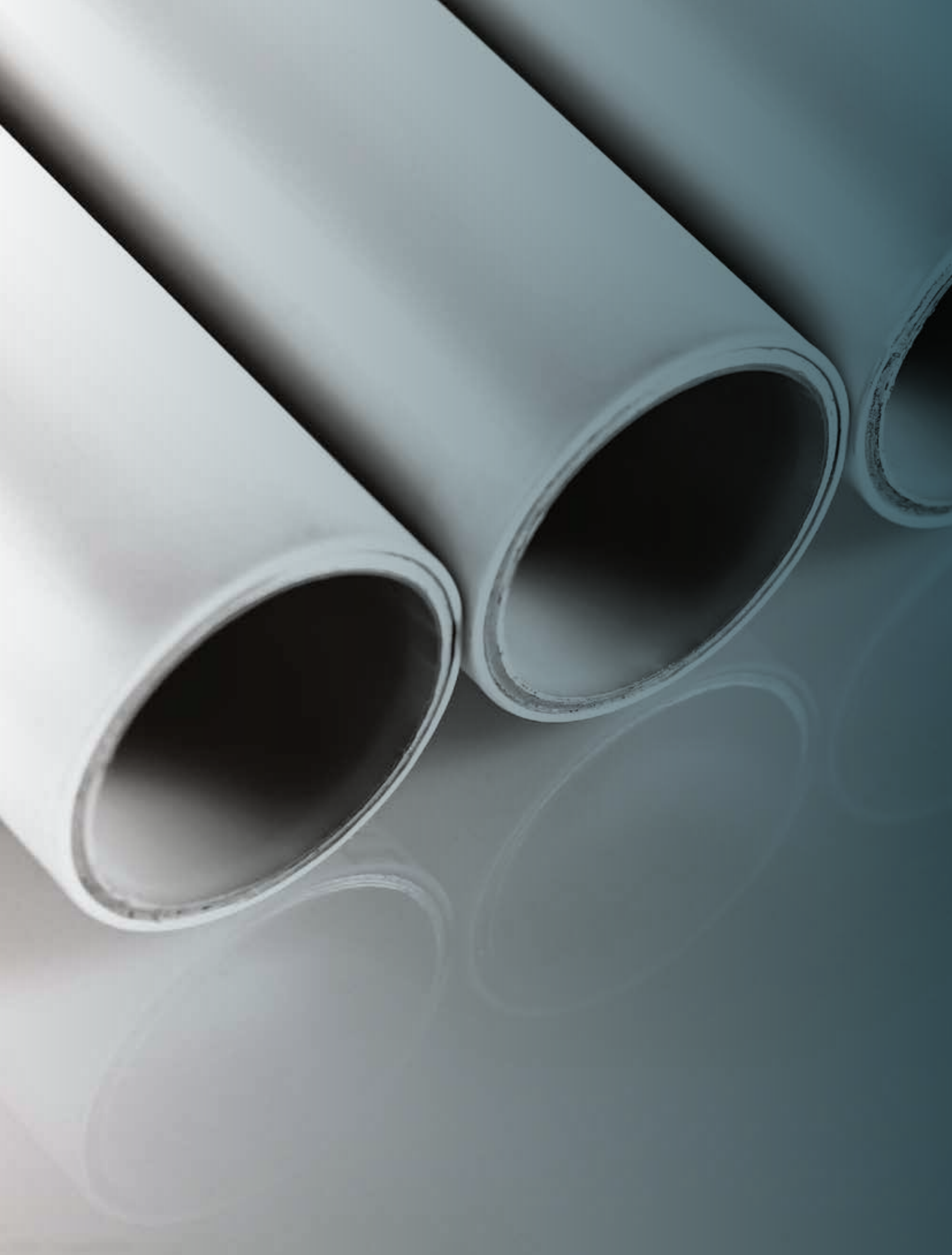




# Contents

<b>Gerpex System Solutions</b>		<b>15</b>	
<b>Pipe and Fittings</b>	<b>18</b>	<b>Plumbing Manifold Systems</b>	<b>40</b>
Gerpex Multilayer Composite Pipe (MLCP)	18	Manifolds	40
Gerpex Fittings	20	<b>Manifold Accessories</b>	<b>43</b>
Gerpex Tooling	28	Manifold Ball Valves	43
Gerpex Accessories	31	Monoblocco Pipe Connectors	44
<b>Radiator Manifold Systems</b>	<b>32</b>	Manifold Cabinets	45
Manifolds	32	Adapters and Fittings	46
Pipe	35	Manifold Brackets	48
Radiators and Valves	36	Manifold Tooling	49
<b>Underfloor Heating Solutions</b>		<b>51</b>	
<b>Manifolds</b>	<b>56</b>	<b>Fixing Systems</b>	<b>60</b>
UFH Manifolds	56	Underfloor Heating Fixings	60
UFH Mixer Control Groups	57	<b>Spares and Accessories</b>	<b>63</b>
<b>Underfloor Heating Pipe</b>	<b>58</b>	Manifold Spares and Accessories	63
Pipe and Accessories	58		
<b>Controls Solutions</b>		<b>69</b>	
<b>Zone Controls - Hard-wired</b>	<b>70</b>	<b>Manifold Actuators</b>	<b>76</b>
Wiring Centres	70	Manifold Actuators	76
Thermostats	71	<b>Motorised Ball Valves</b>	<b>77</b>
<b>Zone Controls - Wireless</b>	<b>74</b>	Motorised Ball Valves	77
Wiring Centres	74		
Thermostats	75		
<b>System Components and Accessories</b>		<b>81</b>	
<b>Components and Accesories</b>	<b>82</b>	General Ball Valves	88
Sealed System Components (Heating)	82	Threaded Fittings	91
Expansion Vessels for Potable Water Applications	84	System Accessories	93
Low Loss Headers	86		
<b>Technical Diagrams and General Information</b>		<b>97</b>	
<b>Technical Diagrams</b>	<b>98</b>	<b>General Information</b>	<b>108</b>
Manifold Assembly	98	<b>How to Order</b>	<b>109</b>
Hard Wired Wiring Centres	106	<b>Terms and Conditions</b>	<b>111</b>

For more information visit [www.emmeti.co.uk](http://www.emmeti.co.uk) or for prices call **01993 824900**





# GERPEX

## System Solutions



Gerpex is a full system solution approach, designed using MLCP and press fittings to act as a link between main heating and cooling points for optimum end-user comfort with the use of HIU's, manifolds, radiators, underfloor heating and zone controls.

The EMMETI approach is to advise, support and supply the right systems for the right application.

# GERPEX

## System Solutions

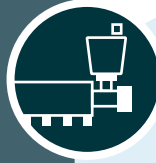
At EMMETI we offer an extensive range of high quality manifolds, controls, thermostats, pipes, and accessories required to form a full system solution.



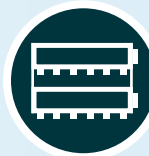
Gerpex Press  
Fittings Page 20



Controls  
Solutions Page 69



Radiator  
Manifold Systems Page 32



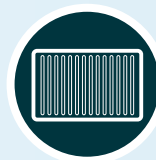
Plumbing  
Manifold Systems Page 40



Gerpex  
MLC Pipe Page 18



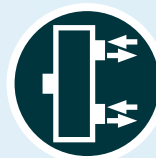
Underfloor Heating  
Manifold Systems Page 56



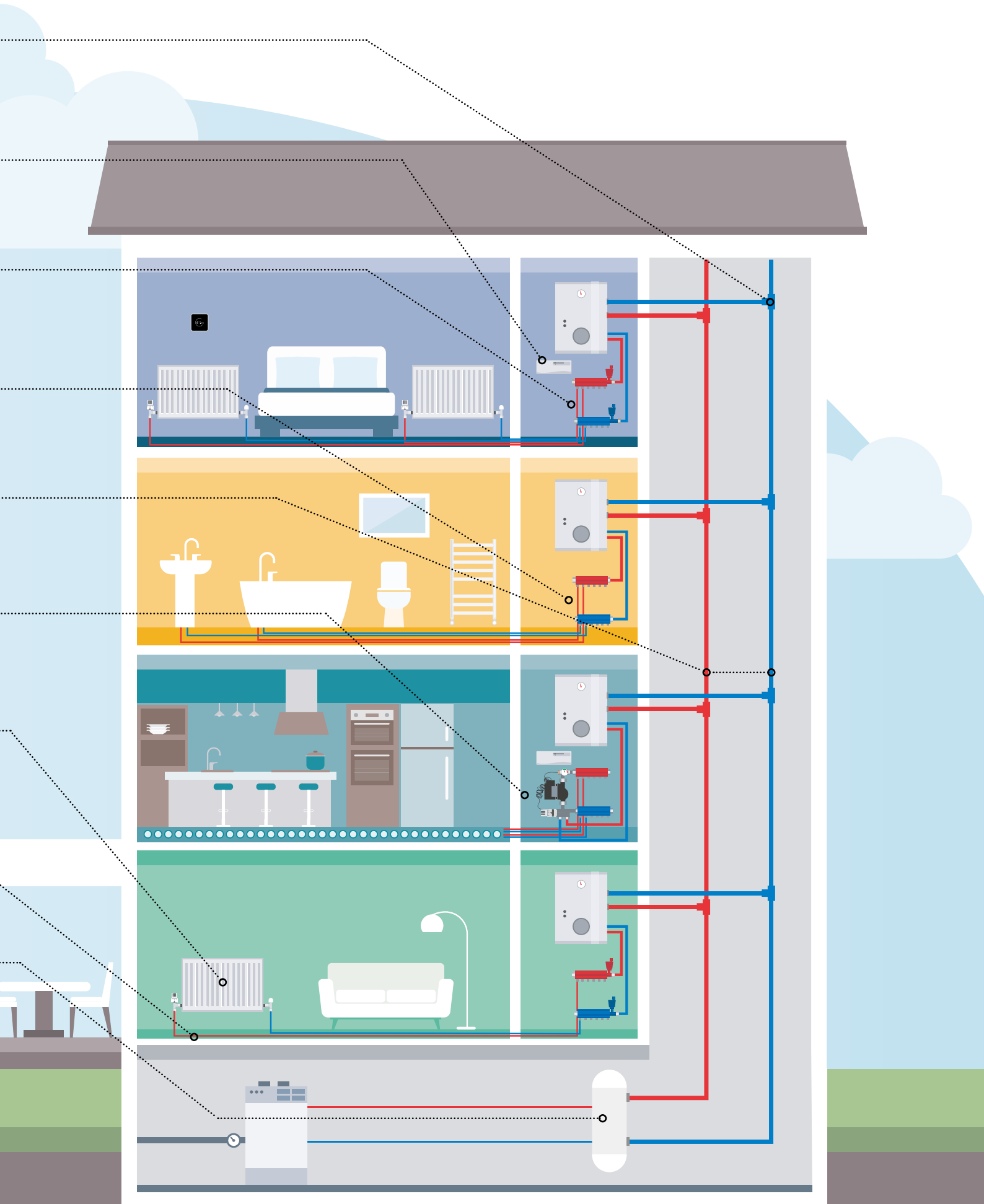
Radiators/  
TRV'S Page 36



Pre-insulated Gerpex  
MLC Pipe Page 18



Low Loss  
Headers Page 86



# GERPEX

## Pipe and Fittings



Gerpex pipe and fittings are suitable for use in both domestic and commercial applications and are WRAS approved for use in hot and cold water supplies.

The Gerpex Multilayer Composite five layer Pipe (MLCP) is available in 16mm - 75mm outer diameter. The pipe comprises an inner layer of cross linked PE-Xb and an outer layer of PE-Xb upto and including 32mm whilst our PE-HD outer layer is used for pipe sizes 40mm - 75mm. All MLCP comes with an internal butt welded aluminium layer providing a solid oxygen barrier as well as giving rigidity and form retention to the pipe.

The Gerpex pipe fittings have been developed to be used with the Gerpex MLCP as a clean, simple and more efficient alternative to traditional jointing methods. The brass bodied press fittings with double O-ring technology are compatible with TH, B and F profiles. (See Pressing Profile Compatibility Chart on page 15). We also offer a range of Monoblocco fittings which have been developed to allow the Gerpex MLCP to be connected to our manifold systems and standard copper compression fittings in a range of sizes.

### Gerpex Multilayer Composite Pipe (MLCP)

#### Gerpex MLCP (PE-X/AL/PE-X)

WRAS Approved



Description	Coil	Code
16 x 2	100 m	28106000
16 x 2	200 m	28106010
16 x 2	500 m	28106050
20 x 2	100 m	28106004
20 x 2	200 m	28106002
26 x 3	50 m	28106006
32 x 3	50 m	28106008

Description	4 m Bar	Code
16 x 2	96 m*	28108010
20 x 2	96 m*	28108014
26 x 3	40 m*	28108016
32 x 3	28 m*	28108018
75 x 5	12 m*	28100070

Maximum operating pressure 10 bar, maximum operating temperature 95 °C.

**\*Packs of 4m bar lengths, subject to transport surcharge, see carriage and delivery terms on page 110.**

#### Gerpex MLCP (PE-Xb/AL/PE-Xb)

WRAS Approved



Description	4 m Bar	Code
40 x 3.5	20 m*	28100096
50 x 4	20 m*	28100098
63 x 4.5	12 m*	28100100

Maximum operating pressure 10 bar, maximum operating temperature 95 °C.

**\*Packs of 4m bar lengths, subject to transport surcharge, see carriage and delivery terms on page 110.**

## Gerpex Multilayer Composite Pipe (MLCP) (continued)

### Gerpex Insulated MLCP (PE-Xb-AL-PE-Xb)

WRAS Approved



Description	Insul. Thick	Coil	Code
16 x 2	6 mm	50 m	28106108
16 x 2	6 mm	100 m	28106100
20 x 2	6 mm	50 m	28106104
20 x 2	9 mm	50 m	28106106
26 x 3	9 mm	50 m	28102880
32 x 3	9 mm	25 m	28102872

Maximum operating pressure 10 bar, maximum operating temperature 95 °C.

### Gerpex Insulated MLCP

WRAS Approved



Description	Colour/Insul. Thick	Coil	Code
16 x 2	Red / 6 mm	100 m	28106140
16 x 2	Blue / 6 mm	100 m	28106142
20 x 2	Red / 6 mm	50 m	28106144
20 x 2	Blue / 6 mm	50 m	28106146
16 x 2	Blue / 10 mm	50 m	28102540
20 x 2	Blue / 13 mm	50 m	28102542
26 x 3	Blue / 13 mm	25 m	28102870
32 x 3	Blue / 13 mm	25 m	28102874

Maximum operating pressure 10 bar, maximum operating temperature 95 °C.

### Gerpex MLCP in Corrugated Conduit

WRAS Approved



Description	Colour	Coil	Code
16 x 2	Red	50 m	28102350
16 x 2	Blue	50 m	28102360

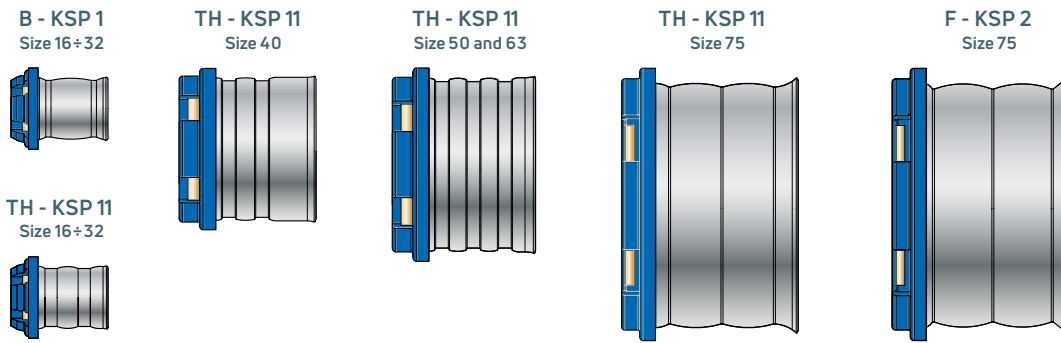
Maximum operating pressure 10 bar, maximum operating temperature 95 °C.



## Gerpex Fittings

### Pressing Profile Compatibility Options

Profile and dimensions of the jaws that can be used with Multi-jaw Gerpex Fittings.



		SIZE							
		16	20	26	32	40	50	63	75
PROFILES	B	○	○	○	○				
	TH	○	○	○	○	○	○	○	○
	F								○

### Adaptor Female Union 16 mm - 63 mm

WRAS Approved



Description	Profile	Pcs/Pack	Code
16 mm x 1/2"	TH	10	28102600
16 mm x 3/4"	TH	10	28102598
20 mm x 1/2"	TH	10	28102608
20 mm x 3/4"	TH	10	28102606
26 mm x 3/4"	TH	5	28102612
26 mm x 1"	TH	5	28102610
32 mm x 1"	TH	5	28102614
32 mm x 1 1/4"	TH	1	28102620
40 mm x 1 1/2"	TH	1	28102622
50 mm x 2"	TH	1	28102624
63 mm x 2 1/2"	TH	1	28102626

For all other profiles please refer to the Pressing Profile Compatibility Chart on page 20.

### Adaptor Female Union Elbow BSP 16 mm - 20 mm

WRAS Approved



Description	Profile	Pcs/Pack	Code
16 mm x 1/2"	TH	1	28102630
20 mm x 3/4"	TH	1	28102632

For all other profiles please refer to the Pressing Profile Compatibility Chart on page 20.

### Backplate Through Piece

WRAS Approved



Description	Profile	Pcs/Pack	Code
16 mm x 1/2"	TH	5	28101688
20 mm x 1/2"	TH	5	28101690

For all other profiles please refer to the Pressing Profile Compatibility Chart on page 20.

### Connector - MLCP to Copper

WRAS Approved



Description	Pcs/Pack	Code
16 x 2 - 15 mm	1	28110230
20 x 2 - 22 mm	1	28110232
26 x 3 - 28 mm	1	6109R026

A Monoblocco fitting developed to allow MLCP to be connected to standard copper compression fittings. For example, 16 mm MLCP can be connected to a 15 mm lever valve by using code 28110230.

### Coupler Reducing 20 mm - 75 mm

WRAS Approved



Description	Profile	Pcs/Pack	Code
20 mm x 16 mm	TH	10	28101930
26 mm x 16 mm**	TH	5	28101434
26 mm x 16 mm	TH	5	28101934
26 mm x 20 mm	TH	5	28101936
32 mm x 16 mm**	TH	5	28101512
32 mm x 16 mm	TH	5	28101912
32 mm x 20 mm**	TH	5	28101514
32 mm x 20 mm	TH	5	28101914
32 mm x 26 mm	TH	5	28101916
40 mm x 26 mm	TH	1	28115500
40 mm x 32 mm	TH	1	28115100
50 mm x 32 mm	TH	1	28115502
50 mm x 40 mm	TH	1	28115110
63 mm x 40 mm	TH	1	28115120
63 mm x 50 mm	TH	1	28115130
75 mm x 40 mm	TH	1	28115556
75 mm x 50 mm	TH	1	28115558
75 mm x 63 mm	TH	1	28115560

For all other profiles please refer to the Pressing Profile Compatibility Chart on page 20.

\*\*Available while stocks last.

### Coupler Straight 16 mm - 75 mm

WRAS Approved



Description	Profile	Pcs/Pack	Code
16 mm x 16 mm	TH	10	28101922
20 mm x 20 mm	TH	10	28101926
26 mm x 26 mm	TH	5	28101928
32 mm x 32 mm	TH	5	28101910
40 mm x 40 mm	TH	1	28115050
50 mm x 50 mm	TH	1	28115060
63 mm x 63 mm	TH	1	28115070
75 mm x 75 mm	TH	1	28115554

For all other profiles please refer to the Pressing Profile Compatibility Chart on page 20.

### Elbow Chromed 16 mm x 15 mm

WRAS Approved



Description	Profile	Pcs/Pack	Code
16 mm x 15 mm - L165.5 mm	TH	10	28101708

For all other profiles please refer to the Pressing Profile Compatibility Chart on page 20.

### Elbow Equal 16 mm - 75 mm

WRAS Approved



Description	Profile	Pcs/Pack	Code
16 mm x 16 mm	TH	10	28101952
20 mm x 20 mm	TH	10	28101956
26 mm x 26 mm	TH	5	28101958
32 mm x 32 mm	TH	5	28101980
40 mm x 40 mm	TH	1	28115200
50 mm x 50 mm	TH	1	28115210
63 mm x 63 mm	TH	1	28115220
75 mm x 75 mm	TH	1	28115540

For all other profiles please refer to the Pressing Profile Compatibility Chart on page 20.

### Elbow Equal 40 mm - 75 mm 45°

WRAS Approved



Description	Profile	Pcs/Pack	Code
40 mm x 40 mm	TH	10	28101720
50 mm x 50 mm	TH	6	28101722
63 mm x 63 mm	TH	4	28101724
75 mm x 75 mm	TH	1	28115542

For all other profiles please refer to the Pressing Profile Compatibility Chart on page 20.

### Elbow Female 16 mm - 32 mm

WRAS Approved



Description	Profile	Pcs/Pack	Code
16 mm x 1/2"	TH	10	28101330
20 mm x 1/2"	TH	10	28101334
20 mm x 3/4"	TH	10	28101335
26 mm x 3/4"	TH	5	28101336
32 mm x 1"	TH	5	28101484

For all other profiles please refer to the Pressing Profile Compatibility Chart on page 20.

### Elbow Male 16 mm - 63 mm

WRAS Approved



Description	Profile	Pcs/Pack	Code
16 mm x 1/2"	TH	10	28101342
20 mm x 1/2"	TH	10	28101346
20 mm x 3/4"	TH	10	28101347
26 mm x 3/4"	TH	5	28101348
32 mm x 1"	TH	5	28101482
40 mm x 1 1/4"	TH	1	28115150
50 mm x 1 1/2"	TH	1	28115160
63 mm x 2"	TH	1	28115170

For all other profiles please refer to the Pressing Profile Compatibility Chart on page 20.

## Gerpex Fittings (continued)

### Elbow Left Hand Terminal with Backplate 16 mm - 20 mm

WRAS Approved



Description	Profile	Pcs/Pack	Code
16 mm x 1/2"	TH	5	28101630
20 mm x 1/2"	TH	5	28101638

For all other profiles please refer to the Pressing Profile Compatibility Chart on page 20.

### Elbow Right Hand Terminal with Backplate 16 mm - 20 mm

WRAS Approved



Description	Profile	Pcs/Pack	Code
16 mm x 1/2"	TH	5	28101632
20 mm x 1/2"	TH	5	28101640

For all other profiles please refer to the Pressing Profile Compatibility Chart on page 20.

### Elbow Wall Mounted Female 16 mm - 26 mm

WRAS Approved



Description	Height	Profile	Pcs/Pack	Code
16 mm x 1/2"	48 mm	TH	10	28101300
16 mm x 1/2"	68 mm	TH	10	28116202
20 mm x 1/2"	48 mm	TH	10	28101304
20 mm x 1/2"	68 mm	TH	10	28116206
20 mm x 3/4"	56 mm	TH	10	28101696
26 mm x 3/4"	56 mm	TH	10	28101698

For all other profiles please refer to the Pressing Profile Compatibility Chart on page 20.

### Monoblocco 16 mm - 20 mm

WRAS Approved



Description	Profile	Pcs/Pack	Code
16 mm - 24 x 19	TH	10	28101650
20 mm - 24 x 19	TH	10	28101654

For all other profiles please refer to the Pressing Profile Compatibility Chart on page 20.

### Pipe Chrome Copper 15 mm x 1/2"

WRAS Approved



Description	Profile	Pcs/Pack	Code
15 mm x 1/2" Male L175 mm	TH	5	28101686

For all other profiles please refer to the Pressing Profile Compatibility Chart on page 20.

**Gerpex Fittings** (continued)

**Straight Female BSP 16 mm - 32 mm**

WRAS Approved



Description	Profile	Pcs/Pack	Code
16 mm x 1/2"	TH	10	28101454
20 mm x 1/2"	TH	10	28101459
20 mm x 3/4"	TH	10	28101460
26 mm x 3/4"	TH	5	28101462
26 mm x 1"	TH	5	28101464
32 mm x 1"	TH	5	28101522

For all other profiles please refer to the Pressing Profile Compatibility Chart on page 20.

**Straight Male BSP 16 mm - 75 mm**

WRAS Approved



Description	Profile	Pcs/Pack	Code
16 mm x 1/2"	TH	10	28101440
20 mm x 1/2"	TH	10	28101445
20 mm x 3/4"	TH	10	28101446
26 mm x 3/4"	TH	5	28101448
26 mm x 1"	TH	5	28101450
32 mm x 1"	TH	5	28101520
32 mm x 1 1/4"	TH	5	28115510
40 mm x 1"	TH	1	28115512
40 mm x 1 1/4"	TH	1	28115000
50 mm x 1 1/2"	TH	1	28115010
63 mm x 2"	TH	1	28115020
75 mm x 2 1/2"	TH	1	28115552

For all other profiles please refer to the Pressing Profile Compatibility Chart on page 20.

**Tee Branch Female BSP 16 mm - 75 mm**

WRAS Approved



Description (1 x 2 x 3)	Profile	Pcs/Pack	Code
16 mm x 16 mm x 1/2"	TH	5	28101400
16 mm x 16 mm x 3/4"	TH	5	28101401
20 mm x 20 mm x 1/2"	TH	5	28101404
20 mm x 20 mm x 3/4"	TH	5	28101405
26 mm x 26 mm x 1/2"	TH	5	28101702
26 mm x 26 mm x 3/4"	TH	5	28101408
32 mm x 32 mm x 3/4"	TH	5	28101494
32 mm x 32 mm x 1"	TH	5	28101496
40 mm x 40 mm x 3/4"	TH	1	28115350
40 mm x 40 mm x 1"	TH	1	28115360
40 mm x 40 mm x 1 1/4"	TH	1	28115530
50 mm x 50 mm x 3/4"	TH	1	28115370
50 mm x 50 mm x 1"	TH	1	28115380
50 mm x 50 mm x 1 1/4"	TH	1	28115532
63 mm x 63 mm x 1"	TH	1	28115390
63 mm x 63 mm x 1 1/4"	TH	1	28115400
75 mm x 75 mm x 1"	TH	1	28115550

For all other profiles please refer to the Pressing Profile Compatibility Chart on page 20.

**Please note branch description and size when ordering.**



**Tee Branch Male BSP 16 mm - 26 mm**

WRAS Approved



Description (1 x 2 x 3)	Profile	Pcs/Pack	Code
16 mm x 16 mm x 1/2"	TH	5	28101410
20 mm x 20 mm x 1/2"	TH	5	28101414
20 mm x 20 mm x 3/4"	TH	5	28101415
26 mm x 26 mm x 3/4"	TH	5	28101418

For all other profiles please refer to the Pressing Profile Compatibility Chart on page 20.

**Tee Chromed Copper with Pipe Branch**

WRAS Approved



Description	Profile	Pcs/Pack	Code
20 mm x 20 mm x 15 mm	TH	5	28101694

For all other profiles please refer to the Pressing Profile Compatibility Chart on page 20. Branch length 290 mm. Obsolete product, available while stocks last.

**Tee Equal 16 mm - 75 mm**

WRAS Approved



Description	Profile	Pcs/Pack	Code
16 mm x 16 mm x 16 mm	TH	5	28101962
20 mm x 20 mm x 20 mm	TH	5	28101966
26 mm x 26 mm x 26 mm	TH	5	28101968
32 mm x 32 mm x 32 mm	TH	5	28111490
40 mm x 40 mm x 40 mm	TH	1	28115250
50 mm x 50 mm x 50 mm	TH	1	28115260
63 mm x 63 mm x 63 mm	TH	1	28115270
75 mm x 75 mm x 75 mm	TH	1	28115544

For all other profiles please refer to the Pressing Profile Compatibility Chart on page 20.

### Tee Reducing 16 mm - 75 mm

WRAS Approved



Description (1 x 2 x 3)	Profile	Pcs/Pack	Code
16 mm x 16 mm x 20 mm**	TH	5	28101396
16 mm x 16 mm x 20 mm	TH	5	28101996
20 mm x 16 mm x 16 mm	TH	5	28101982
20 mm x 20 mm x 16 mm	TH	5	28101972
20 mm x 16 mm x 20 mm	TH	5	28101985
20 mm x 20 mm x 26 mm**	TH	5	28101398
20 mm x 20 mm x 26 mm	TH	5	28101998
20 mm x 20 mm x 32 mm**	TH	5	28101503
20 mm x 20 mm x 32 mm	TH	5	28111503
26 mm x 20 mm x 16 mm**	TH	5	28101386
26 mm x 20 mm x 16 mm	TH	5	28101986
26 mm x 26 mm x 16 mm	TH	5	28101976
26 mm x 16 mm x 20 mm**	TH	5	28101388
26 mm x 16 mm x 20 mm	TH	5	28101988
26 mm x 20 mm x 20 mm**	TH	5	28101390
26 mm x 20 mm x 20 mm	TH	5	28101990
26 mm x 26 mm x 20 mm**	TH	5	28101379
26 mm x 26 mm x 20 mm	TH	5	28101979
26 mm x 16 mm x 26 mm**	TH	5	28101391
26 mm x 16 mm x 26 mm	TH	5	28101991
26 mm x 20 mm x 26 mm	TH	5	28101992
26 mm x 26 mm x 32 mm**	TH	5	28101499
26 mm x 26 mm x 32 mm	TH	5	28111499
32 mm x 32 mm x 16 mm**	TH	5	28101497
32 mm x 32 mm x 16 mm	TH	5	28111497
32 mm x 20 mm x 20 mm**	TH	5	28101501
32 mm x 20 mm x 20 mm	TH	5	28111501
32 mm x 26 mm x 20 mm**	TH	5	28101508
32 mm x 26 mm x 20 mm	TH	5	28111508
32 mm x 32 mm x 20 mm**	TH	5	28101502
32 mm x 32 mm x 20 mm	TH	5	28111502
32 mm x 20 mm x 26 mm**	TH	5	28101495
32 mm x 20 mm x 26 mm	TH	5	28111495
32 mm x 26 mm x 26 mm**	TH	5	28101509
32 mm x 26 mm x 26 mm	TH	5	28111509
32 mm x 32 mm x 26 mm	TH	5	28101506
32 mm x 32 mm x 26 mm**	TH	5	28111506
32 mm x 16 mm x 32 mm**	TH	5	28101493
32 mm x 16 mm x 32 mm	TH	5	28111493
32 mm x 20 mm x 32 mm**	TH	5	28101504
32 mm x 20 mm x 32 mm	TH	5	28111504
32 mm x 26 mm x 32 mm**	TH	5	28101507
32 mm x 26 mm x 32 mm	TH	5	28111507
40 mm x 32 mm x 26 mm	TH	1	28115518
40 mm x 40 mm x 26 mm	TH	1	28115514
40 mm x 32 mm x 32 mm	TH	1	28115516
40 mm x 40 mm x 32 mm	TH	1	28115300
40 mm x 32 mm x 40 mm	TH	1	28115520
50 mm x 50 mm x 26 mm	TH	1	28115522
50 mm x 50 mm x 32 mm	TH	1	28115320
50 mm x 40 mm x 40 mm	TH	1	28115524
50 mm x 50 mm x 40 mm	TH	1	28115310
50 mm x 32 mm x 50 mm	TH	1	28115526
50 mm x 40 mm x 50 mm	TH	1	28115528
63 mm x 63 mm x 50 mm	TH	1	28115330
75 mm x 75 mm x 40 mm	TH	1	28115546
75 mm x 75 mm x 50 mm	TH	1	28115548

For all other profiles please refer to the Pressing Profile Compatibility Chart on page 20.

**Please note branch description and size when ordering.**

\*\*Available while stocks last.

### Testing Plugs Red and Blue

WRAS Approved



Description	Profile	Pcs/Pack	Code
½" Blue	TH	50	28090003
½" Red	TH	50	28090004
¾" Blue	TH	50	28090006
¾" Red	TH	50	28090008

For use with female fittings when pressure testing.  
Can be removed following testing and reused.

### Push-fit Stop End



Description	Pcs/Pack	Code
16 mm	1	U9250091
20 mm	1	U9250092

A reusable push-fit stop end provides a leak-proof seal for use when pressure testing a system. It can be removed at any stage in order to allow work to restart or allow an extension to the system.

### Straight Wall Plate Adapter

WRAS Approved



Description	Profile	Pcs/Pack	Code
16 mm x ½"	TH	1	U9292020

Designed to provide a fixed BSP Termination on the face of panelling with a secure MLCP press joint within the service void behind. For all other profiles please refer to the Pressing Profile Compatibility Chart on page 20.

### Retro-fit Securing Plate



Description	Pcs/Pack	Code
Retro-fit Securing Plate	1	U9292022

Retro-fit plate for securing ½" straight or angled Female BSP fittings through cavity panelling.

### MLCP to Copper Transition Fitting

WRAS Approved



Description	Profile	Pcs/Pack	Code
16 x 2 - 15 mm	TH	1	28180226
20 x 2 - 18 mm	TH	1	28180228
20 x 2 - 22 mm	TH	1	28180230
26 x 3 - 22 mm	TH	1	28180232
32 x 3 - 28 mm	TH	1	28180234

Allows the connection of MLCP to copper compression or press fittings. For all other profiles please refer to the Pressing Profile Compatibility Chart on page 20.

**REMS Akku-Press ACC 14.4 V Press Tool (supplied with two batteries)**



Description	Pcs/Pack	Code
10 mm - 110 mm (2 batteries)	1	U9150001

Compact battery operated press tool capable of pressing up to 110 mm. Supplied with 2 x 14.4 V 3.2 Ah batteries and sturdy steel case with slots for press jaws. Compatible with all REMS jaw profiles up to 110 mm. Includes a battery charge status indicator and integrated LED work light. 360° rotatable head with Automatic Circuit Control.

**Akku-Press TH Jaws**



Description	Pcs/Pack	Code
16 mm	1	U9150002
20 mm	1	U9150003
26 mm	1	U9150004
32 mm	1	U9150005
40 mm	1	U9150006
50 mm	1	U9150007
63 mm	1	U9150008
75 mm	1	28100540

TH profile pressing jaws for use with REMS Akku-Press tool.

**REMS Mini-Press 22 V Press Tool (supplied with 2 batteries)**



Description	Pcs/Pack	Code
10 mm - 40 mm	1	U9141001

Ultra light and compact, one handed, battery operated press tool capable of pressing up to 40 mm. Supplied with 2 x 21.6 V 1.5 Ah batteries and L-Boxx system case with inserts. Compatible with all REMS jaw profiles up to 40 mm. Includes a battery charge status indicator and integrated LED work light. 360° rotatable head with Automatic Circuit Control.

### Mini-Press TH Jaws



Description	Pcs/Pack	Code
16 mm	1	U9140002
20 mm	1	U9140003
26 mm	1	U9140004
32 mm	1	U9140005
40 mm	1	U9140006

TH profile pressing jaws for use with REMS Mini-Press tool.

### Pipe Cutting Tools



Description	Pcs/Pack	Code
14 mm - 32 mm Shears	1	28100942
14 mm - 32 mm Rotary Slice	1	28100944
16 mm - 75 mm Rotary Slice	1	28024081

A selection of pipe cutting tools for cutting Gerpex MLCP.

### Pipe Calibration Tool



Description	Pcs/Pack	Code
16 mm	1	U9280001
20 mm	1	U9280002
26 mm	1	U9280003
32 mm	1	U9280004
40 mm	1	U9280005
50 mm	1	U9280006
63 mm	1	U9280007
75 mm	1	28100885
16-20-26 mm	1	U9280008
Case for Calibrators*	1	U9250095
Case for Jaws**	1	U9210100

Used to prepare MLCP prior to insertion into a fitting. Ensures that the pipe is round, free from burrs and will not damage the press fitting o-rings.

\*Calibrators not included - \*\*Jaws not included.

### Leakage Test Plug for Multilayer Pipe - 1/2" Female Fitting



Description	Pcs/Pack	Code
16 x 2	1	28101846
20 x 2	1	28101848

Complete with 1/2" Female fitting for air release valve (provided standard) or pressure gauge (optional).

**Gerpex Tooling** (continued)

**Internal Bending Tool**



Description	Pcs/Pack	Code
16 mm - 500 mm	1	28100616
20 mm - 500 mm	1	28100620
26 mm - 1000 mm	1	28100626

Used to form bends in MLCP without kinking.

**External Bending Tool**



Description	Pcs/Pack	Code
16 mm - 500 mm	1	28100716
20 mm - 500 mm	1	28100720

Used to form bends in MLCP without kinking.

**Hydraulic Bending Machine**



Description	Pcs/Pack	Code
26 mm - 32 mm	1	28100920

Used hydraulically to form bends in 26 mm and 32 mm MLCP.

## Gerpex Accessories

### Plastic Flexi-hinged Clip



Description	Pcs/Pack	Code
15 mm - 16 mm	100	U9290000
19 mm - 21 mm	100	U9290001
25 mm - 27.4 mm	50	U9290002
31.8 mm - 35 mm	50	U9290003

### Plastic Clip Spacer



Description	Pcs/Pack	Code
Universal Clip Spacer	100	U9290004

Plastic clip spacer to allow additional 13mm clearance of pipe from mounting surface. For use with insulated pipe.

### Plastic Link Spacer



Description	Pcs/Pack	Code
Link Spacer	100	U9290005

Plastic link spacer to give greater spacing between clips.

### Rubber Lined Metal Clips



Description	Pcs/Pack	Code
15 mm - 19 mm	10	U9290006
20 mm - 25 mm	10	U9290007
26 mm - 30 mm	10	U9290008
32 mm - 36 mm	5	U9290009
38 mm - 43 mm	5	U9290010
47 mm - 51 mm	5	U9290011
60 mm - 64 mm	5	U9290012
75 mm - 80 mm	5	U9290013

Steel rubber lined clips to suit full Gerpex pipe range. Clip only, supplied to suit 8 mm and 10 mm threaded bar.

# GERPEX

## Radiator Manifold Systems



Manifolds are widely used with underfloor heating, and this same principle can be applied to radiator systems in a 'point to point' configuration.

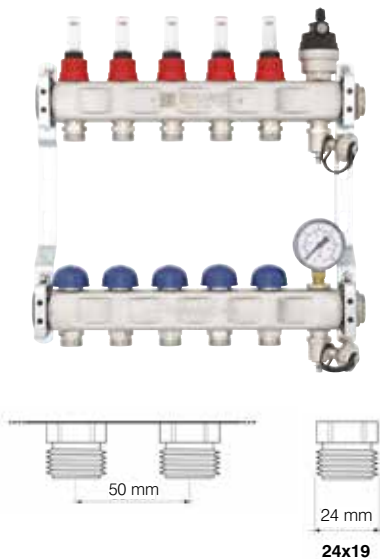
This method vastly reduces the number of joints required, particularly within concealed areas such as floors ceilings and walls. This speeds up the installation time, vastly reduces the potential for leaks and provides isolation of each radiator from a centrally accessible location.

By using a manifold system, larger flow and return pipework from the heat source is limited to serving the manifold and allows smaller bore, flexible and continuous pipework to be used from the manifold to each individual radiator, making it ideal for new build construction as well as refurbishment in both domestic and commercial projects.

In addition to the manifolds, at EMMETI we offer an extensive range of high quality controls, thermostats, radiator valves and accessories to offer a complete radiator system solution.

## Manifolds

### Type 2 Topway Plus Stainless Steel FM Pre-assembled Heating Manifold



For further information, please refer to the diagram on page 98.

Description	Ways	Pcs/Pack	Code
1"	2	1	01282260
1"	3	1	01282262
1"	4	1	01282264
1"	5	1	01282266
1"	6	1	01282268
1"	7	1	01282270
1"	8	1	01282272
1"	9	1	01282274
1"	10	1	01282276
1"	11	1	01282278
1"	12	1	01282280

Flow rail has a double regulating red sleeved 0 - 4 l/min flow meter per circuit that allows individual circuit flow regulation and isolation with visual flow indication. Return rail has a blue capped integrated electro-thermic body to accommodate an electro-thermic actuator per circuit.

Pre-assembled manifold includes 2 x drain off/fill valves, automatic air vents, 6 bar pressure gauge and 2 x blanking plugs. Pre-mounted onto a double offset bracket at 210 mm centres.

For pipe, EMMETI Monoblocco connectors and ball valves please refer to Manifold Accessories section. These must be ordered separately.



## Type 1 Topway WHR Pre-assembled Manifold



Description	Ways	Pcs/Pack	Code
3/4"	2	1	01299670
3/4"	3	1	01299672
3/4"	4	1	01299674
3/4"	5	1	01299676
3/4"	6	1	01299678
3/4"	7	1	01299680
3/4"	8	1	01299682
3/4"	9	1	01299684
3/4"	10	1	01299686
3/4"	11	1	01299688
3/4"	12	1	01299690

**Note: The product does not include the ball valves pictured here.**

For MLCP (Multilayer Composite Pipe) and press fittings to accompany this range please see pages 14-23.

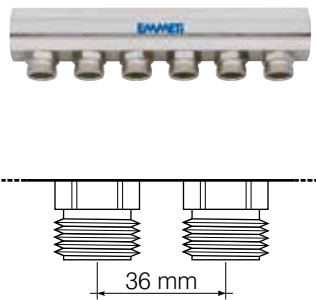
Includes metal brackets, 2 x 3/4" blanking plugs and 2 x 1/2" manual air vents.

For pipe, EMMETI Monoblocco connectors and ball valves please refer to Manifold Accessories section. These must be ordered separately.

**For further information, please refer to the diagram on page 104.**

## Type 1 Topway 3/4" Distribution Manifold

WRAS Approved



Distance between takeoffs : 36 mm

Description	Ways	Pcs/Pack	Code
3/4"	2	1	01293260
3/4"	3	1	01293262
3/4"	4	1	01293264
3/4"	5	1	01293266
3/4"	6	1	01293268
3/4"	7	1	01293270
3/4"	8	1	01293272
3/4"	9	1	01293274
3/4"	10	1	01293276
3/4"	11	1	01293278
3/4"	12	1	01293280

A distribution only manifold in nickel-plated brass. 3/4" F connection at each end with 24 x 19 outlet connection. 1/2" F port for connection of a manual or automatic air vent if required.

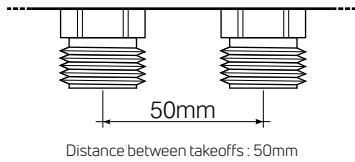
For pipe, EMMETI Monoblocco connectors, plastic or metal mounting brackets, blanking plugs and ball valves please refer to Manifold Accessories section.

These must be ordered separately.

**For further information, please refer to the diagram on page 104.**

Type 1 Topway 3/4", 1" and 1 1/4" Distribution Manifold

WRAS Approved



Description	Ways	Pcs/Pack	Code
3/4"	2	1	01293290
3/4"	3	1	01293292
3/4"	4	1	01293294
3/4"	5	1	01293296
3/4"	6	1	01293298
3/4"	7	1	01293300
3/4"	8	1	01293302
3/4"	9	1	01293304
3/4"	10	1	01293306
3/4"	11	1	01293308
3/4"	12	1	01293310
1"	2	1	01293830
1"	3	1	01293832
1"	4	1	01293834
1"	5	1	01293836
1"	6	1	01293838
1"	7	1	01293840
1"	8	1	01293842
1"	9	1	01293844
1"	10	1	01293846
1"	11	1	01293848
1"	12	1	01293850
1 1/4"	4	1	01294634
1 1/4"	5	1	01294636
1 1/4"	6	1	01294638
1 1/4"	7	1	01294640
1 1/4"	8	1	01294642
1 1/4"	9	1	01294644
1 1/4"	10	1	01294646
1 1/4"	11	1	01294648
1 1/4"	12	1	01294650

A distribution only manifold in nickel-plated brass. 3/4" or 1" F connection at each end with 24 x 19 outlet connection. 1/2" F port for connection of a manual or automatic air vent if required.

For pipe, EMMETI Monoblocco connectors, plastic or metal mounting brackets, blanking plugs and ball valves please refer to Manifold Accessories section. These must be ordered separately.

For further information, please refer to the diagram on page 104.

Type 1 Steel Nickel-plated Manifold, with 3/4" Female Takeoff Connections



Description	Ways	Pcs/Pack	Code
2"	5 + 5	1	07400460
2"	6 + 6	1	07400462
2"	7 + 7	1	07400464
2"	8 + 8	1	07400466
2"	9 + 9	1	07400468
2"	10 + 10	1	07400470
2"	11 + 11	1	07400472
2"	12 + 12	1	07400474
2"	13 + 13	1	07400476
2"	14 + 14	1	07400478
2"	15 + 15	1	07400480

Manifolds bars and outlet branches in drawn steel Fe 306B EN 10305, braze welded in copper and zinc-plated. For pipe, EMMETI Monoblocco connectors and ball Valves please refer to Manifold Accessories section. These must be ordered separately.

Kit contents: 2 x female blanking plugs; 1 x drain/fill valve; 1 x manual/auto air vent; 2 x temperature gauges; pair of metal mounting brackets.

**Supplied without ball valves. For ball valves to use with 3/4" F manifold connections refer to following page.**

## Manifolds (continued)

### ¾" Male BSP Ball Valve with Butterfly Handle and Adaptor for use with Commercial Manifolds



Description	Pcs/Pack	Code
24 x 19 - Red Handle	1	01306196
32 x 1.5 - Red Handle	1	01306192
24 x 19 - Blue Handle	1	01306198
32 x 1.5 - Blue Handle	1	01306194

Choose 24 x 19 for connectors up to 20 mm and 32 x 1.5 for 25 mm and 26 mm connectors. The valves must be used fully open or closed. Not suitable for flow regulation.

### Straight Male-Male BSP Joint, Nickel-plated



Description	Thread	Pcs/Pack	Code
¾" M BSP	24 x 19	1	28103050
¾" M BSP	32 x 1.5	1	28103060

Choose 24 x 19 for connectors up to 20mm and 32 x 1.5 for 25 mm and 26 mm connectors. For EMMETI Monoblocco connectors please refer to Manifold Accessories section.

## Pipe

### PE-RT Barrier Pipe



Description	Coils	Code
12 x 2 (5 Layer)	240 m	U9530031
16 x 2 (5 Layer)	100 m	U9530066
16 x 2 (5 Layer)	240 m	U9530067
16 x 2 (5 Layer)	500 m	U9530068
20 x 2 (5 Layer)	500 m	U9530078

Barrier pipe constructed of polyethylene of raised temperature (PE-RT) inner and an EVOH outer layer. For heating applications only. Maximum operating temperature 95 °C at 8 bar.

The Gerpex MLCP range of pipe (see page 18) can also be used with manifold based radiator systems in addition to the pipes shown above.

## Radiators and Valves



## Radiator Enquiries

To further complement the radiator manifold systems, and as part of Purmo Group (UK) Ltd, EMMETI can discuss radiator requirements for all applications - please contact [sales@emmeti.co.uk](mailto:sales@emmeti.co.uk) for further information and support with your project.

## Thermostatic Radiator Valve and Lockshield Kit for Copper Pipe



Description	Pcs/Pack	Code
Right-angle Valve 10 mm	1	01213118
Right-angle Valve 15 mm	1	01213120
Straight Valve 10 mm	1	01213122
Straight Valve 15 mm	1	01213124

Kit contents: Sensor thermostatic head, 1/2" thermostatic valve body, lockshield valve and a pair of Monoblocco connectors for copper.

## Thermostatic Radiator Valve and Kit for Copper Pipe



Description	Pcs/Pack	Code
Right-angle 10 mm	1	01213110
Right-angle 15 mm	1	01213112
Straight 10 mm	1	01213114
Straight 15 mm	1	01213116

TRV only, no lockshield.

Kit contents: Sensor thermostatic head, 1/2" thermostatic valve body and Monoblocco connector for copper pipe.

## Thermostatic Head



Description	Pcs/Pack	Code
M30 x 1.5 mm	1	01213040

Regulates between 7 and 28 °C using liquid sensor. Rated to 10 bar, 100 °C water, 40 °C ambient. Complies with EN215.

## Thermostatic Head Tamperproof Lock



Description	Pcs/Pack	Code
Tamperproof TRV Lock	1	90023720

## Radiators and Valves (continued)

### Thermostatic Valve Body - Angled for Copper, Multilayer, PEX, PP, PB Pipe



Description	Pcs/Pack	Code
1/2" M x 24 x 19	1	01350342
1/2" M o-ring x 24 x 19	1	01350442

Suitable for pipe between 10 mm and 20 mm. Male threaded 24 x 19 inlet, for Monoblocco connectors, see pages 44-45.

### Thermostatic Valve Body - Angled for Steel



Description	Pcs/Pack	Code
1/2" M x 1/2" F	1	01350350
1/2" M o-ring x 1/2" F	1	01350450

### Thermostatic Valve Body - Straight for Copper, Multilayer, PEX, PP, PB Pipe



Description	Pcs/Pack	Code
1/2" M x 24 x 19	1	01350346
1/2" M o-ring x 24 x 19	1	01350446

Suitable for pipe between 10 mm and 20 mm. Male threaded 24 x 19, for Monoblocco connectors, see pages 44-45.

### Thermostatic Valve Body - Straight for Steel Pipe



Description	Pcs/Pack	Code
1/2" M x 1/2" F	1	01350354
1/2" M o-ring x 1/2" F	1	01350454

### Manual Radiator Valve - Angled for Copper, Multilayer, PEX, PP, PB Pipe



Description	Pcs/Pack	Code
1/2" M x 24 x 19	1	01350304
1/2" M o-ring x 24 x 19	1	01350404

Suitable for pipe between 10 mm and 20 mm. Male threaded 24 x 19 inlet, for Monoblocco connectors, see pages 44-45.

## Radiators and Valves (continued)

## Wheelhead Manual Radiator Valve - Angled for Steel Pipe



Description	Pcs/Pack	Code
1/2" M x 1/2" F	1	01350720
1/2" M o-ring x 1/2" F	1	01350724

## Wheelhead Manual Radiator Valve - Straight for Copper, Multilayer, PEX, PP, PB Pipe



Description	Pcs/Pack	Code
1/2" M x 24 x 19	1	01350312
1/2" M o-ring x 24 x 19	1	01350412

Suitable for pipe between 10 mm and 20 mm. Male threaded 24 x 19 inlet, for Monoblocco connectors, see pages 44-45.

## Wheelhead Manual Radiator Valve - Straight for Steel Pipe



Description	Pcs/Pack	Code
1/2" M x 1/2" F	1	01350328
1/2" M o-ring x 1/2" F	1	01350428

## Lockshield Radiator Valve - Angled for Multilayer, PEX, PP, PB Pipe



Description	Pcs/Pack	Code
1/2" M x 24 x 19	25	01350702
1/2" M o-ring x 24 x 19	25	01350706

Suitable for pipe between 10 mm and 20 mm. Male threaded 24 x 19 inlet, for Monoblocco Connectors, see pages 44-45.

## Lockshield Radiator Valve - Angled for Steel Pipe



Description	Pcs/Pack	Code
1/2" M x 1/2" F	1	01350722
1/2" M o-ring x 1/2" F	1	01350726

## Radiators and Valves (continued)

### Lockshield Radiator Valve - Straight for Copper, Multilayer, PEX, PP, PB Pipe



Description	Pcs/Pack	Code
½" M x 24 x 19	1	01350314
½" M o-ring x 24 x 19	1	01350852

Suitable for pipe between 10 mm and 20 mm. Male threaded 24 x 19 inlet, for Monoblocco connectors, see pages 44-45.

### Lockshield Radiator Valve - Straight for Steel Pipe



Description	Pcs/Pack	Code
½" M x ½" F	1	01350872
½" M o-ring x ½" F	1	01350876

### Point to Point Radiator Connection



Description	Pcs/Pack	Code
½" x 24 x 19 Radiator Tail	1	01306081
24 x 19 x 24 x 19 Elbow	1	28103180

A kit to allow terminal connection at the radiator in a Type 2, manifold based, point to point radiator system.

The tail piece connects into the radiator and the elbow piece allows for a wide range of pipes to be connected via the 24 x 19 thread and Monoblocco connector to suit. Items sold separately.

### Spanner Kit a" - ½" - ¾" - 1"



Description	Pcs/Pack	Code
Universal Rad Spanner	1	01306056

The ½" connector found in the kit is used to tighten radiator tails.

# GERPEX

## Plumbing Manifold Systems



Gerpex Plumbing systems are WRAS approved for use in hot and cold water distribution systems.

This manifold system is designed to facilitate central and/or local distribution of hot and cold water by utilising a point to point plumbing configuration.

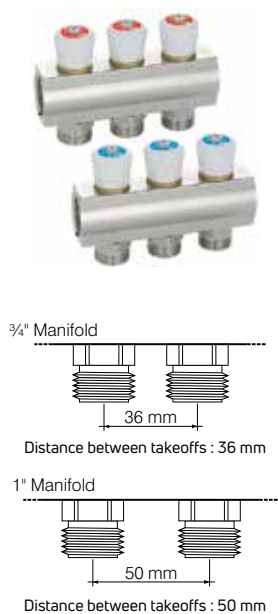
Point to point plumbing is a method of installation using a manifold to distribute hot and cold water to items of sanitary ware and appliances around the property (such as washing machines, sinks, baths, dishwashers, and so on). Each individual outlet is supplied using a continuous length of pipe from the manifold, with joints at the outlet and at the manifold only. This reduction of joints in the system reduces installation time and vastly decreases the potential for leaks.

In addition to the manifolds, EMMETI offer WRAS approved pipe and accessories to provide a complete plumbing system solution.

### Manifolds

#### Type 1 TopSan Manifold with Isolating Taps

WRAS Approved



Description	Ways	Pcs/Pack	Code
3/4"	2	1	01282050
3/4"	3	1	01282052
3/4"	4	1	01282054
3/4"	5	1	01282056
3/4"	6	1	01282058
3/4"	7	1	01282060
3/4"	8	1	01282062
3/4"	9	1	01282064
3/4"	10	1	01282066
3/4"	11	1	01282068
3/4"	12	1	01282070
1"	4	1	01282084
1"	5	1	01282086
1"	6	1	01282088

For Copper, Multilayer, PEX, PP, PB pipe.

Please order two rails, one rail for hot and one for cold supply. Separate blue and red outlet identification labels are shipped with each order. These labels are applied by the installer on site. For 36 mm interaxial spacing a 27 mm spanner is required, code: 01306058 or 01306054.

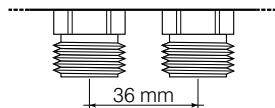
For WRAS approved MLCP (Multilayer Composite Pipe), EMMETI Monoblocco connectors, plastic or metal mounting brackets, blanking plugs and ball valves please refer to Manifold Accessories section.

**For further information, please refer to the diagram on page 101.**



## Multiplex Sanitary Manifold with Isolating Taps

WRAS Approved



Distance between takeoffs : 36 mm

Description	Ways	Pcs/Pack	Code
3/4"	2	1	01307260
3/4"	3	1	01307265
3/4"	4	1	01307270
1"	2	1	01307280
1"	3	1	01307285
1"	4	1	01307290

For Copper, Multilayer, PEX, PP, PB pipe.

Please order two rails, one rail for hot and one for cold supply. Separate blue and red outlet identification labels are shipped with each order. These labels are applied by the installer on site. For 36 mm interaxial spacing a 27 mm spanner is required, code: 01306058 or 01306054.

For WRAS approved MLCP (Multilayer Composite Pipe), EMMETI Monoblocco connectors, plastic or metal mounting brackets, blanking plugs and ball valves please refer to Manifold Accessories section.

For further information, please refer to the diagram on page 102.

## Bridging Piece for Multiplex Manifold

WRAS Approved



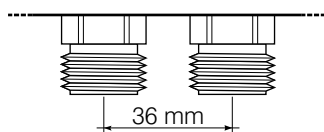
Description	Pcs/Pack	Code
3/4"	1	01307200
1"	1	01307210

A bridging piece to allow extension of Multiplex manifolds.

Note: Not suitable for Modular manifolds. Alternative is to use TopSan series.

## Topway SN 3/4" Distribution Manifold

WRAS Approved



Distance between takeoffs : 36 mm

Description	Ways	Pcs/Pack	Code
3/4"	2	1	01293260
3/4"	3	1	01293262
3/4"	4	1	01293264
3/4"	5	1	01293266
3/4"	6	1	01293268
3/4"	7	1	01293270
3/4"	8	1	01293272
3/4"	9	1	01293274
3/4"	10	1	01293276
3/4"	11	1	01293278
3/4"	12	1	01293280

A distribution only manifold in nickel-plated brass. 3/4" F connection at each end with 24 x 19 outlet connection. 1/2" F port for connection of a manual or automatic air vent if required.

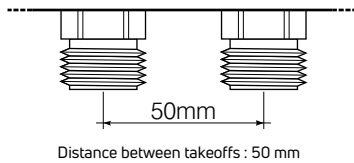
For WRAS approved MLCP (Multilayer Composite Pipe), EMMETI Monoblocco connectors, plastic or metal mounting brackets, blanking plugs and ball valves please refer to Manifold Accessories section.

For further information, please refer to the diagram on page 104.

**Manifolds** (continued)

**Topway SN Distribution Manifold**

WRAS Approved



Description	Ways	Pcs/Pack	Code
3/4"	2	1	01293290
3/4"	3	1	01293292
3/4"	4	1	01293294
3/4"	5	1	01293296
3/4"	6	1	01293298
3/4"	7	1	01293300
3/4"	8	1	01293302
3/4"	9	1	01293304
3/4"	10	1	01293306
3/4"	11	1	01293308
3/4"	12	1	01293310
1"	2	1	01293830
1"	3	1	01293832
1"	4	1	01293834
1"	5	1	01293836
1"	6	1	01293838
1"	7	1	01293840
1"	8	1	01293842
1"	9	1	01293844
1"	10	1	01293846
1"	11	1	01293848
1"	12	1	01293850
1 1/4"	4	1	01294634
1 1/4"	5	1	01294636
1 1/4"	6	1	01294638
1 1/4"	7	1	01294640
1 1/4"	8	1	01294642
1 1/4"	9	1	01294644
1 1/4"	10	1	01294646
1 1/4"	11	1	01294648
1 1/4"	12	1	01294650

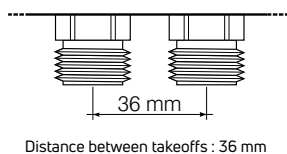
A distribution only manifold in nickel-plated brass. 3/4" or 1" F connection at each end with 24 x 19 outlet connection. 1/2" F port for connection of a manual or automatic air vent if required.

For WRAS approved MLCP (Multilayer Composite Pipe), EMMETI Monoblocco connectors, plastic or metal mounting brackets, blanking plugs and ball valves please refer to Manifold Accessories section.

For further information, please refer to the diagram on page 104.

**Modular Simple Manifold**

WRAS Approved



Description	Ways	Pcs/Pack	Code
3/4"	2	1	01303050
3/4"	3	1	01303052
3/4"	4	1	01303054
1"	2	1	01303060
1"	3	1	01303062
1"	4	1	01303064

For Copper, Multilayer, PEX, PP, PB pipe. For use with plastic brackets.

For 36 mm interaxial spacing a 27 mm spanner is required, code: 01306058 or 01306054.

For WRAS approved MLCP (Multilayer Composite Pipe), EMMETI Monoblocco connectors, plastic or metal mounting brackets, blanking plugs and ball valves please refer to Manifold Accessories section.

For further information, please refer to the diagram on page 103.

**PIPE AND FITTINGS**

For all pipe and fittings required for the Plumbing Manifold Systems please refer to the Gerpex Pipe and Fittings section.

EMMETI offer a wide range of accessories for the Gerpex Manifold Systems.

When installing EMMETI manifolds it is important to use EMMETI purpose designed accessories, made specifically to ensure safe and trouble-free installation. EMMETI have developed these accessories over many years and now have a wide range to meet a wide variety of application requirements.

# GERPEX

## Manifold Accessories

### Manifold Ball Valves

#### Pair of Progress Valves Male - Revolving Nut with Butterfly Handle 1" Female-Male Union Connection



Description	Pcs/Pack	Code
1" F x MU	1	01306708
1" Flat Gasket	1	90066680

Boxed as a pair, with red and blue aluminium butterfly handles. Includes o-ring seals.

#### Pair Straight Progress Valves with Offset Temperature Gauge, Female-Male Union Connection



Description	Pcs/Pack	Code
1" F x MU	1	01306710
1" Flat Gasket	1	90066680

Boxed as a pair, with red and blue aluminium butterfly handles. Includes o-ring seals.

#### Pair Right-Angle Progress Valves, Female-Male with Union Connection



Description	Pcs/Pack	Code
1" F x MU	1	01306712
1" F x MU c/w Temperature Gauge	1	01306714
1" Flat Gasket	1	90066680

Boxed as a pair, with red and blue aluminium butterfly handles. Includes o-ring seals.

#### Pair Right-Angle Progress Valves with Female-Male Union Connection



Description	Pcs/Pack	Code
¾" F x MU	1	9745R005
1" F x MU	1	6064R006
1¼" F x MU	1	9745R007

Boxed as a pair, with red and blue aluminium butterfly handles. Includes o-ring seals.

#### Pair Straight Progress Valves with Female-Male Union Connection



Description	Pcs/Pack	Code
¾" F x MU	1	9723R005
1" F x MU	1	6062R006
1¼" F x MU	1	9723R007
<b>With In-line Temperature Gauge</b>		
1¼" F x MU	1	9722R007

Boxed as a pair, with red and blue aluminium butterfly handles. Includes o-ring seals.

## Manifold Ball Valves (continued)

### Pair Right-Angle Progress Valves with Offset Temperature Gauge, Female-Male Union Connection



Description	Pcs/Pack	Code
1" F x MU	1	6063R006

Boxed as a pair, with red and blue aluminium butterfly handles. Includes o-ring seals.

### Pair Right-Angle Progress Valves with In-line Temperature Gauge, Female-Male Union Connection



Description	Pcs/Pack	Code
1¼" F x MU	1	9744R007

Boxed as a pair, with red and blue aluminium butterfly handles. Includes o-ring seals.

## Monoblocco Pipe Connectors

### Monoblocco Connector for Plastic PB Polybutylene Pipe

WRAS Approved



Description	Thread	Pcs/Pack	Code
10	24 x 19	1	28100318
15	24 x 19	1	28100330

Please ensure you use the plastic pipe insert provided for by the manufacturer of the pipe you are using.

### Monoblocco Connector for Copper Pipe

WRAS Approved



Description	Thread	Pcs/Pack	Code
10	24 x 19	1	01321410
15	24 x 19	1	01321415

### Monoblocco Connector for Multilayer Composite Pipe

WRAS Approved



Description	Thread	Pcs/Pack	Code
12 x 1.6	24 x 19	1	28100355
14 x 2	24 x 19	1	28100356
16 x 2	24 x 19	1	28100358
16 x 2.25	24 x 19	1	28100360
18 x 2	24 x 19	1	28100364
20 x 2	24 x 19	1	28100366
26 x 3	32 x 1.5	1	28100368

Note: Manifolds with 24 x 19 takeoff connections can be adapted for use with 32 x 1.5 Monobloccos by using the following fitting: 24 x 19 F - 32 x 1.5 M, code 01306252. See page 46.

## Monoblocco Pipe Connectors (continued)

### Monoblocco Connector for PE-X, Pure PE-RT and PP



Description	Thread	Pcs/Pack	Code
12 x 1	24 x 19	1	28110100
12 x 2	24 x 19	1	28110106
16 x 1.5**	24 x 19	1	28100332
16 x 1.8	24 x 19	1	6239R916
16 x 2	24 x 19	1	28110118
16 x 2.2**	24 x 19	1	28100336
17 x 2	24 x 19	1	28110122
20 x 2	24 x 19	1	28110346
25 x 2.3**	32 x 1.5	1	28100382

Not suitable for use with MLCP, see correct connector above.

Note: Manifolds with 24 x 19 takeoff connections can be adapted for use with 32 x 1.5 Monoblocos by using the following fitting:

24 x 19 F - 32 x 1.5 M, code 01306252. See page 46.

\*\*Available while stocks last.

## Manifold Cabinets

### Manifold Cabinet in Galvanized Steel with White Enamelled Door



Description	Pcs/Pack	Code
L500 mm (560 x 600 x 80-120)	1	01301450
L700 mm (760 x 600 x 80-120)	1	01301454
L850 mm (910 x 600 x 80-120)	1	01301456
L1000 mm (1060 x 600 x 80-120)	1	01301458
L1200 mm (1260 x 600 x 80-120)	1	01301460

Door to fit flush with finished surface. Box for manifolds, flush fitting with adjustable depth. Supplied complete with quarter turn catch, feet adjustable for height from 0mm to 100 mm and cover for protection during site work.

Key lock can be purchased separately see code 90065020.

### Backless on-wall manifold cabinet for heating manifolds



Description	Pcs/Pack	Code
L400 mm (380 x 640 x 135)	1	U9282600
L530 mm (510 x 640 x 135)	1	U9282620
L680 mm (660 x 640 x 135)	1	U9282630
L830 mm (810 x 640 x 135)	1	U9282640
L1030 mm (1010 x 640 x 135)	1	U9282650
L1130 mm (1110 x 640 x 135)	1	U9282660

A range of backless metal cabinets designed to be fitted once the manifolds has been fitted, tested, commissioned and decoration has been completed.

Please see cabinet sizing technical guide at [www.emmeti.co.uk](http://www.emmeti.co.uk) for correct selection.

### Termobox - White Plastic Universal Manifold Box



Description	Pcs/Pack	Code
310 x 310 x 90	1	01302092
460 x 310 x 90	1	01302102
610 x 310 x 90	1	01302112

Integrated into the back panel of the box are two slider rails, to support an upper and lower manifold when used with slider rail brackets.

Suitable for use with hot and cold plumbing manifolds, as well as heating manifolds. Knock out panels allow for pipe distribution on all sides.

For manifold sizing information, please see our website [www.emmeti.co.uk](http://www.emmeti.co.uk)



## Manifold Cabinets (continued)

### Key Lock for In-wall Manifold Cabinets



Description	Pcs/Pack	Code
Key Lock	1	90065020

## Adapters and Fittings

### Copper Adaptor; Brass Chrome-plated

WRAS Approved



Description	Pcs/Pack	Code
22 mm Copper x 1" M BSP	1	U9240018
22 mm Copper x 3/4" M BSP	1	U9240020

### Straight Fitting Female 24 mm x 19 mm - Male 32 mm x 1.5 mm

WRAS Approved



Description	Pcs/Pack	Code
24 x 19 - 32 x 1.5	1	01306252

Complete with o-ring and adaptor for female connection.

### Straight Fitting Male 1/2" - Male 32 mm x 1.5 mm

WRAS Approved



Description	Pcs/Pack	Code
1/2" M BSP - 32 x 1.5	1	01306250

Complete with o-ring on 1/2" BSP male side.

### Straight Swivel Adaptors, Nickel-plated

WRAS Approved



Description	Pcs/Pack	Code
1" M x 1" M	1	01306426
1 1/4" M x 1 1/4" M	1	01306430
1 1/4" M x 1" M Reducer	1	01306432
3/4" M x 3/4" M	1	01306434
1" M x 3/4" M	1	9682R030

Allows orientation of product during installation.

### Straight Male-Male Adaptors

WRAS Approved



Description	Pcs/Pack	Code
1" M x 1" M with o-ring Seal	1	90006700
1 1/4" M x 1 1/4" M with o-ring Seal	1	90006910

For bridging between Topway manifolds.

## Adapters and Fittings (continued)

### Blanking Plugs, Male and Female

WRAS Approved



Description	Pcs/Pack	Code
½" M with o-ring Seal	1	90004930
¾" M with o-ring Seal	1	90004820
1" M with o-ring Seal	1	90004830
1¼" M with o-ring Seal	1	90005070
¾" F*	1	01291536
1" F*	1	01291538
24 x 19 F with o-ring Seal (Manifold Outlet Cap)	1	01321460

\* Use the appropriate washer (90008200 or 90008210) shown below when ordering these items.

### Female Washers

WRAS Approved



Description	Pcs/Pack	Code
¾" F	1	90008200
1" F	1	90008210
1" F - EPDM*	1	90066680

\* To suit ball valves 01306708 and 0130710.

### Reducer Fittings, Nickel-plated

WRAS Approved



Description	Pcs/Pack	Code
¾" M x a" F	1	90005050
¾" M x ½" F	1	90004840
1" M x a" F	1	90005060
1" M x ½" F	1	90004850
1" M x ¾" F	1	90006870
1¼" M x ½" F	1	90005080
1¼" M x 1" F	1	90005084
½" M x ¼" F with o-ring Seal and Gasket	1	01306464

### Hose Tail for Filling and Draining



Description	Pcs/Pack	Code
¾" Loose Nut x a" Barb	1	09020012

### Straight Male-Female Adaptor



Description	Pcs/Pack	Code
1" M x 1" F Flat Union Coupling and Gasket	Pair	01306460

These are sold in pairs.

### Straight Male-Female Adaptor



Description	Pcs/Pack	Code
1" M BSP x 1" F Union Connector	1	90055960

Two are required when tightening swivel adaptors, for use with stainless steel manifolds.

## Manifold Brackets

### Metal Brackets for Topway Manifolds, Pairs of Single Brackets



Description	Pcs/Pack	Code
¾"	Pair	90011500
1"	Pair	90011510
1¼"	Pair	90011520

### Metal Brackets for Topway Manifolds, Pairs of Double Brackets



Description	Centres	Pcs/Pack	Code
¾"	200 mm	Pair	90011530
1"	200 mm	Pair	90011540
1¼"	200 mm	Pair	90011550
¾"	210 mm	Pair	90011560
1"	210 mm	Pair	90011570
1¼"	210 mm	Pair	90011580
<b>T2 Topway Plus Manifolds</b>			
1"	210 mm	Pair	01306826

For use when fitting a manifold to either a 200 mm or 210 mm centre control group.

### Plastic Bracket Support Kits for Topway and TopSan Manifolds



Description	Size	Pcs/Pack	Code
10 Pairs Bracket Support Kit	¾"	1	01302120
10 Pairs Bracket Support Kit	1"	1	01302130

To be used with slider rails or Termobox cabinet.

### Plastic Bracket Support Kits for Modular and Multiplex Manifolds



Description	Size	Pcs/Pack	Code
10 Pairs Bracket Support Kit	¾"	1	01302140
10 Pairs Bracket Support Kit	1"	1	01302150

### Aluminium Slider Rail for Bracket Support Kits supplied with Screw and Rawlplug Pack



Description	Pcs/Pack	Code
200 mm	1	01306398
400 mm	1	01306400

Provided with two 4.5 mm dia pre-drilled holes.

The 400 mm version is provided with four 4.5 mm dia pre-drilled holes, in two pairs spaced 160 mm apart. Kiss cut at 200 mm.

## Manifold Brackets (continued)

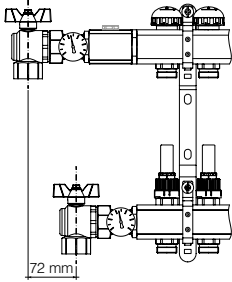
### Insulating Shells for Topway Manifolds



Description	Pcs/Pack	Code
1¼"	1	01306502

In extruded polyethylene. 12 branch holes at 50 mm intervals. To be cut to size according to the number of ways of the manifold to be insulated.

### Extension Piece for Topway Manifolds



Description	Pcs/Pack	Code
M-F 1" c/w ½" Blanked Port	1	01306254
M-F 1¼" no Port	1	01306256

Used to offset either the flow or return angled ball valves on the left side of a manifold. It allows you to run pipe vertical and parallel.

## Manifold Tooling

### Spanner for Straight Swivel Adaptors 37 mm - 48 mm AF



Description	Pcs/Pack	Code
37 mm - 48 mm	1	01306044

Two are required when tightening swivel adaptors.

### 27mm - 30mm AF Spanner for tightening 24mm x 19mm Monoblocco Connectors



Description	Pcs/Pack	Code
27 mm - 30 mm	1	01306058

Designed to easily tighten the takeoff connections in the 36 mm interaxial space provided. The 30 mm jaw is designed for use with larger Monoblocco connectors.

### 27 mm AF Spanner for Tightening 24 mm x 19 mm Monoblocco Connectors



Description	Pcs/Pack	Code
27 mm	1	01306054

For Monoblocco connectors up to dia 18 mm only. Shoulderless spanner for manifolds with 36 mm interaxials.

### 38 mm AF Spanner for 32 mm x 1.5 mm Monoblocco Connectors



Description	Pcs/Pack	Code
38 mm	1	28171002

To be used for the tightening of Monoblocco connectors 32 x 1.5 on the takeoff connections of Topway manifolds with 50 mm connector spacing.





# UNDERFLOOR

## Heating Solutions

Underfloor heating provides an efficient and uniform heat that ensures a comfortable living environment. To facilitate this EMMETI manufacture a range of underfloor system components to the highest quality standards. The EMMETI range of components ensure that any system requirements can be met and where necessary bespoke OEM solutions can be developed.

# UNDERFLOOR Heating Solutions

In addition to pipework, a key component is the UFH manifold and the associated components. At EMMETI we offer an extensive range of high quality manifolds, components and accessories.



## Design and Development

Innovative and market specific products developed to suit a wide range of applications.



## UFH Components

Full range of components to suit all UFH system types, manufactured in-house. Many are BIM ready with models available in Revit format.



## Quality

High quality products manufactured in Italy for over 30 years complying with all local standards and to strict quality plans. ISO 9001 and 14001 certified.



## OEM

Original Equipment Manufacture product proposals to suit bespoke customer requirements.



## Technical Support

UK based technical support with direct link to the manufacturing plants ensure rapid, relevant and accurate technical support. Full technical documentation specific to the UK available online at [www.emmeti.co.uk](http://www.emmeti.co.uk)



## Customer Service

UK based customer service team and efficient supply chain processes, ensure that service levels exceed customers expectations.





# **LOWtex**

**NEW Product**

**Suitable for multiple build types, while achieving the appearance, functionality and performance of a solid floor.**

**EMMETI 12 x 2 PE-RT pipe is the perfect pipe to use with the LOWtex panel to provide a complete solution.**



Multi-directional panel to suit any design



Suitable for retro-fit and new builds



Can be used with 12 mm pipe



15 mm system make up



Light and easy to install



## Specific Features:

- Greater outputs can be achieved over similar dry install systems such as EPS, foil or plates and cement boards
- Easy single person installation
- Lower levels of waste, reduced costs and less effort upon disposal
- Secure pipe holder for standard compliant installation and uniform temperature distribution, at the same time simple repositioning is possible
- Resistant to impact
- Becomes integral part of the floor structure once latex screed has been applied

## Product Details:

<b>Description</b>	15mm LOWtex panel 1050 x 650mm (0.6m <sup>2</sup> ) with adhesive
<b>Product code</b>	U9282700
<b>Pipe diameter in mm</b>	12mm
<b>Usable area per board</b>	0.6m <sup>2</sup>
<b>Immediate spacing distance</b>	50mm
<b>Diagonal spacing distance</b>	43mm / 70mm
<b>Dimensions</b>	1050 x 650mm
<b>Colour</b>	Black / Anthracite
<b>Pack size</b>	9.6m <sup>2</sup>
<b>System height</b>	15 - 18mm
<b>Press button feature</b>	Yes

Please note that the minimum order quantity for these is 96 sheets (6 packs).

[www.emmeti.co.uk](http://www.emmeti.co.uk)

# UNDERFLOOR Manifolds



Underfloor heating is becoming the system of choice in the UK because of its ability to provide efficient and uniform heat.

The radiant heat provided at floor level creates a large heated surface that dissipates heat evenly into the living space whereas a radiator will produce convection currents that rise to the highest part of the room, meaning that the majority of the heat is lost at ceiling height. This makes underfloor heating more efficient for two main reasons:

- The heat emitted is used more effectively, resulting in less wasted heat
- The heat required to enable this is generally delivered between 35-55 °C compared with 65-75 °C for radiators which means that the heat source will operate for a shorter amount of time and therefore use less energy.

These energy savings combined with silent running and increased flexibility for room layouts gives a solution that will add real value to a property.

At EMMETI we offer an extensive range of high quality manifolds and controls plus the thermostats, pipes, and accessories required to form a full system solution.

## UFH Manifolds

### Type 2 Topway Plus Stainless Steel FM Pre-assembled Heating Manifold



For further information, please refer to the diagram on page 98.

Description	Ways	Pcs/Pack	Code
1"	2	1	01282260
1"	3	1	01282262
1"	4	1	01282264
1"	5	1	01282266
1"	6	1	01282268
1"	7	1	01282270
1"	8	1	01282272
1"	9	1	01282274
1"	10	1	01282276
1"	11	1	01282278
1"	12	1	01282280

Flow rail has a double regulating red sleeved 0 - 4 l/min flow meter per circuit that allows individual circuit flow regulation and isolation with visual flow indication. Return rail has a blue capped integrated electro-thermic body to accommodate an electro-thermic actuator per circuit.

Pre-assembled manifold includes 2 x drain off/fill valves, automatic air vents, 6 bar pressure gauge and 2 x blanking plugs. Pre-mounted onto a double offset bracket at 210 mm centres.

For pipe, EMMETI Monoblocco connectors and ball valves please refer to Manifold Accessories section. These must be ordered separately.



**FMU3 Floor Mixing Unit with Low Temperature Manifold including Flowmeters**



Description	Pcs/Pack	Code
1" 2-way	1	28132460
1" 3-way	1	28132462
1" 4-way	1	28132464
1" 5-way	1	28132466
1" 6-way	1	28132468
1" 7-way	1	28132470
1" 8-way	1	28132472
1" 9-way	1	28132474
1" 10-way	1	28132476
1" 11-way	1	28132478
1" 12-way	1	28132480

Designed for underfloor heating the FMU-3 Floor Mixing Unit is a pre-assembled control group and stainless-steel manifold assembly between 2 and 12-way. Incorporating the TM3-R control group that uses an integrated mixing valve with a remote sensing actuator, with an operating range of between 20 ° and 65 °C. The FMU-3 includes a high efficiency Grundfos UPM3 Auto 7m pump.

The flow rail has a double regulating red sleeved 0 - 4 U/min flow meter per circuit that allows individual circuit flow regulation and isolation with visual flow indication. Return rail has a blue capped integrated electro-thermic body to accommodate an electro-thermic actuator per circuit. The Grundfos UPM3 Auto 7 m pump is ErP 2015 compliant, with 3 control modes and a double de-blocking system.

For pipe, EMMETI Monoblocco connectors and ball valves please refer to Manifold Accessories section. These must be ordered separately.

For further information, please refer to the diagram on page 99.

**UFH Mixer Control Groups**

**TM3-R Thermostatic Mixer Control Group with Grundfos UPM3 Auto Pump**



Description	Pcs/Pack	Code
TM3-R Control Group. Thermostatic Mixing Valve	1	28132274

The TM3-R is designed for underfloor heating. The control group incorporates a Grundfos UPM3 Auto 7 m pump and a mixing valve with remote probe actuation to give a temperature range of between 20-65 °C, making it suitable for screed drying purposes. It includes a throttle to increase Kv for larger systems. Compatible with our Type 2 Topway Plus manifold 210 mm centres. Includes 1" M manifold connections with o-ring seals and 1" M connections for primary flow and return.

Includes a temperature gauge measuring the mixed flow temperature, manual air vent and bracket to support the weight of the pump.

The Grundfos UPM3 Auto 7 m pump is ErP 2015 compliant, with 3 control modes and a double de-blocking system.

Mixing Valve Kvs 3 - 4.8, 10 kw - 18 kw.

For further information, please refer to the diagram on page 100.

**M3V-HE Control Group with Class A Circulating Pump, Mixing Valve and Auto Bypass**



Description	Pcs/Pack	Code
1" **	1	28158300
1 1/4" **	1	28158310

The M3V-HE is a mixing valve assembly with integrated Class A circulating pump, mixing valve body, drain/fill valves, automatic air vent and automatic bypass.

For use with Topway Type 2 Plus Manifolds at 200 or 210 mm centres with thermostatic or electronic mixing capabilities.

\*\*Available while stocks last.

# UNDERFLOOR Heating Pipe



EMMETI offer a variety of pipe to suit various types of installations. From the WRAS approved Gerpex for use with both sanitary and underfloor heating systems to the Alpert MLCP, PE-RT barrier pipe and PE-RT pipe which can be used in both underfloor heating and radiator systems, all of which are available in various pipe and coil sizes to suit all installation requirements.

## Pipe and Accessories

### Alpert MLCP Barrier Pipe for Underfloor Heating Only



Description	Coils	Code
16 x 2	100 m	28107002
16 x 2 (random numbering*)	100 m	28107055
16 x 2	200 m	28107000
16 x 2	500 m	28107004
20 x 2	100 m	28107016

Multilayer Composite pipe. Made from a 5 layer composite material, using PE-RT as the inner and outer layers coupled with a 0.2 mm butt welded aluminium core. Maximum operating pressure 10 bar; maximum operating temperature 70 °C.

\*Pipe with random metre numbering, subject to availability.

### PE-RT Barrier Pipe



Description	Coils	Code
12 x 2 (5 Layer)	240 m	U9530031

Barrier pipe constructed of polyethylene of raised temperature (PE-RT) inner and an EVOH outer layer. For heating applications only. Maximum operating temperature 95 °C at 8 bar.

## Pipe and Accessories (continued)

### Pipe Conduit



Description	Coils	Code
25 x 20 ID Black**	25 m	U9510110
25 x 20 ID Red	50 m	U9510030
25 x 20 ID Blue	50 m	U9510040
28 x 23 ID Red	50 m	U9510050

A range of flexible conduit with an internal diameter of between 19 mm and 23 mm. To protect and sleeve the pipe through areas where heat is not required. Pipe marked \*\* is slit for ease of installation.

The Gerpex MLCP range of pipe (see page 18) can be used with manifold based Underfloor Heating Systems in addition to the pipes shown above.

### Pipe Decoiler



Description	Pcs/Pack	Code
Low Roll Decoiler	1	U9281810
Low Roll Decoiler with Telescopic Arms	1	U9281820
High Roll Decoiler	1	U9281830

These pipe decoilers allow pipe rolls to be uncoiled consistently and easily to aid installation.

For Monoblocco Connectors to provide connection of pipes to EMMETI manifolds, radiator valves and fittings, see pages 44 and 45.

# UNDERFLOOR

## Fixing Systems



EMMETI offer a full and comprehensive range of flooring panels and fixings to suit various installation methods, including tacker clips, castellated panels, edge insulation and spreader plates.

### Underfloor Heating Fixings

#### Scored Edge Strip



Description	Pack	Code
Edge Strip 150 mm	25 m roll	U9282010
Edge Strip with Overlap 150 mm	25 m roll	U9282020
Edge Strip c/w Overlap, Adhesive 150 mm	25 m roll	U9282030

Available in three variants Scored Edge Strip; Scored Edge Strip with Overlap (overlap creates a barrier between floor insulation and edging strip); Scored Edge Strip with adhesive tape (3 cm wide) for easy application to the wall. All are 8 mm thick and in 25 m rolls

#### Clip Rail for Pipe 16 mm - 20 mm



Description	Unit Length	Pcs/Pack	Code
Clip Rail without Adhesive	1 m	1 Rail	U9282400
Clip Rail with Adhesive	1 m	1 Rail	U9282410
Clip Rail with Double Barb	1 m	1 Rail	U9282420

Three types of mounting rail to cater for pipes from 16 mm to 20 mm: Clip Rail without self adhesive tape, Clip Rail with adhesive and Clip Rail with double barb. All 1 metre in length and can be interconnected.

#### Pipe Bend Supports



Description	Pcs/Pack	Code
Bend Support 10 mm - 12 mm with Fixing Lug	1	U9282500
Bend Support 14 mm - 18 mm	1	U9282510
Bend Support 20 mm - 22 mm	1	U9282520
Bend Support 25 mm	1	U9282530
Bend Support 32 mm - 34 mm	1	U9282540

Used to protect and support the pipe between the manifold and where it enters the floor, will prevent the pipe from excessive bending. Smaller size includes a fixing lug.

## Underfloor Heating Fixings (continued)

### Tacker Gun for 40 mm - 60 mm Pipe Staples



Description	Pcs/Pack	Code
Tacker Gun	1	U9282320

This manual stapling tool is designed to allow quick and continuous pipe fixing to insulation layer. It is recommended that you use the EMMETI tacker staples, shown below with this tacker gun. Now features a clip removal window in case of the clipping mechanism becoming blocked during installation.

### Tacker Staples for 16 mm - 20 mm Pipe



Description	Pcs/Pack	Code
Single Hook 40 mm	300	U9282100
Double Hook 40 mm	300	U9282110
Double Hook 50 mm	250	U9282120
Single Hook 57 mm	300	U9282130

A range of staples designed for use with our tacker gun. Available in three lengths and as single or double hooked staples.

### Manual Clips for 15 mm - 18 mm Pipe



Description	Pcs/Pack	Code
Manual Clips 50 mm (PP)	200	U9282200
Manual Clips 66 mm (PP)	200	U9282220

Enables manual installation of pipe to the insulating layer. Material is Polypropylene (PP).

### Straddle Clips



Description	Pcs/Pack	Code
Straddle Clip 90 mm x 28 mm	100	U9282260

For use on insulation panels to retain and guide pipe, by bridging between bosses. Can also be used to bridge between insulation sheets to anchor them in place.

### Twist Pipe Clips for 16 mm - 18 mm Pipe



Description	Pcs/Pack	Code
Manual Twist Pipe Clip for 16 mm - 18 mm	50	U9282240

Used to fix floor heating pipes to the insulating layer, designed to be hand threaded into insulation to the pipe.

## Underfloor Heating Fixings (continued)

These are not weight bearing surfaces. Please ensure that there is sufficient mechanical strength in the floor construction. For sizing, OH means overall height and TI is thickness of insulation element of the panel.

**NEW**

### 15 mm LOWtex Panel



**EMMETI 12 x 2 PE-RT pipe is the perfect pipe to use with the LOWtex panel to provide a complete solution.**

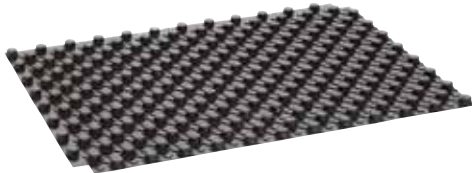
Description	Pcs/Pack	Code
1050 x 650 mm (0.6 m <sup>2</sup> )	16 (9.6 m <sup>2</sup> )	U9282700

Suitable for multiple build types, achieving the appearance, functionality and performance of a solid floor. The LOWtex panel can easily be installed by a single person and can also achieve greater outputs over dry install systems such as EPS, foil, plates and cement boards.

Please note that the minimum order quantity for these is 96 sheets (6 packs).

**For more information on our NEW LOWtex panel, please see pages 54-55.**

### Castellated Panel



Description	Pcs/Pack	Code
1250 mm x 850 mm no Adhesive Layer	10.56 m <sup>2</sup>	28134260
1250 mm x 850 mm with Adhesive Layer	10.56 m <sup>2</sup>	28134262

The panels are non-insulated and are designed to be laid on top of the insulation. The panels allow easy installation of underfloor heating pipework. A pack contains 11 panels.

### Spreader (Heat Emission) Aluminium Plates



Description	Pcs/Pack	Code
Double Channel (2-way) without Cuts 390 mm x 1 m x 0.5 mm x 200 mm Centres	40	U9285450
Double Channel (2-way) Cuts 390 mm x 1 m x 0.5 mm x 200 mm Centres	40	U9285460

To suspend underfloor heating pipe between joists or beneath wooden flooring. Can also be used with castellated panels to give even dissipation of heat. Available as single or double channels with 200 mm centres. Suitable for 16mm pipe.

### Closing Bend for Spreader Plates



Description	Pcs/Pack	Code
Closing Bend for Spreader Plate 400 mm x 150 mm x 200 mm x16 dia Pipe	10	U9285510

For use with spreader plates. Designed to allow a closed bend at the end of each loop. Suitable for 16 mm pipe, at 200 mm centres. Material: expanded polystyrene.



EMMETI offer a wide range of underfloor heating spares and accessories.

When installing EMMETI manifolds it is important to use EMMETI purpose designed accessories, made specifically to ensure safe and trouble-free installation. EMMETI have developed these accessories over many years and now have a wide range to meet a wide variety of application requirements.

# UNDERFLOOR

## Spares and Accessories

### Manifold Spares and Accessories

#### Remote Sensing Thermostatic Actuator



Description	Pcs/Pack	Code
Remote Sensing Thermostatic Actuator	1	90060890

A remote sensing thermostatic actuator with a shortened and sleeved capillary tube (400 mm) to give added protection. Temperature range between 20-65 °C with range limiting pins.

#### Male Tee Union with Female Pipe Union for Temperature Gauge



Description	Pcs/Pack	Code
FU-M 24 x 19	1	90011760

The temperature gauge on page 60 is designed to be fitted to the flow and return manifold takeoff connections, allowing in-line monitoring of circuit temperatures.

#### Differential Pressure By-pass Kit with Right Angle Progress Ball Valves



Description	Pcs/Pack	Code
1"	1	01306186

Differential pressure by-pass valve from 0.2 to 0.5 bar.  
For connection to the left side of a manifold, connecting to flow and return rails.  
By-passed flow direction is from flow (red handle) to return (blue handle).

#### Differential Pressure By-pass Kit



Description	Pcs/Pack	Code
1"	1	01306174

For Topway pre-assembled manifolds.  
For connection to the right-hand side of a manifold, connecting to flow and return rails.  
For this configuration, the flow is on the bottom connection and the return on the top connection. It can easily be reversed on site.  
Differential pressure by-pass valve from 0.2 to 0.5 bar.

**Pressure Gauge with Radial Connection**


Description	Size	Pcs/Pack	Code
1/4" x 50 mm	4 bar	1	00612452
1/4" x 50 mm	6 bar	1	00616024
1/4" x 63 mm	2.5 bar	1	00612003
1/4" x 63 mm	4 bar	1	00612004
1/4" x 63 mm	6 bar	1	00612006
1/4" x 63 mm	10 bar	1	00612010
1/4" x 63 mm	16 bar	1	00612016
1/4" x 63 mm	25 bar	1	00612025
3/8" x 80 mm	4 bar	1	00614004
3/8" x 80 mm	6 bar	1	00614006
3/8" x 80 mm	10 bar	1	00614010
3/8" x 80 mm	16 bar	1	00614016
3/8" x 80 mm	25 bar	1	00614025

**Pressure Gauge with Axial Connection**


Description	Size	Pcs/Pack	Code
1/4" x 50 mm	4 bar	1	00616020
1/4" x 50 mm	10 bar	1	00612442
1/4" x 63 mm	4 bar	1	00616004
1/4" x 63 mm	6 bar	1	00616006
1/4" x 63 mm	10 bar	1	00616010

Casing in ABS plastic. For use with 01306458 tee piece.

**Combined Temperature and Pressure Gauge**


Description	Pcs/Pack	Code
1/4" M c/w 1/2" M Check Valve x 80 mm		
Axial Connection	1	00600012
Radial Connection	1	00602012

Max: Pressure 4 bar, temperature 120 °C.

**Tee with Pipe Union for Pressure Gauges**


Description	Pcs/Pack	Code
1/2" M-F x 1/4"	1	01306458

Designed to be fitted to a 1/2" manifold tapping, it has a pre-assembled 1/2" x 1/4" reducer to provide connection of a pressure gauge, complete with gauge sealing gasket.

The 1/2" M BSP connection to manifold includes an o-ring seal and locking ring, for orientation.

The 1/2" F BSP connection allows a manual 00410021 (page 66) or automatic air vent 00400004 (page 66) to be connected.

**Topway Circuit Indicator Pack with 12 Red Bands**


Description	Pcs/Pack	Code
1" - 1 1/4"	1	01306320

With labels for identifying circuits. To lock Topway flow meter.

## Manifold Spares and Accessories (continued)

### Topway Lockshield with Incorporated Flow Meter 0-4 L/min



Description	Pcs/Pack	Code
<b>T2 Topway Manifolds</b>		
0-4 L/min. 1/2" MBSP Metal Threaded	1	01306302
<b>T2 Topway Plus Manifolds</b>		
0-4 L/min. 1/2" MBSP Metal Threaded	1	01306810

Double regulating, allows for isolation of circuits as well as visual flow regulation. This does not include Topway lockshield/flowmeter seat. To order a lockshield/flowmeter seat refer to code 01306312 or 01306316 for T2 Topway or code 01306812 for T2 Topway Plus.

### Topway Lockshield



Description	Pcs/Pack	Code
1/2" MBSP Metal Threaded	1	01306300

Replacement manifold lockshield assembly. Can be used to change flowmeters to lockshields.

### Topway Flow Meter Only



Description	Pcs/Pack	Code
0-2.5 L/min	1	01306828
0-4 L/min	1	01306830
0-6 L/min	1	01306832

For direct replacement of dirty flowmeters or to upgrade from a lockshield kit. Offers the same functionality as a lockshield with the additional feature of a visual flow rate. Code 01306830 0-4 L/min is a direct replacement for Topway Type 2 standard supply.

### Topway Lockshield/Flow Meter Seat



Description	Connection	Pcs/Pack	Code
<b>T2 Topway Manifolds</b>			
For 1" Manifolds	1/2" MBSP - 24 x 19	1	01306312
For 1 1/4" Manifolds	1/2" MBSP - 24 x 19	1	01306316
<b>T2 Topway Plus Manifolds</b>			
For 1" Manifolds	1/2" MBSP - 24 x 19	1	01306812

### Topway Thermostatic Replacement Kit



Description	Connection	Pcs/Pack	Code
<b>T2 Topway Manifolds</b>			
For 1" Manifolds	1/2" MBSP - 24 x 19	1	01306114
For 1 1/4" Manifolds	1/2" MBSP - 24 x 19	1	01306118
<b>T2 Topway Plus Manifolds</b>			
For 1" Manifolds	1/2" MBSP - 24 x 19	1	01306816

**Manifold Spares and Accessories** (continued)

Topway Blue Cap for Electro-thermic Valves



Description	Pcs/Pack	Code
Electro-thermic Valve Cap	1	90004470

NOTE: This should only be used temporarily until the electro-thermic head is installed. For permanent capping, use code 01306112 below.

Topway Hand Wheel for Manual Control



Description	Pcs/Pack	Code
Manual Electro-thermic Valve Head	1	01306112

For use where no electro-thermic head is to be used, but manual control is required.

Topway Red Cap for Lockshield Valves



Description	Pcs/Pack	Code
Replacement Lockshield Cap	1	90023360

Tecno-Varia Auto Air Vent



Description	Pcs/Pack	Code
<b>T2 Topway Manifolds</b>		
1/2" Standard	1	00400004
3/8" Reduced + bb*	1	00400000
3/8" Standard + bb*	1	00400002
<b>T2 Topway Plus Manifolds</b>		
1/2"	1	00400020

Combines manual and automatic venting functions. With both manual and automatic venting, the manual cap on top allows manual venting for system commissioning.  
\*bubble-breaker.

Manual Bleed Valve and Manual Air Vent



Description	Pcs/Pack	Code
3/8" Manual Air Vent - Vent Key	1	00410019
1/2" Manual Air Vent - Vent Key	1	00410021

**Manifold Spares and Accessories** (continued)

1" end T-piece nut and o-Ring



Description	Pcs/Pack	Code
<b>T2 Topway Manifolds</b>		
1" M x 1/2" F BSP x 1/2" F BSP	2	01306298
<b>T2 Topway Plus Manifolds</b>		
1" M x 1/2" F BSP x 1/2" F BSP	2	01306854

With 1/2" female connections for manual or automatic air vent, drain/fill valves, pressure gauges or temperature/pressure gauges. The 1" M connection to the manifold is complete with an O-ring sealing face and locking nut for easy orientation.

Drain/Fill Valve, Nickel-plated



Description	Pcs/Pack	Code
<b>T2 Topway Manifolds</b>		
1/2"	1	90011790
<b>T2 Topway Plus Manifolds</b>		
1/2"	1	01306824

1/2" M connection with 3/4" hose connection. Allows easy pipe connection with 360° orientation.

Temperature Gauge Ø 40



Description	Pcs/Pack	Code
0-80°C	1	90006860

For installation into a 1/2" manifold tapping, use 1/2" temperature gauge pocket, code 90026530 and o-ring pocket seal code 90047400.





# CONTROLS

## Solutions



EMMETI can offer an extensive range of Controls Solutions to complement underfloor heating and radiator heating manifold solutions. Ranging from basic thermostats through to the ZONA Smart Thermostat, energy efficiency can be maximised with individual room temperature control.

# CONTROLS

## Zone Controls - Hard-wired



At EMMETI we offer a wide range of hard-wired zone controls in order to build a comfortable indoor environment. These controls enable full electrical control of the heating system when used with our Type 2 or Type 3 manifolds.

The EMMETI zone control range includes a selection of wiring centres and thermostats to control temperature such as the ZONA™ smart thermostats, programmable thermostats and dial operated types. Many of these also have remote sensor options enabling them to be used safely to control bathrooms.

This zonal approach allows the home owner or building occupier to tailor their heat to suit their lifestyles. The use of a thermostat per room/zone makes it much easier to create ideal comfort levels and prevents the unnecessary heating of unoccupied rooms thus improving the energy efficiency of the building.

### Wiring Centres

#### EWC-1 Hard Wired Wiring Centres with On/Off Switch



Description	Pcs/Pack	Code
230 V 8-way Wiring Centre with On/Off Switch	1	U9360040
24 V 8-way Wiring Centre with On/Off Switch	1	U9360030

The EWC-1 wiring centre allows central connection of all system electrical components (230 or 24 V) including:

- Up to 8 room thermostats
- Manifold circulating pump
- Central timeswitch
- Electro-thermic actuators (up to 5 per channel)
- Boiler signal

LED indication for each circuit, pump and boiler. On/off switch for safe isolation. Earth continuity terminals included. 24 V version includes a 50 VA transformer with the capacity to connect up to 15 x 3 W actuators. For wiring and mounting details please see our website [www.emmeti.co.uk](http://www.emmeti.co.uk)

#### EWC-2 Hard Wired Wiring Centres



Description	Pcs/Pack	Code
230 V 8-way Wiring Centre	1	U9370003
230 V 12-way Wiring Centre	1	U9370005

The EWC-2 wiring centre is a more commercially priced option available in 8 or 12-way. Allows central connection of all system electrical components (230 V only) including:

- Up to 8 or 12 room thermostats
- Manifold circulating pump
- Central timeswitch
- Electro-thermic actuators (up to 5 per channel)
- Boiler signal

LED indication for pump/boiler combined. Earth continuity terminals included. For wiring and mounting details please see our website [www.emmeti.co.uk](http://www.emmeti.co.uk)

**EWC-4 Hard Wired Wiring Centres**



Description	Pcs/Pack	Code
230 V 4-way Wiring Centre	1	U9380004

The EWC-4 is a compact, 4-way wiring centre designed for small underfloor and wall hung radiator systems. Allows central connection of all system components and includes:

- Connection for up to 4 room thermostats
- Central timeswitch terminals
- Manifold circulating pump terminals
- Boiler volt free terminals
- Electro-thermic actuator connection (up to 3 per channel)
- LED indication for boiler/pump operation.

**Thermostats**

**NEW**

**ZONA™ - Smart Thermostat**

Single Zone

**1**  
ErP Class  
+1%



**zona™**

Description	Pcs/Pack	Code
ZONA™ Smart Thermostat - White	1	U9330002
ZONA™ Smart Thermostat - Black	1	U9330003

A 230 V wired thermostat with wifi functionality for use in all heating system types. Controlled via the ZONA™ APP or via the thermostat interface, the ZONA™ smart thermostat allows remote control and monitoring of the heating system.

Featuring GEO-location and optimum start for increased efficiency of the heating system the ZONA™ range is fully Boiler Plus compliant and smart home enabled integrating simply with Amazon Alexa and Google Assistant.

For more information on our **NEW ZONA™ Smart Thermostat**, please see page 2.



**CS-17 Touch - Touchscreen Programmable Thermostat**

Single Zone

**1**  
ErP Class  
+1%



Description	Pcs/Pack	Code
230 V Touchscreen Programmable Thermostat	1	U9320002

A touchscreen programmable thermostat for underfloor and wall hung radiator systems. Features include touch screen operation, remote sensing for air and floor use, temperature limiting function, frost protection and optimum start.

**CS-11 LCD Digital Timeswitch**



Description	Pcs/Pack	Code
230 V Timeswitch	1	U9310072
24 V Timeswitch	1	U9310171

Electronic digital single channel timeswitch enables the time control of underfloor or wall hung radiator circuits. Programming allows 6 on/off events per day as 7 day, 5 + 2, 6 + 1 and 24 hour programmes. Designed to be fitted to a 35 mm single gang back box. 230 V or 24 V versions available.

For installation requirements and wiring connections, please see our website [www.emmeti.co.uk](http://www.emmeti.co.uk)

## Thermostats (continued)

## Termec Electromechanical Dial Operated Room Thermostat

Single Zone



Description	Pcs/Pack	Code
230 V / 24 V 3 Contact	1	02001012
230 V 3 Contact with LED	1	02001014

Features include: LED calling for heat light, temperature range 5 °C to 30 °C, temperature differential 1.4 °C, on/off and heating/cooling switch options.

## Electromechanical Dial Operated Room Thermostat

Single Zone



Description	Pcs/Pack	Code
230 V / 24 V 3 Contact	1	U9132106
230 V 3 Contact with LED	1	U9132115
230 V 3 Contact with LED & On/Off Switch	1	U9132120
230 V 3 Contact with LED & Heating/Cooling Switch	1	U9132135

Features include: LED calling for heat light, on/off and heating/cooling switch options. The U9132105 model may also be used for 24 V applications.

## Electronic Dial Operated Room Thermostat

Single Zone



Description	Pcs/Pack	Code
230 V 3 Contact with LED and Night Setback (NSB) Operation	1	U9132030
24 V 3 Contact with LED and Night Setback (NSB) Operation	1	U9132019

Electronic dial operated thermostat with changeover contacts available in 230 V and 24 V versions. LED provides call for heat indicator. U9132026 and U9132027 include variable night setback operation from 2 °C to 7 °C (default 4.5 °C) when used with a suitable timeswitch. Available with remote sensor options shown on page 69.

## Tamperproof Room Thermostat

Single Zone



Description	Pcs/Pack	Code
230 V 3 Contact with LED and Night Setback (NSB) Operation	1	U9132077
24 V 3 Contact with LED and Night Setback (NSB) Operation	1	U9132086

Electronic thermostat with concealed dial adjustment available in 230 V and 24 V versions. Both models include variable night setback (NSB) operation from 2 °C to 7 °C (default 4.5 °C) when used with a suitable timeswitch.

## Thermostats (continued)

### Remote Sensors, Concealed and Wall-mounted Types

U9132011 /  
U9250060 /  
U9310057



U9132012 /  
U9132023

Description	Pcs/Pack	Code
Remote Sensor NTC 4.7 K without Casing, 1.5 m Length	1	U9132011
Remote Sensor NTC 4.7 K without Casing, 3 m Length	1	U9250060
Remote Sensor NTC 4.7 K with Casing, No Lead	1	U9132012
Remote Sensor 10 K with Casing, No Lead	1	U9132023
Remote Sensor NTC 10K without Casing, 3 m Length	1	U9310057

Please see below compatibility table for use with EMMETI thermostats.

Description	Code	Suitable for	Code
Remote NTC 4.7 K Sensor with Casing, No Lead	U9132012	Electronic Dial Room Thermostat 24 V with LED	U9132013/U9132027
Remote NTC 4.7 K Sensor without Casing, 1.5 m Lead	U9132011	Electronic Dial Room Thermostat 230 V with LED	U9132016/U9132026
Remote NTC 4.7 K Sensor without Casing, 3 m Length	U9250060	Tamperproof Room Thermostat 230 V	U9132075/U9132076
		Tamperproof Room Thermostat 24 V	U9132085
Remote NTC 10 K Sensor with Casing, No Lead	U9132023	CS-11, TST-11 and CS-17 Thermostat Range	U9310090/U9310190
Remote NTC 10 K Sensor without Casing, 3 m Length	U9310057	ZONA™ Smart Thermostat	U9310047/U9310140
			U9310010/U9310110
			U9320001/U9330000
			U9330001

### Sensor Pocket



Description	Pcs/Pack	Code
Brass Sensor Pocket 6mm dia x 33 mm	1	U9132310

Brass sensor pocket with a 1/2" BSPM thread. For remote sensors U9132011 and U9250060.

### Over Temperature Thermostat



Description	Pcs/Pack	Code
Low 20-40 °C	1	U9132330
High 40-70 °C	1	U9132340

To be installed as a safety device on the manifold in case of temperature control malfunction.

### Contact Thermostat



Description	Pcs/Pack	Code
0-60 °C	1	02012038

Connect by wrapping the steel spring wire (provided) around the external surface of pipe.

# CONTROLS

## Zone Controls - Wireless



At EMMETI we offer a range of wireless zone controls in order to build a comfortable indoor environment. These controls enable full electrical control of the heating system when used with our Type 2 or Type 3 manifolds.

The EMMETI wireless zone control range includes a selection of wiring centres and programmable, digital or dial operated thermostats to control temperature. These thermostats can be used safely to control bathrooms.

This zonal approach allows the home owner or building occupier to tailor their heat to suit their lifestyles. The use of a thermostat per room/zone makes it much easier to create ideal comfort levels and prevents the unnecessary heating of unoccupied rooms thus improving the energy efficiency of the building.

### Wiring Centres

#### N MC8 W 8-channel Wiring Centre



Description	Pcs/Pack	Code
8-channel Wiring Centre	1	02018120

230 V wiring centre with eight independent channels (and auxiliary pump supply relay) which can be assigned to two different wireless thermostat controls (e.g. the N CTA W, N ETA W or N TA W above) for the activation of electro-thermic actuators when used with the N AR W receiving antenna on page 71. The centre also has the facility for night setback (NSB) operation with a N TA W thermostat. For installation, wiring and commissioning please see our website [www.emmeti.co.uk](http://www.emmeti.co.uk)

#### N R1 W 1-channel Wiring Centre and Receiver



Description	Pcs/Pack	Code
Wireless Single Channel Receiver	1	U9132165

A 230 V combined single channel wiring centre and receiving antenna. Designed to switch electro-thermic heads or circulators up to a maximum rating of 6 A. Suitable for a single channel application using any one of our range of wireless thermostats, N TA W, N ETA W or N CTA W.



## Thermostats

### N CTA W Programmable Thermostat



Description	Pcs/Pack	Code
Wireless Programmable Thermostat	1	02018110

Battery powered wireless electronic programmable thermostat with push-button programming, and large backlit LCD screen with programme and temperature/optional current time display. The unit can be programmed to give either 24 hour/7 day operation with up to four programme periods a day. The front flap gives access to battery compartment and two dial operated temperature settings for day/night operation. Other features include anti-frost function, combined air and floor sensor function and holiday mode.

### N TA W Thermostat



Description	Pcs/Pack	Code
Wireless Dial Thermostat	1	02018112

Battery powered wireless dial operated electronic thermostat, that can be operated to control heating or cooling with a simple internal change. The remotely located thermostat will signal the N AR W receivers connected to the U9132165 Wiring Centre and 02018120 Wiring Centre. Night set back (NSB) facility is available via the wiring centre.

### N ETA W Digital Wireless Thermostat



Description	Pcs/Pack	Code
Wireless Digital Thermostat	1	U9132155

Wireless battery operated digital thermostat with blue back-lit LCD display. This unit can operate to control both heating and cooling and has temperature range limitation. The remotely located thermostat will signal the N AR W receivers connected to the U9132165 Wiring Centre and 02018120 Wiring Centre. Night set back (NSB) facility is available via the wiring centre. Available with remote sensor options on page 73.

### N AR W Receiving Antenna



Description	Pcs/Pack	Code
Wireless Receiver	1	U9132175

Wireless receiving antenna. Receives signalling from N TA W, N ETA W and N CTA W thermostats remotely located. Complete with 5 m of cable for connecting to N MC2 W or N MC8 W wiring centres. One antenna can be used with up to ten wiring centres interconnected by the cables supplied with the wiring centre. They can also be used as repeaters to solve problems of difficult wireless transmission in large buildings. The power supply unit in this section should be used with the antenna when installed as a repeater.

# CONTROLS

## Manifold Actuators



EMMETI Control T Electro-thermic actuators are designed to fit on the Emmeti Type 2 or Type 3 manifolds and when used in conjunction with the EMMETI control range, provide a zonal approach allowing the home owner or building occupier to tailor their heat to suit their lifestyles.

The use of a thermostat per room/zone makes it much easier to create ideal comfort levels and prevents the unnecessary heating of unoccupied rooms thus improving the energy efficiency of the building.

### Manifold Actuators

#### Control T - Electro-thermic Head



Description	Pcs/Pack	Code
<b>Normally Closed</b>		
230 V NC	1	01213242
24 V NC	1	01213202
<b>Normally Open</b>		
230 V NO	1	01213280
24 V NO	1	01213260

Note: The electro-thermic heads can be used in conjunction with: Topway Type 2, FCU-HE and FMU3 Floor Mixing Unit. Supplied with 1m cable, 2 wires.

#### Control T - Electro-thermic Head Normally Closed with End Switch (4 A 230 V)



Description	Pcs/Pack	Code
230 V with Micro Switch NC	1	01213252
24 V with Micro Switch NC	1	01213212

Note: The electro-thermic heads can be used in conjunction with: Topway Type 2, FCU-HE and FMU3 Floor Mixing Unit. Supplied with 1m cable, 4 wires. The two additional cores are connected to an auxiliary switch, which allows an external load to be energised on operation of the head.

#### Adaptor for Control T Electro-thermic Heads



Description	Pcs/Pack	Code
Spacing Disc 9 mm Dia. x 1mm Thick	12	90039364

To be fitted to electro-thermic heads in order to give additional travel when fitted to non-EMMETI manifolds.

EMMETI motorised ball valves complete the range of EMMETI controls by offering the ability to provide electronic circuit shutoff or bypass for the primary supply to heating zones.

# CONTROLS

## Motorised Ball Valves

### Motorised Ball Valves

These motorised ball valves are available as two port zone valves or three port diverter valves. They are 'motor open' and 'motor close' valves and cannot be used as mid-position or mixing valves.



#### IP 55

If installed as shown in this image the actuator will be protected against limited dust ingress and small jets of water from all direction.



#### IP 50

If installed as shown in these images the actuator will remain protected against limited dust ingress but will have no protection against water ingress. (Not recommended)

### Modulo Compact 230V 2-way with Pipe Union Connection Nut and Tailpiece



Description	Ways	Pcs/Pack	Code
1/2"	2	1	01425800
3/4"	2	1	01425802
1"	2	1	01425804

### Modulo Compact 230V 2-way with Female-Female Thread



Description	Ways	Pcs/Pack	Code
1/2"	2	1	01425820
3/4"	2	1	01425822
1"	2	1	01425824

### Modulo Compact 230V 3-way Diverter with Pipe Union Connection Nut and Tailpiece



Description	Ways	Pcs/Pack	Code
1/2"	3	1	01425806
3/4"	3	1	01425808
1"	3	1	01425810

Cannot be used as a mid-position or mixing valve.

### Modulo Compact 230V 3-way Diverter with Female-Female Thread



Description	Ways	Pcs/Pack	Code
1/2"	3	1	01425826
3/4"	3	1	01425828
1"	3	1	01425830

Cannot be used as a mid-position or mixing valve.

## Motorised Ball Valves (continued)

### Modulo Plus 230V 2-way with Pipe Union Connection Nut and Tailpiece



Description	Ways	Pcs/Pack	Code
1¼"	2	1	01425700
1½"	2	1	01425702
2"	2	1	01425704

### Modulo Plus 230V 3-way Diverter with Pipe Union Connection Nut and Tailpiece



Description	Ways	Pcs/Pack	Code
1¼"	3	1	01425710
1½"	3	1	01425712
2"	3	1	01425714

Cannot be used as a mid-position or mixing valve.

### Modulo Plus 230V 2-way with Female-Female Thread



Description	Ways	Pcs/Pack	Code
1¼"	2	1	01425730
1½"	2	1	01425732
2"	2	1	01425734

### Modulo Plus 230V 3-way Diverter with Female-Female Thread



Description	Ways	Pcs/Pack	Code
1¼"	3	1	01425740
1½"	3	1	01425742
2"	3	1	01425744

Cannot be used as a mid-position or mixing valve.

### Actuator for Modulo Compact



Description	Pcs/Pack	Code
2-way - 230 V. 8 Nm	1	01425860
3-way - 230 V. 8 Nm	1	01425862
4-way - 230 V. 8 Nm	1	01425864

Suitable for valve bodies up to 1".

### Actuator for Modulo Plus



Description	Pcs/Pack	Code
2-way - 230 V. 28 Nm	1	01420170
3-way - 230 V. 28 Nm	1	01420172

## Motorised Ball Valves (continued)

### Body for Modulo Compact and Modulo Plus 2-way with Pipe Union Connection Nut and Tailpiece



Description	Ways	Pcs/Pack	Code
1/2"	2	1	90021400
3/4"	2	1	90021410
1"	2	1	90021420
1 1/4"	2	1	90021430
1 1/2"	2	1	90021440
2"	2	1	90021450

1/2" - 1" suitable for Modulo Compact. 1 1/4" - 2" suitable for Modulo Plus.

### Body for Modulo Compact and Modulo Plus 3-way Diverter with Pipe Union Connection Nut and Tailpiece



Description	Ways	Pcs/Pack	Code
1/2"	3	1	90021320
3/4"	3	1	90021460
1"	3	1	90021470
1 1/4"	3	1	90021480
1 1/2"	3	1	90021490
2"	3	1	90021500

1/2" - 1" suitable for Modulo Compact. 1 1/4" - 2" suitable for Modulo Plus.

### Body for Modulo Compact and Modulo Plus 2-way with Female-Female Thread



Description	Ways	Pcs/Pack	Code
1/2"	2	1	90021200
3/4"	2	1	90021210
1"	2	1	90021220
1 1/4"	2	1	90021230
1 1/2"	2	1	90021240
2"	2	1	90021250

1/2" - 1" suitable for Modulo Compact. 1 1/4" - 2" suitable for Modulo Plus.

### Body for Modulo Compact and Modulo Plus 3-way Diverter with Female-Female Thread



Description	Ways	Pcs/Pack	Code
1/2"	3	1	90021310
3/4"	3	1	90021260
1"	3	1	90021270
1 1/4"	3	1	90021280
1 1/2"	3	1	90021290
2"	3	1	90021300

1/2" - 1" suitable for Modulo Compact. 1 1/4" - 2" suitable for Modulo Plus.

### Insulating Shells for Modulo Compact and Modulo Plus Bodies and Actuator



Description	Pcs/Pack	Code
For Ball Valve 2-way 1/2"	1	90045150
For Ball Valve 2-way 3/4"	1	90045160
For Ball Valve 2-way 1"	1	90045170
For Ball Valve 3-way 1/2"	1	90045210
For Ball Valve 3-way 3/4"	1	90045220
For Ball Valve 3-way 1"	1	90045230
For Ball Valve 2-way 1 1/4"	1	90045180
For Ball Valve 2-way 1 1/2"	1	90045190
For Ball Valve 2-way 2"	1	90045200
For Ball Valve 3-way 1 1/4"	1	90045240
For Ball Valve 3-way 1 1/2"	1	90045250
For Ball Valve 3-way 2"	1	90045260
For Modulo Compact Motorised Valve Actuator	1	90045270

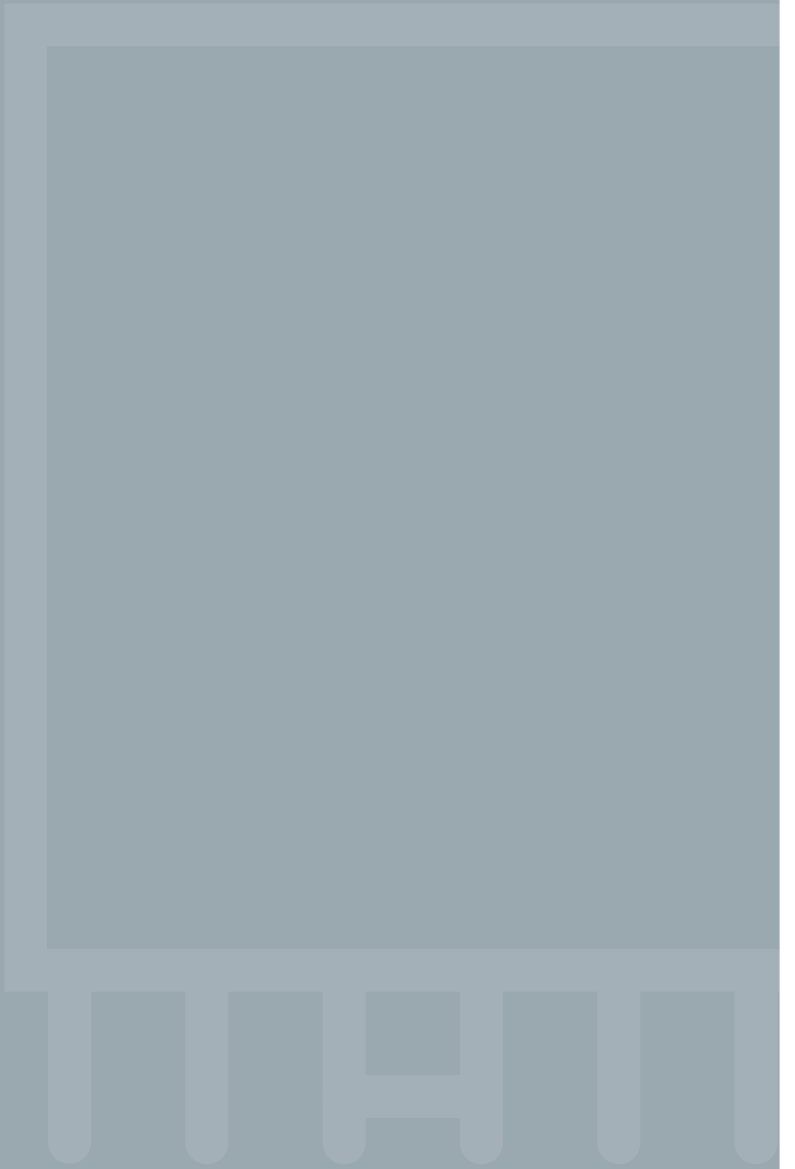
1/2" - 1" suitable for Modulo Compact Valves. 1 1/4" - 2" suitable for Modulo Plus Valves.





# SYSTEM

## Components and Accessories



EMMETI offer a range of System Components and Accessories for use across plumbing and heating systems, including Heat Interface Units (HIU's) and supporting accessories, expansion vessels, sealed system components and a wide range of ball valves and fittings.

# SYSTEM

## Components & Accessories



EMMETI offer a range of System Components and Accessories for use across plumbing and heating systems, including Heat Interface Units (HIU's) and supporting accessories, expansion vessels, sealed system components and a wide range of ball valves and fittings.



### Sealed System Components (Heating)

#### Sealed System Kit



Description	Pcs/Pack	Code
With Expansion Vessel Bracket	1	01306406
Without Expansion Vessel Bracket	1	01306408

Kit consists of: 15 mm compression filling loop, c/w with a double check valve with integrated mini ball valve, 40 cm aluminium braided EPDM hose and second mini ball valve; 3 bar safety valve; 0-4 bar pressure gauge and 4-way connector.

#### Expansion Vessel Sealed System Kit



Description	Pcs/Pack	Code
6 Litres	1	00103006
8 Litres	1	00103008
10 Litres	1	00103010
12 Litres	1	00103012
18 Litres	1	00103018
24 Litres	1	00103024

Vessels up to 24 litres should be used with the sealed system kit 01306406 above. The bracket provided in the kit will support the vessel and control kit. All models made according to 97/23/EC Directive.

## Sealed System Components (Heating) (continued)

### Expansion Vessel Sealed System Kit without Support Bracket



Description	Pcs/Pack	Code
35 Litres (No Support)	1	00102400
50 Litres (No Support)	1	00102405

All models made according to 97/23/EC Directive.

### Expansion Vessel Sealed System Kit with Integrated Support



Description	Pcs/Pack	Code
35 Litres	1	00102500
50 Litres	1	00102505
80 Litres	1	00102410
100 Litres	1	00102415
150 Litres	1	00102420
200 Litres	1	00102425
250 Litres	1	00102430
300 Litres	1	00102435

These vessels are provided with an integrated base support ring, floor standing, to carry the weight of a full vessel. All models made according to 97/23/EC Directive.

### Filling Loop



Description	Pcs/Pack	Code
15 mm	1	90023880

15 mm copper compression filling loop, c/w double check valve, with integrated mini ball valve, 40 cm aluminium braided EPDM hose and second mini ball valve.

### Pressure Gauge with Axial Connection



Description	Pressure	Pcs/Pack	Code
1/4" x 50 mm	4 bar	1	00616020

### Heating Vessel Bracket



Description	Pcs/Pack	Code
Heating Vessel Bracket	1	90023900

Supplied with screw and rawlplug kit.  
Suitable for vessels up to 24L only.

## Expansion Vessels for Potable Water Applications

### Potable Expansion Vessel Suitable for Sanitary Application



Description	Colour	Pcs/Pack	Code
0.16 Litres	Grey	1	01062012

Designed to prevent water hammer in systems connected to a mains water supply.

Max working pressure 20 bar  
 Standard pre set pressure 3.5 bar  
 Working temperature -10 °C +100 °C  
 Body material 304 L stainless steel  
 Membrane EPDM  
 Connection ½" MBSP  
 Certified 97/23/EC.

### Potable Expansion Vessel Suitable for Sanitary Application



Description	Colour	Pcs/Pack	Code
2 Litres	Grey	1	00800002
5 Litres	Grey	1	00800005
8 Litres	Grey	1	00800008
12 Litres	Grey	1	00800012
18 Litres	Grey	1	00800019
24 Litres	Grey	1	00800021

Designed to absorb the expansion of heated water in a potable water system.

Max working pressure 10 bar  
 Standard pre set pressure 2.5 bar (3.5 bar for 2 L and 5 L sizes)  
 Working temperature -10°C +100 °C  
 Membrane butyl rubber up to 12 L, EPDM 18 L - 24 L  
 Connection ¾" MBSP (½" for 2 L size)  
 Certified 97/23/EC.

### Potable Expansion Vessel Bracket



Description	Pcs/Pack	Code
Expansion Vessel Bracket	1	01306436

Suitable for all vessels up to 24 litres (260 mm dia), with connection size ¾" and 1" MBSP.

## Expansion Vessels for Potable Water Applications (continued)

### Potable Expansion Vessel Suitable for Sanitary Application



Description	Colour	Pcs/Pack	Code
35 Litres	Blue	1	00800590
50 Litres	Blue	1	00800600
60 Litres	Blue	1	00800605
80 Litres	Blue	1	00800610
100 Litres	Blue	1	00800615
150 Litres	Blue	1	00800620
200 Litres	Blue	1	00800625
300 Litres	Blue	1	00800630

Designed to absorb the expansion of heated water in a potable water system. Vessels are supplied with supporting feet.

Max working pressure 10 bar  
 Standard pre set pressure 1.5 bar for 35 L - 80 L sizes  
 2.5 bar for 100 L - 300 L sizes  
 Working temperature -10°C +100 °C  
 Membrane EPDM  
 Connection 1" MBSP 35 L - 150 L sizes, 1¼" MBSP 200 L - 300 L sizes  
 Certified 97/23/EC.

### Potable Expansion Vessel Suitable for Sanitary Application



Description	Colour	Pcs/Pack	Code
750 Litres	Blue	1	00800645
1000 Litres	Blue	1	00800650
1500 Litres	Blue	1	00800655
2000 Litres	White	1	00800660
3000 Litres	White	1	00800670
5000 Litres	White	1	00800680

Designed to absorb the expansion of heated water in a potable water system. Vessels are supplied with supporting feet.

Max working pressure 10 bar  
 Standard pre set pressure 2.5 bar  
 Working temperature -10 °C +50 °C  
 Membrane EPDM 750 L - 1500 L sizes  
 Butyl rubber 2000 L - 5000 L sizes  
 Connection 2" MBSP 750 L size, 2½" MBSP 1000 L - 1500 L sizes  
 DN65 2000 L - 5000 L sizes  
 Certified 97/23/EC.

### Top Dial Up Cold Water Pressure Reducer, Transparent Filter Inspection Cover



Description	Pcs/Pack	Code
¾" M-M Union*	1	28103452
1" M-M Union*	1	28103454

Simple dial up pressure setting design, with integrated serviceable filter, and a blanked off gauge port on either side. Comes complete with pipe union connectors.

Maximum upstream pressure 16 bar  
 Adjustable downstream pressure 1-6 bar  
 Maximum temperature 30 °C.

\*Available while stocks last.

## Low Loss Headers

### Open Manifold

28151040

28151042



Description	Pcs/Pack	Code
2½" - 2+2	1	28151040
2½" - 4+2	1	28151042

Supplied with 2 x swivel adaptors 1¼" M x 1" M (reducers), automatic air vent and drain/fill valve. Insulating shell available, see below.

### Open Manifold (Low Loss Header)



Description	Pcs/Pack	Code
2½" - 2+2	1	28151048

Supplied with 2 x swivel adaptors 1¼" M x 1" M, automatic air vents and drain/fill valve.

### Open Manifold 2+2 Off Set, Takeoff Firstbox



Description	Pcs/Pack	Code
3" 2+2+5 Off Set	1	07400284

Primary Connections: Female 1¼"  
 Secondary Connections: Female ½"  
 Max Operating Pressure: 8 bar  
 No insulating shell available

## Low Loss Headers (continued)

### Open Manifold



Description	Pcs/Pack	Code
3" 4+2+5	1	07400176

Primary Connections: Female 1"  
 Secondary Connections: Female 1/2"  
 Max Operating Pressure: 8 bar  
 No insulation shell available

### Insulating Shell for Firstbox Open Manifold



Description	Pcs/Pack	Code
Insulating Shell	1	01306512

To be used with 28151040 Open Manifold. For use with 28151042 drill additional holes with a cutter.  
 In mesh expanded closed cell polyethylene.

### Insulating Shell for Open Manifold



Description	Pcs/Pack	Code
2 1/2"	1	01306564

Insulating shell for use with code 28151048.



## General Ball Valves

### Straight Perfecta with Female-Female BSP Connection



Description	Handle	Pcs/Pack	Code
½" F x F	Red	1	8366R004
¾" F x F	Red	1	8366R005
1" F x F	Red	1	8366R006
1" F x F	Blue	1	8370R006
1¼" F x F	Red	1	8366R007

Aluminium butterfly handle.

### Straight Perfecta with Female-Male BSP Connection



Description	Handle	Pcs/Pack	Code
½" F x M	Red	1	8367R004
¾" F x M	Red	1	8367R005
1" F x M	Red	1	8367R006
1" F x M	Blue	1	8368R006
1¼" F x M	Red	1	8367R007

Aluminium butterfly handle.

### Straight Perfecta with Female-Male Pipe Union



Description	Handle	Pcs/Pack	Code
½" F x MU	Red	1	8373R004
¾" F x MU	Red	1	8373R005
1" F x MU	Red	1	8373R006
1" F x MU	Blue	1	8374R006
1¼" F x MU	Red	1	8373R007

Aluminium butterfly handle. Pipe union straight thread.

### Pair Straight Perfecta with Female-Male Pipe Union, Aluminium Butterfly Handle



Description	Pcs/Pack	Code
1" F x MU	1	9721R006
1" F x MU c/w Temperature Gauges	1	9720R006

Boxed as a pair, with red and blue handles. Parallel thread pipe union with o-ring sealing faces.

### Female-Male Pipe Union, Aluminium Lever Handle



Description	Pcs/Pack	Code
½" F x MU	1	80005013
¾" F x MU	1	80005035
1" F x MU	1	80005101
1¼" F x MU	1	80005115

## General Ball Valves (continued)

### Female-Female Connection, Aluminium Butterfly Handle



Description	Pcs/Pack	Code
3/8" F x F	1	80001039
1/2" F x F	1	80001013
3/4" F x F	1	80001035
1" F x F	1	80001101
1 1/4" F x F	1	80001115

### Female-Male Connection, Aluminium Butterfly Handle



Description	Pcs/Pack	Code
1/4" F x M	1	80004015
3/8" F x M	1	80004039
1/2" F x M	1	80004013
3/4" F x M	1	80004035
1" F x M	1	80004101
1 1/4" F x M	1	80004115

### Female-Male Pipe Union, Aluminium Butterfly Handle



Description	Pcs/Pack	Code
1/2" F x MU	1	80005012
3/4" F x MU	1	80005034
1" F x MU	1	80005100
1 1/4" F x MU	1	80005114

### Female-Male Connection, Steel Lever Handle with Plastic Sleeve



Description	Pcs/Pack	Code
1/4" F x M	1	80008514
3/8" F x M	1	80008538
1/2" F x M	1	80008512
3/4" F x M	1	80008534
1" F x M	1	80008600
1 1/4" F x M	1	80008614
1 1/2" F x M	1	80008612
2" F x M	1	80008700

Tapered thread.

### Right-Angle Female-Female Connection, Painted Aluminium Butterfly handle



Description	Pcs/Pack	Code
1/2" F x F	1	6770R104
3/4" F x F	1	6770R105
1" F x F	1	6770R106

## General Ball Valves (continued)

### Right-Angle Male Pipe Union-Female Connection, Painted Aluminium Butterfly Handle



Description	Pcs/Pack	Code
½" MU x F	1	6774R076
¾" MU x F	1	6774R080
1" MU x F	1	6774R084

### Right-Angle Male Pipe Union-Male Connection, Painted Aluminium Butterfly Handle



Description	Pcs/Pack	Code
½" MU x M	1	6775R076
¾" MU x M	1	6775R080
1" MU x M	1	6775R084

Tapered male thread.

### Aluminium Red Lever Handle



Description	Type	Pcs/Pack	Code
½" - ¾"	Perfecta	1	09008961
1" - 1¼"	Perfecta	1	09008962
1½" - 2"	Perfecta	1	09008963
½" - ¾"	Evolution/Progress	1	09008961
1" - 1¼"	Evolution/Progress	1	09008962
1½" - 2"	Evolution/Progress	1	09008963
2½" - 3"	Evolution/Progress	1	09008212
4"	Evolution/Progress	1	09008300
¾" - ½"	Lever Ball Taps	1	09008960
¾" - ½"	Lever Ball Taps	1	09008961
¾" - ½" - ¾" - 1"	Lever Ball Taps	1	09008961

### Aluminium Blue Lever Handle



Description	Type	Pcs/Pack	Code
¼" - a" - ½" - ¾"	Perfecta/Evolution	1	09008801
1" - 1¼"	Perfecta/Evolution	1	09008802
1½" - 2"	Perfecta/Evolution	1	09008803

### Steel Red Lever Handle



Description	Type	Pcs/Pack	Code
½" - ¾"	Perfecta	1	4315T004
1" - 1¼"	Perfecta	1	4315T006
1½" - 2"	Perfecta	1	4315T008
¼" - a" - ½" - ¾"	Evolution	1	4315T004
1" - 1¼"	Evolution	1	4315T006
1½" - 2"	Evolution	1	4315T008

### Steel Red Lever Handle



Description	Type	Pcs/Pack	Code
15 - 22	Evolution Comp	1	09008670

## General Ball Valves (continued)

### Aluminium Red Butterfly Handle



Description	Type	Pcs/Pack	Code
½" - ¾"	Perfecta	1	09008216
1" - 1¼"	Perfecta	1	09008226
¾" - ½"	Lever Ball Taps	1	09008200
¾" - 1"	Lever Ball Taps	1	09008216
¾" - ½" - ¾" - 1"	Lever Ball Taps	1	09008216

### Aluminium Red Butterfly Handle



Description	Type	Pcs/Pack	Code
15 - 22	Evolution Comp	1	09008255

### Aluminium Blue Butterfly Handle



Description	Type	Pcs/Pack	Code
¼" - a" - ½" - ¾"	Evolution	1	09008210
1" - 1¼"	Evolution	1	09008220

## Threaded Fittings

### Elbow Joint Female BSP-Male With Flange, Nickel-plated

WRAS Approved



Description	Thread	Pcs/Pack	Code
½" F BSP	24 x 19	1	28103300

### Elbow Joint Male-Female BSP, Nickel-plated

WRAS Approved



Description	Thread	Pcs/Pack	Code
½" F BSP	24 x 19	1	28103100
¾" F BSP	24 x 19	1	28103110
¾" F BSP	32 x 1.5	1	28103120
1" F BSP	32 x 1.5	1	28103130

### Elbow Joint Male-Male BSP, Nickel-plated

WRAS Approved



Description	Thread	Pcs/Pack	Code
½" M BSP	24 x 19	1	28103140
¾" M BSP	24 x 19	1	28103150
¾" M BSP	32 x 1.5	1	28103160
1" M BSP	32 x 1.5	1	28103170

## Threaded Fittings (continued)

## Elbow Joint Male-Male, Nickel-plated

WRAS Approved



Description	Thread	Pcs/Pack	Code
24 x 19	24 x 19	1	28103180
32 x 1.5	32 x 1.5	1	28103190

## Straight Joint Male-Female BSP, Nickel-plated

WRAS Approved



Description	Thread	Pcs/Pack	Code
½" F BSP	24 x 19	1	28103000
¾" F BSP	24 x 19	1	28103010
¾" F BSP	32 x 1.5	1	28103020
1" F BSP	32 x 1.5	1	28103030

## Straight Joint Male-Male, Nickel-plated

WRAS Approved



Description	Thread	Pcs/Pack	Code
½" M BSP	24 x 19	1	28103040
¾" M BSP	24 x 19	1	28103050
¾" M BSP	32 x 1.5	1	28103060
1" M BSP	32 x 1.5	1	28103070

## Straight Joint Male-Male, Nickel-plated (Repair Kit)

WRAS Approved



Description	Thread	Pcs/Pack	Code
24 x 19	24 x 19	1	28103080
32 x 1.5	32 x 1.5	1	28103090

A straight connector, can be used as a repair kit in case of damaged pipe by using two connectors and 4 correct pipe size Monobloccos.

## Tee Joint Male-Male-Female BSP, Nickel-plated

WRAS Approved



Description	Thread	Pcs/Pack	Code
½" F BSP	24 x 19	1	28103200
¾" F BSP	24 x 19	1	28103210

## Tee Joint Male-Male-Male BSP, Nickel-plated

WRAS Approved



Description	Thread	Pcs/Pack	Code
½" M BSP	24 x 19	1	28103240
¾" M BSP	24 x 19	1	28103250
¾" M BSP	32 x 1.5	1	28103260

### Tee Joint Male-Male-Male, Nickel-plated

WRAS Approved



Description	Thread	Pcs/Pack	Code
24 x 19	24 x 19	1	28103280

## System Accessories

### Sicura Pressure Relief Valves



Description	Pressure	Pcs/Pack	Code
½" F-F	3 bar	1	00205030
½" M-F	3 bar	1	00206030
½" F-F	6 bar	1	00205060
½" M-F	6 bar	1	00206060
¾" F-F	3 bar	1	00202334
¾" F-F	6 bar	1	00202634

### Sicura Pressure Relief Valves with Special Pressure Settings



Description	Pressure	Pcs/Pack	Code
½" F-F	1.5 bar	1	00205015
½" F-F	1.8 bar	1	00205018
½" F-F	2 bar	1	00205020
½" M-F	2 bar	1	00206020
½" F-F	2.5 bar	1	00205025
½" F-F	4 bar	1	00205035
½" M-F	4 bar	1	00206040

### Sicura Pressure Relief Valves with Gauge Fitting ¼"



Description	Pressure	Pcs/Pack	Code
½" F-F	3 bar	1	00206080
½" F-F	6 bar	1	00206082
½" M-F	3 bar	1	00206090
½" M-F	6 bar	1	00206092

### Sicura Pressure Relief Valves with Pressure Gauge



Description	Pressure	Pcs/Pack	Code
½" F-F	3 bar	1	00206100

With gauge point ¼" and 50 mm pressure gauge 0-4 bar.

## System Accessories (continued)

### Varia Reduced with Dual Venting Facility



Description	Pcs/Pack	Code
3/8" + bb*	1	00400620

\*bubble-breaker.

### Varia Standard with Automatic Bleed Valve On Top



Description	Pcs/Pack	Code
1/2"	1	00400660

### Varia Maxi with Automatic Bleed Valve On Top



Description	Pcs/Pack	Code
3/4"	1	00400340

### Service Check Valve for Tecno-Varia and Varia



Description	Pcs/Pack	Code
3/8" M x a" F	1	00402060
1/2" M x a" F	1	00402080
1/2" M x 1/2" F	1	00402100

### In-line Deaerators



Description	Pcs/Pack	Code
1/2"	1	00406000
3/4"	1	00406010
1"	1	00406020
1 1/4"	1	00406030
1 1/2"	1	00406040
2"	1	00406050

In-line deaerators, designed to help eliminate micro-bubbles from heating and cooling systems. Features include 3 stage filter, removable cartridge, bi-directional flow and automatic venting. Pressure rating 10 bar, max temperature 110 °C.



### Key for Operating Bleed Valves



Description	Pcs/Pack	Code
Manual Bleed Key	1	00408230

### Y-type Strainer Female Brass, Sandblasted, 40 Mesh Stainless Steel, FBSP Thread



Description	Pcs/Pack	Code
½"	1	01005012
¾"	1	01005034
1"	1	01005100
1¼"	1	01005114
1½"	1	01005112
2"	1	01005200
2½"	1	01005205

In-line deaerators, designed to help eliminate micro-bubbles from heating and cooling systems. Features include 3 stage filter, removable cartridge, bi-directional flow and automatic venting. Pressure rating 10 bar, max temperature 110 °C.

### Capillary Thermometer



Description	Pcs/Pack	Code
52 mm	1	00622056

1m capillary, with 25mm bulb, of 6.5mm dia. Temperature 0-120°C.

### Capillary Combined Temperature and Pressure Gauge



Description	Pcs/Pack	Code
52 mm	1	00622052

Pressure 0-4 bar, temperature 0-120 °C.

Pressure outlet connection M14 x 1" M, see below for fitting, 1 metre capillary with 19 mm bulb x 6.5 mm dia.

### Connector for Capillary Pressure Reading



Description	Pcs/Pack	Code
M14 x 1" M	1	00600010

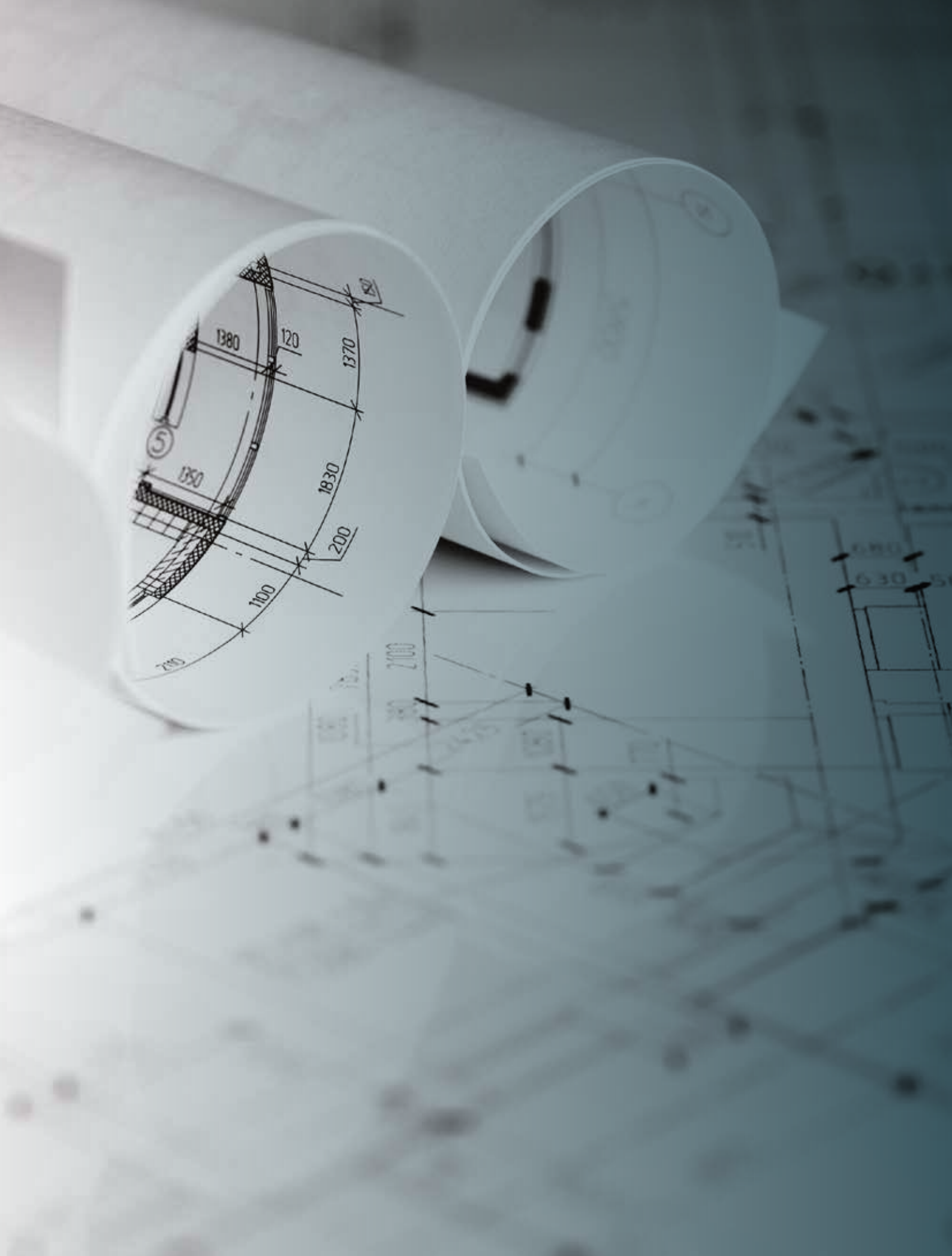
For use with combined temperature and pressure gauge. Includes single check valve.

### Temperature Gauge Pocket



Description	Pcs/Pack	Code
Ø 7 L 50 mm	1	00510682
Ø 9 L 50 mm	1	00510012
Ø 10 L 50 mm	1	00510684
Ø 10 L 100 mm	1	00510686
Ø 15 L 110 mm	1	00510688

Connection ½" M BSP.



# Technical Diagrams and **General Information**

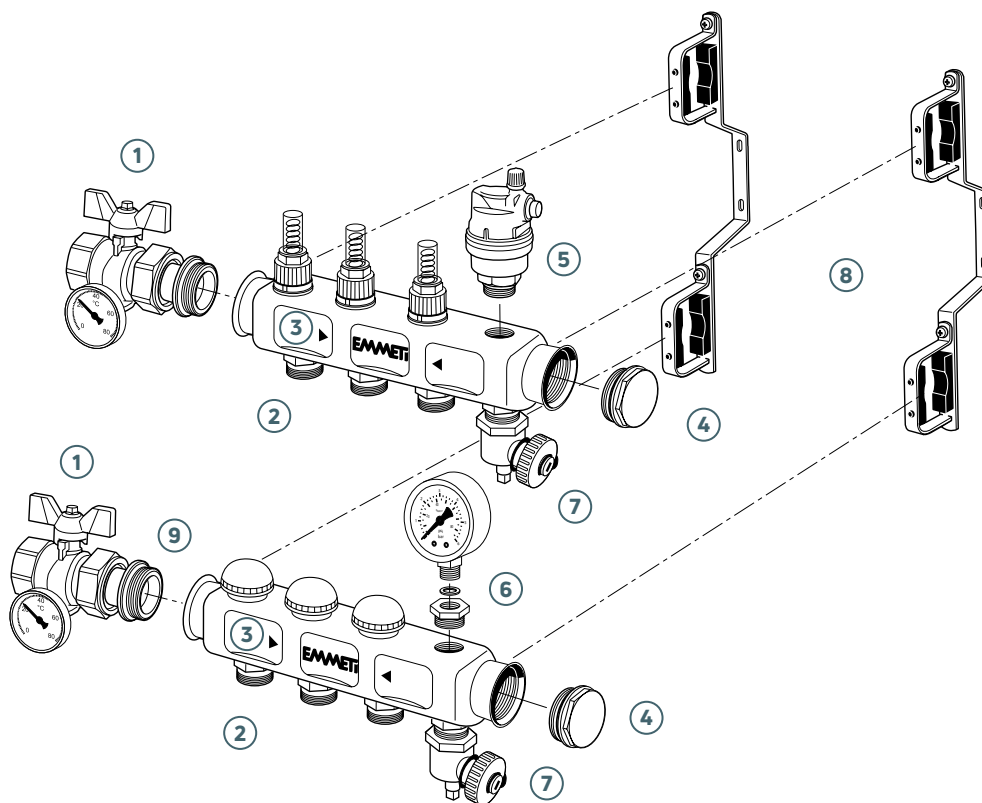
EMMETI UK are passionate about their products and systems, but are equally passionate about their aftersales and technical support.

Further information and technical details on their range of products can be found within this section, or online at [www.emmeti.co.uk](http://www.emmeti.co.uk)

# Technical Diagrams

## Manifold Assembly

### Type 2 Topway Plus Stainless Steel FM Pre-Assembled Heating Manifold



#### 1 Ball Valves

Code: 01306710 1" with thermometer / 01306708 1" without thermometer

#### 2 Monoblocco Connectors

A range of Monoblocco connectors are available to suit pipe sizes 10mm - 20mm, and different pipe types PB, PE-Xa, PE-RT, MLCP and Copper. For the complete range please refer to Manifold Accessories section or visit our website [www.emmeti.co.uk](http://www.emmeti.co.uk)

#### 3 Manifold

Code: 01282260 (2-way) to 01282280 (12-way) 1"

#### 4 Blanking Plug

Code: 90004830 1" M with o-ring seal

#### 5 Automatic Air Vent

Code: 00400020 Tecno-Varia auto air vent 1/2"

#### 6 Pressure Gauge

Code: 90063890

#### 7 Drain Fill Valve

Code: 01306824 1/2" with 3/4" hose connection

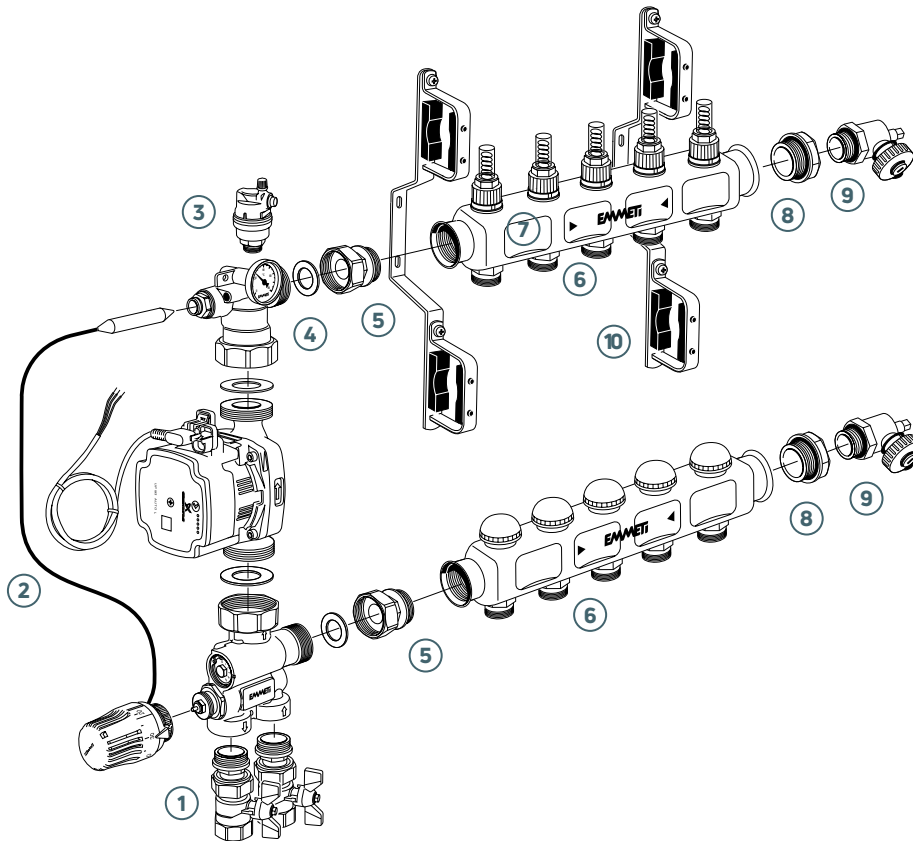
#### 8 Double Metal Brackets

Code: 01306826 1" 210mm

#### 9 Union Connector

Code: 90055960 1" M BSP x 1" F union connector

## FMU3 Floor Mixing Unit with Low Temperature Manifold including Flowmeters



**1 Ball Valves**

Code: 01306710 1" with thermometer /  
01306708 1" without thermometer

**2 Thermostatic Actuator**

Code: 90060890 M30 x 1.5

**3 Automatic Air Vent**

Code: 00400004 Tecno-Varia automatic air vent

**4 Thermometer**

Code: 90006860 0° - 80°C

**5 Union Connector**

Code: 90055960 1" M BSP x 1" F union connector

**6 Monoblocco Connectors**

A range of Monoblocco connectors are available to suit pipe sizes 10mm - 20mm, and different pipe types PB, PE-X, PE-RT, MLCP and Copper. For the complete range please refer to Manifold Accessories section or visit our website [www.emmeti.co.uk](http://www.emmeti.co.uk)

**7 Topway Plus Compact Manifold**

Code: 01292760 (2-way) to 01292780 (12-way)

**8 Reducing Fitting**

Code: 90004850 1" M x 1/2" F

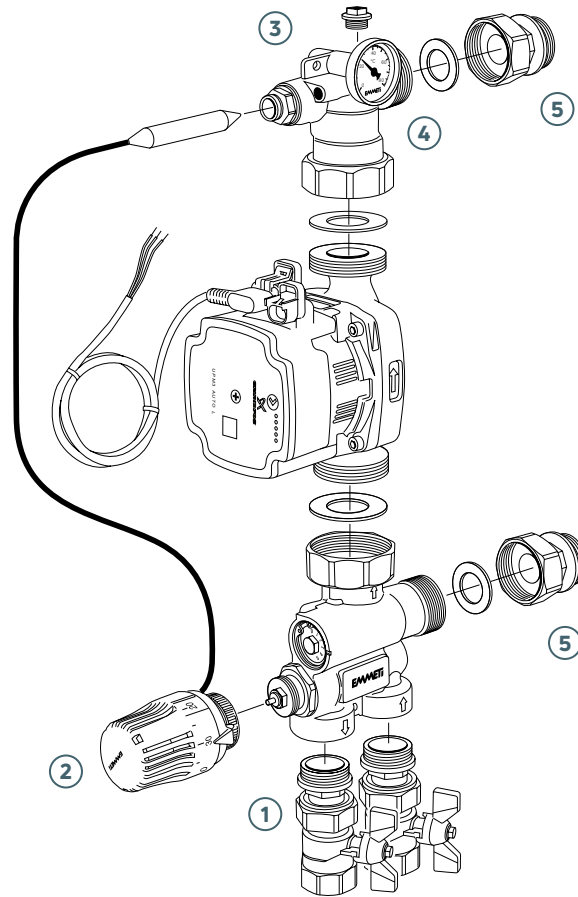
**9 Drain/Fill Valve**

Code: 90011790 1/2" drain/fill valve with 3/4" hose connection

**10 Double Metal Brackets**

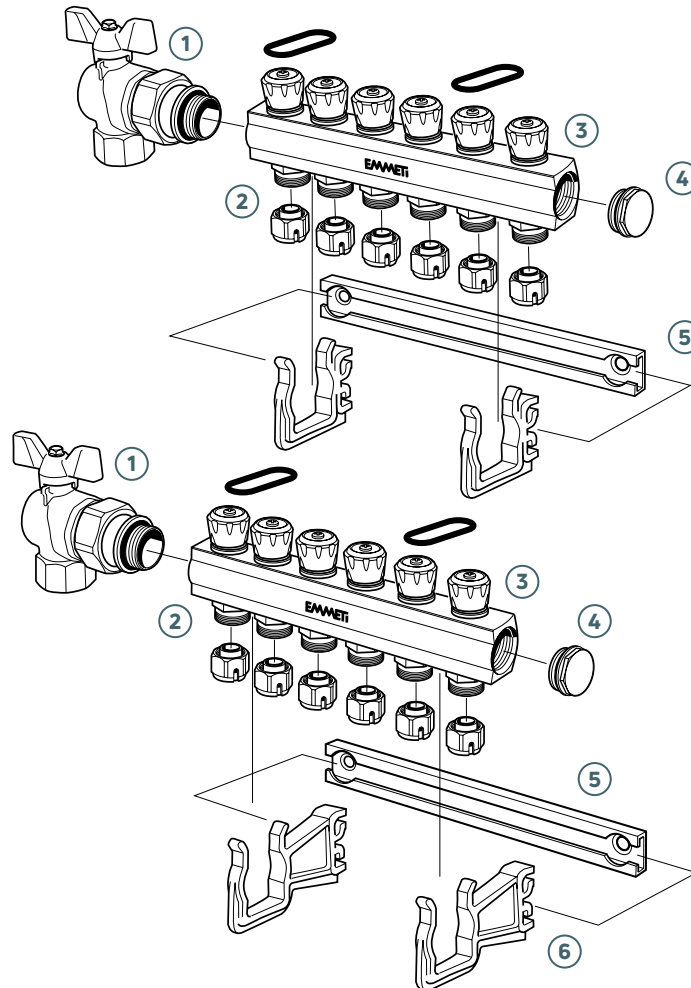
Code: 01306826 1" 210mm

TM3-R Thermostatic Mixer Control Group with Grundfos UPM2 Auto Pump



- 1 Ball Valves**  
Code: 01306710 1" with thermometer /  
01306708 1" without thermometer
- 2 Thermostatic Actuator**  
Code: 90060890 M30 x 1,5
- 3 Manual Air Vent**  
Code: 00410021 1/2"
- 4 Thermometer**  
Code: 90006860 0° - 80°C
- 5 Union Connector**  
Code: 90055960 1" M BSP x 1" F union connector

## Type 1 TopSan Manifold Assembly



### 1 Ball Valves

A range of 3/4" and 1" ball valves are available. For the complete range please refer to Manifold Accessories section or visit our website [www.emmeti.co.uk](http://www.emmeti.co.uk)

### 2 Monoblocco Connectors

A range of Monoblocco connectors are available to suit pipe sizes 10mm - 20mm, and different pipe types PB, PE-X, PE-RT, MLCP and Copper. For the complete range please refer to Manifold Accessories section or visit our website [www.emmeti.co.uk](http://www.emmeti.co.uk)

### 3 Manifold

Code: 01282050 (2-way) to 012822070 (12-way) 3/4"  
Code: 01282084 (4-way) to 01282088 (6-way) 1"

### 4 Blanking Plug

Code: 90004820 3/4" M with o-ring seal  
Code: 90004830 1" M with o-ring seal

### 5 Aluminium Slider Rail

Order two per manifold or one 400mm slider rail as this can be snapped into two 200mm lengths by hand.

Code: 01306400 400mm or Code: 01306398 200mm

### 6 Brackets

Code: 01302120 3/4" plastic bracket supports  
Code: 01302130 1" plastic bracket supports  
Sold in boxes of 10 pairs

### Additional Bracket Options

#### Single Metal Brackets

(Sold in pairs)

Code: 90011500 - 3/4"  
Code: 90011510 - 1"

#### Double Metal Brackets

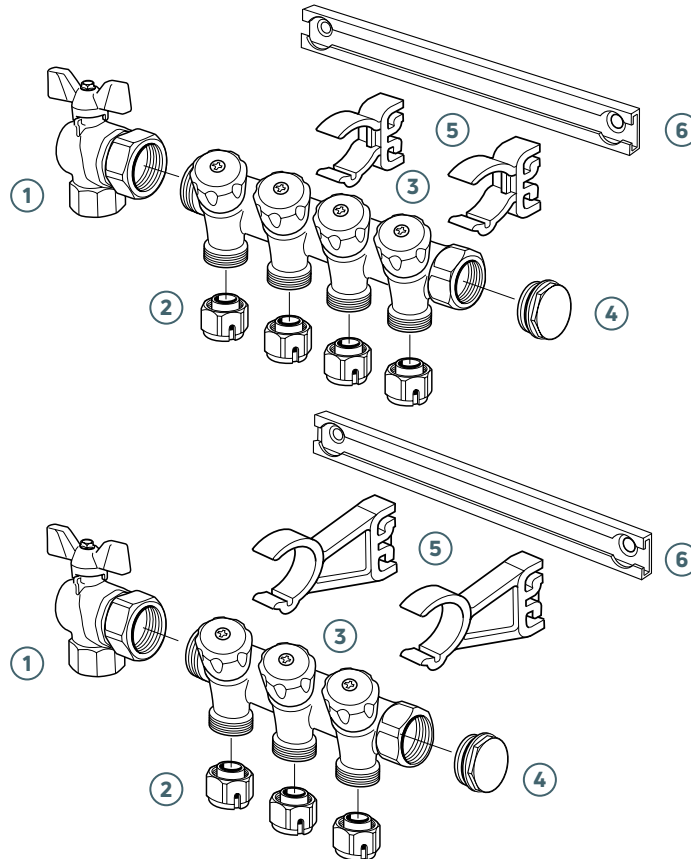
(Sold in pairs)

Code: 90011530 - 3/4" 200mm centres  
Code: 90011540 1" 200mm centres





Type 1 Multiplex Manifold Assembly



**1 Ball Valves**

A range of 3/4" and 1" ball valves are available. For the complete range please refer to Manifold Accessories section or visit our website [www.emmeti.co.uk](http://www.emmeti.co.uk)

**2 Monoblocco Connectors**

A range of Monoblocco connectors are available to suit pipe sizes 10mm - 20mm, and different pipe types PB, PE-X, PE-RT, MLCP and Copper. For the complete range please refer to Manifold Accessories section or visit our website [www.emmeti.co.uk](http://www.emmeti.co.uk)

**3 Manifold**

Code: 01307260 (2-way) to 01307270 (4-way) 3/4"  
Code: 01307280 (2-way) to 01307290 (4-way) 1"

**4 Blanking Plug**

Code: 90004820 3/4" M with o-ring seal  
Code: 90004830 1" M with o-ring seal

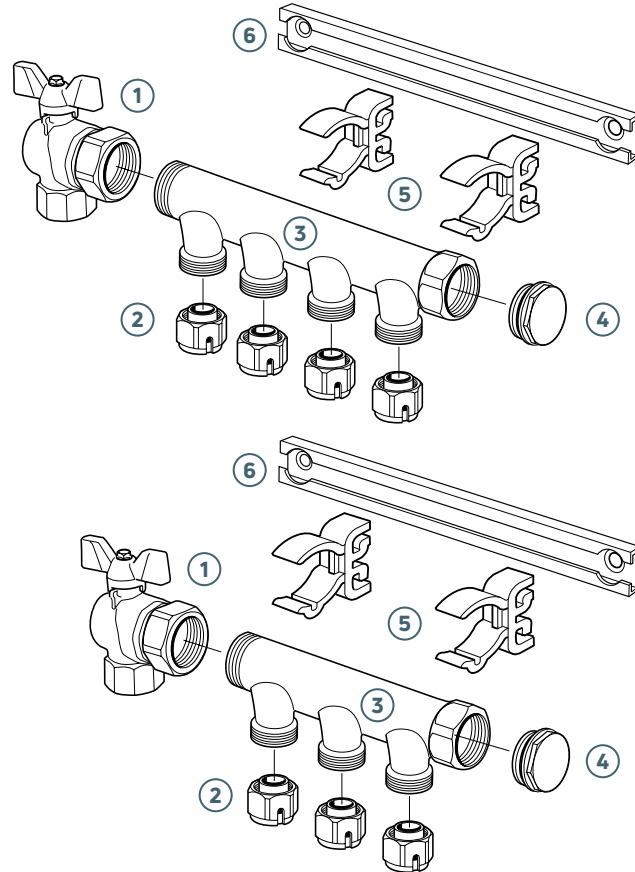
**5 Plastic Brackets**

Code: 01302140 3/4" or 01302150 1"  
Sold in boxes of 10 pairs

**6 Aluminium Slider Rail**

Order two per manifold or one 400mm slider rail as this can be snapped into two 200mm lengths by hand.  
Code: 01306400 400mm or Code: 01306398 200mm

Type 1 Modular Manifold Assembly



**1 Ball Valves**

A range of 3/4" and 1" ball valves are available. For the complete range please refer to Manifold Accessories section or visit our website [www.emmeti.co.uk](http://www.emmeti.co.uk)

**2 Monoblocco Connectors**

A range of Monoblocco connectors are available to suit pipe sizes 10mm - 20mm, and different pipe types PB, PE-X, PE-RT, MLCP and Copper. For the complete range please refer to Manifold Accessories section section or visit our website [www.emmeti.co.uk](http://www.emmeti.co.uk)

**3 Manifold**

Code: 01303050 (2-way) to 01303054 (4-way) 3/4"  
Code: 01303060 (2-way) to 01303064 (4-way) 1"

**4 Blanking Plug**

Code: 90004820 3/4" M with o-ring seal  
Code: 90004830 1" M with o-ring seal

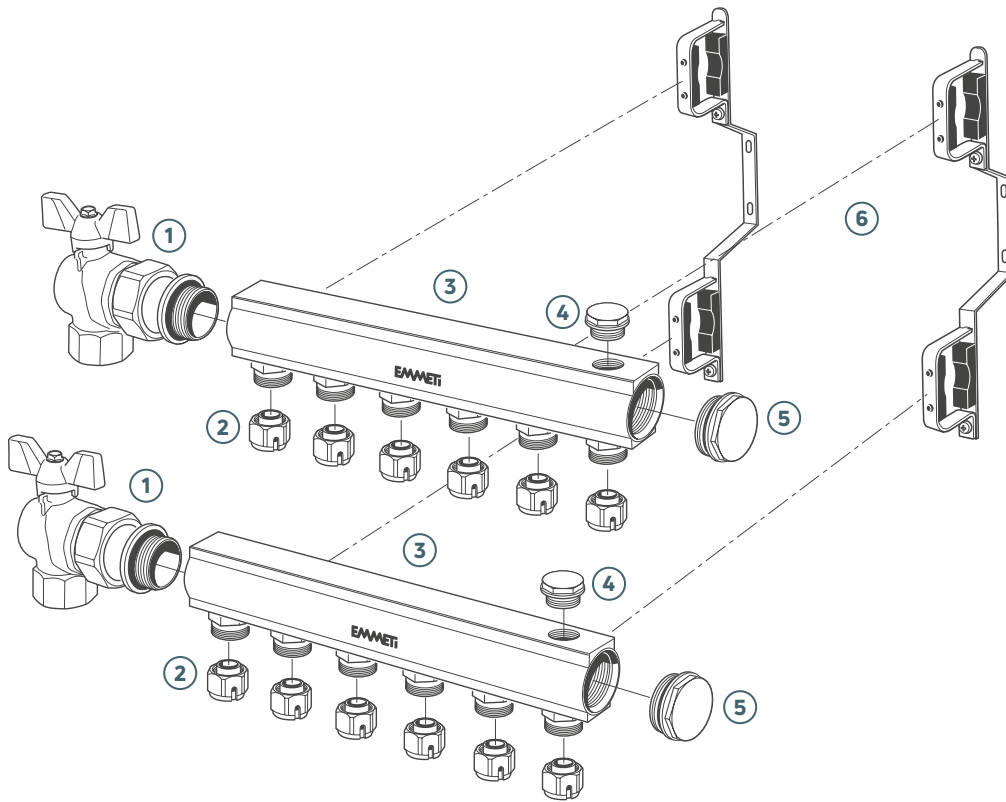
**5 Plastic Brackets**

Code: 01302140 3/4" or 01302150 1"  
Sold in boxes of 10 pairs

**6 Aluminium Slider Rail**

Order two per manifold or one 400mm slider rail as this can be snapped into two 200mm lengths by hand.  
Code: 01306400 400mm or Code: 01306398 200mm

**Type 1 Topway Pre-Assembled Manifold**



**1 Ball Valves**

A range of 3/4", 1" and 1 1/4" ball valves are available. For the complete range please refer to Manifold Accessories section or visit our website [www.emmeti.co.uk](http://www.emmeti.co.uk)

**2 Monoblocco Connectors**

A range of Monoblocco connectors are available to suit pipe sizes 10mm - 20mm, and different pipe types PB, PE-Xa, PE-RT, MLCP and Copper. For the complete range please refer to Manifold Accessories section or visit our website [www.emmeti.co.uk](http://www.emmeti.co.uk)

**3 Manifold**

Code: 01293260 (2-way) to 01293280 (12-way) 3/4" 36mm centres  
 Code: 01293290 (2-way) to 01293310 (12-way) 3/4" 50mm centres  
 Code: 01293830 (2-way) to 01293850 (12-way) 1" 50mm centres  
 Code: 01294634 (4-way) to 01294650 (12-way) 1 1/4" 50mm centres  
 Order 2 per set

**4 Blanking Plug**

Code: 90004930 1/2" M with o-ring seal

**5 Blanking Plug**

Code: 90004820 3/4" M with o-ring seal  
 Code: 90004830 1" M with o-ring seal  
 Code: 90005070 1 1/4" M with o-ring seal

**6 Double Metal Brackets 210mm centres**

Code: 90011560 3/4" / Code: 90011570 1" / Code: 90011580 1 1/4" supplied in pairs

**Additional Bracket Options**

**Single Metal Brackets**

(Sold in pairs)  
 Code: 90011500 - 3/4"  
 Code: 90011510 - 1"  
 Code: 90011520 - 1 1/4"

**Plastic Brackets**

(Sold in packs of 10 pairs)  
 Code: 01302120 - 3/4"  
 Code: 01302130 - 1"

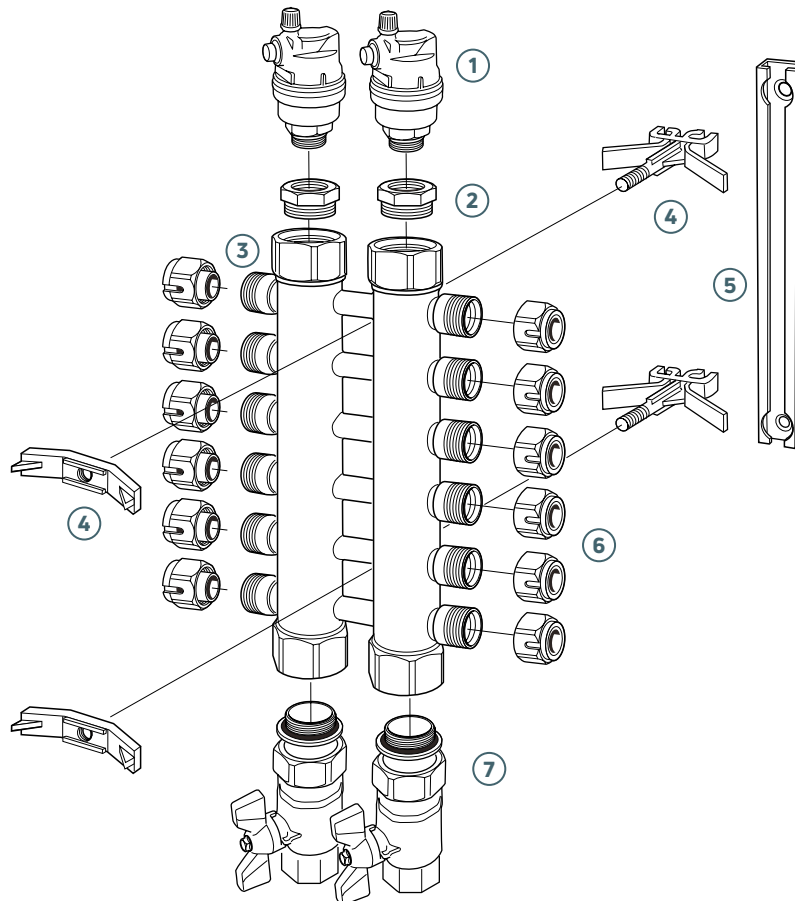
**Aluminium Slider Rail**

Order two per manifold or one 400mm slider rail as this can be snapped into two 200mm lengths by hand.

Code: 01306400 400mm  
 or Code: 01306398 200mm



## Type 1 Mixer Manifold Assembly



### 1 Automatic Air Vent

Code: 00400004 ½" Tecno-Varia automatic air vent  
Code: 00410021 bleed valve and manual air vent ½"

### 2 Reducer Fittings

Code: 90004840 ¾" M x ½" F reducer, nickel-plated

### 3 Manifold

Code: 01290800 2x2 to 01290840 10x10 ¾" 36mm centres

### 4 Plastic Brackets

Code: 01302160 bracket support kit including retainer, sold in boxes of 10

### 5 Aluminium Slider Rail

Order two per manifold or one 400mm slider rail as this can be snapped into two 200mm lengths by hand.

Code: 01306400 400mm or Code: 01306398 200mm

### 6 Monoblocco Connectors

A range of Monoblocco connectors are available to suit pipe sizes 10mm - 20mm, and different pipe types PB, PE-X, PE-RT, MLCP and Copper. For the complete range please refer to Manifold Accessories section or visit our website [www.emmeti.co.uk](http://www.emmeti.co.uk)

### 7 Ball Valves (Optional)

A range of ¾" ball valves are available. For the complete range please refer to Manifold Accessories section or visit our website [www.emmeti.co.uk](http://www.emmeti.co.uk)

**Zone Terminal Identification**

- 1. **NSB** = Night Set Back Connection (if required) →
- 2. **SWL >** = Switched Live back from Thermostat →
- 3. **SWL <** = Switched Live to External Control (if required) →
- 4. **TN** = Neutral to Thermostat →
- 5. **TL** = Live to Thermostat →
- 6. **L1** = Live to Electro-thermic Actuator Head →
- 7. **N1** = Neutral to Electro-thermic Actuator Head →

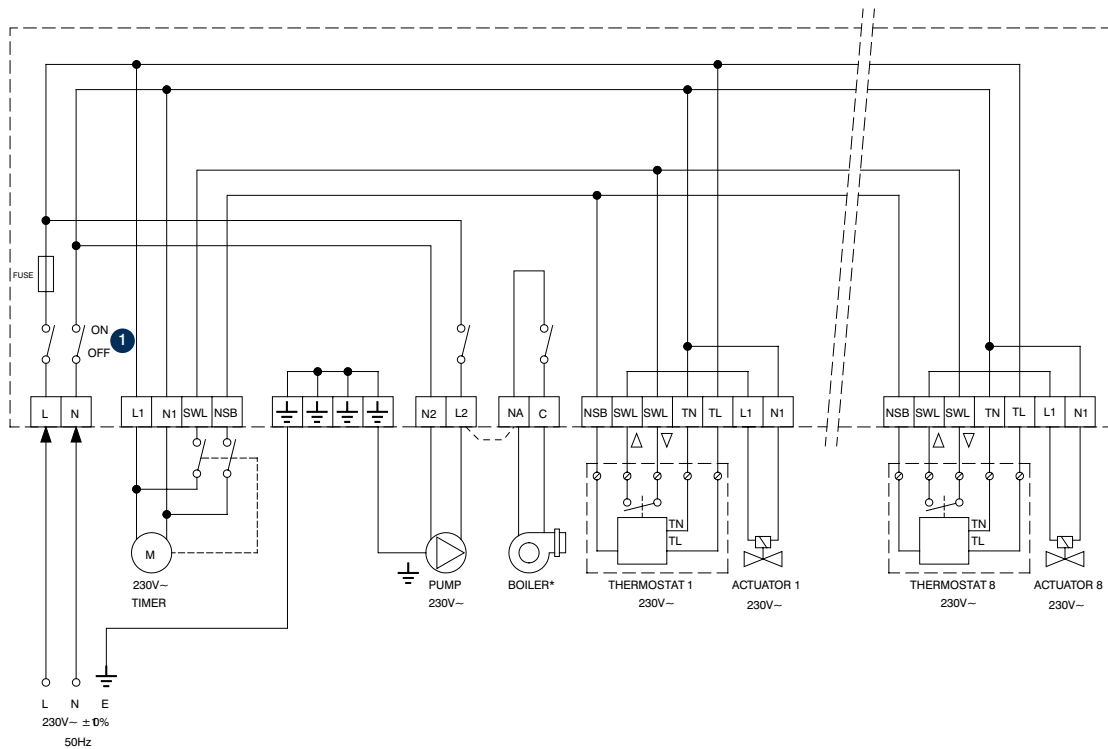


**Wiring Diagram to suit EWC-1 and EWC-2 230V Versions**

Connections to the wiring centre should be made in accordance with the wiring diagrams shown below:

Note - where the boiler requires a 230V supply, connect terminal NA to pump terminal L2 - shown dotted - and remove connection between boiler and terminal NA (terminal NO on EWC-2 models).

1 NB. Only EWC-1 has on/off switch



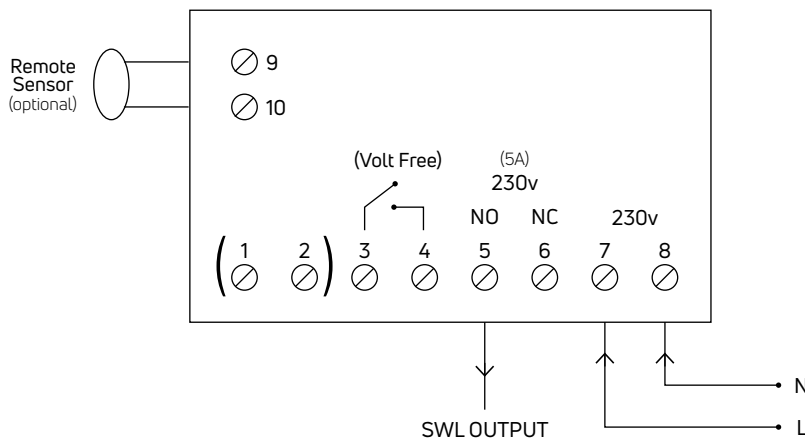
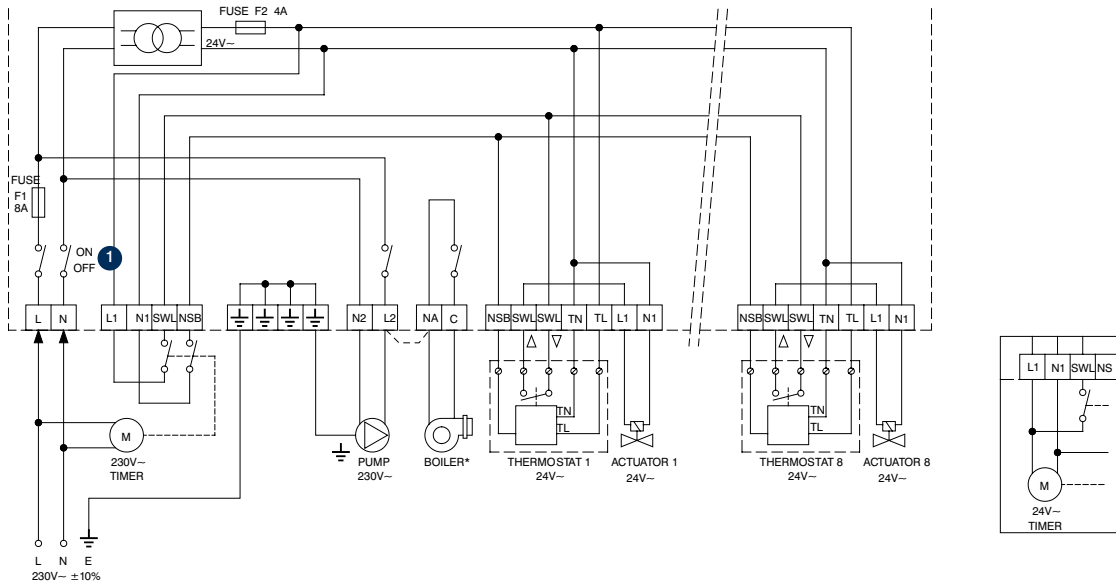
## Wiring Diagram to suit EWC-1 24V 8-way Wiring Centre

Connections to the wiring centre should be made in accordance with the wiring diagram shown below:

Note - where the boiler requires a 230V supply, connect terminal NA to pump terminal L2 - shown dotted - and remove connection between boiler and terminal NA (terminal NO on EWC-2 models).

1 NB. Only EWC-1 has on/off switch

When working with a 230V timeswitch on the 24V wiring centre, the wiring centre switch will not isolate the power supply to the timeswitch. Switch off the main isolator before working on the timeswitch.



Terminal 1	Spare - Do Not Use
Terminal 2	Spare - Do Not Use
Terminal 3	Volt free switch
Terminal 4	Volt free switch
Terminal 5	Normally open direct contact
Terminal 6	Normally closed direct contact
Terminal 7 & 8	Live & Neutral

# General Information



We have developed a product portfolio specially designed to cater for the UK plumbing and heating markets, in particular the underfloor heating, wall hung radiator heating and hot and cold water sectors. Core products for the markets we serve are:

- Manifolds and fittings for radiator and underfloor heating systems
- Manifolds and fittings for sanitary water distribution
- Multilayer pipe and press fitting systems from 16mm to 75mm
- Pipe, insulation and accessories for underfloor heating
- Zone controls for radiator and underfloor heating, including thermostats, actuators and wiring centres
- Expansion vessels for both heating and potable water applications
- Manual and thermostatic radiator valves
- Manual and motorised ball valves
- Pressure reducing valves
- Heat Interface Units (HIU)

## Product Standards and Customer Support

All of our products are manufactured to comply with European standards wherever possible. Additionally, where appropriate, our products also satisfy the requirements of WRAS for use in potable water systems. In addition, we have provided individual installation guides with each product and copies can be obtained by going online or by contacting our sales office.

To receive regular product updates, news and technical articles, please register via our website or, if you are viewing this page electronically, simply click on the link [www.emmeti.co.uk/news-update](http://www.emmeti.co.uk/news-update)

Our website offers online access to literature, product data, technical information, articles, and the latest product launches: [www.emmeti.co.uk](http://www.emmeti.co.uk)



## Disposal of Waste Electrical or Electronic Equipment



This crossed-out wheeled bin symbol indicates that waste electrical and electronic products (WEEE) should be disposed of separately to local waste collection services.

Old electrical products can contain hazardous substances, so correct disposal of your old equipment will help prevent potential negative consequences for the environment and human health. Old equipment may contain reusable parts that could be used to repair other products, and other valuable materials that can be recycled to conserve limited resources.

Old equipment should be disposed of responsibly in accordance with local authority guidelines at a local authority waste recycling centre or authorised WEEE collection point.



We accept orders by email and fax only, however we can take enquiries by telephone.

When ordering please provide the following details:

- Company name, contact name and telephone number
- Product code
- Product description
- Quantity required
- Delivery address with contact name, telephone number and email address
- Required delivery service (see below for options)
- Delivery date
- Type of site: ie. domestic or commercial
- Site access restrictions: If private/domestic address, please let us know if a dwelling is isolated or down a narrow lane
- Your purchase order number
- Invoice address

An order acknowledgement will be sent to confirm your requirements. Please check this carefully and notify the internal sales team if any changes are required as soon as possible, on (+44) 01993 824900 or via email [sales@emmeti.co.uk](mailto:sales@emmeti.co.uk). If the order has been despatched, we will inform you of the options available.

By Email:

Please send to [sales@emmeti.co.uk](mailto:sales@emmeti.co.uk) with the information above.

By Fax:

Please send to (+44) 01993 824990 with the same information as above.

By Telephone:

Please call (+44) 01993 824900 from Monday - Thursday 09:00 - 17:00 and Fridays 09:00 - 16:30 except bank holidays.

Talk to our internal sales team who will discuss your requirements and advise on delivery and pricing. Written purchase orders can be accepted by email or fax only. Please refer to details above.

## How to Order

## Carriage and Delivery

---

### Premium Delivery Service\*\*

Our Premium Delivery Service includes a variety of delivery options designed to suit business needs. You can choose to receive your goods from 10am, before midday or at a specific time to suit you. We can also deliver on a Saturday with our Premium Service.

Irrespective of order value, delivery charges for the Premium Service are as follows:

AM (BEFORE NOON, but NOT guaranteed before 10.30am)	£30.00
TIMED (10.30am earliest)	£40.00
SATURDAY	£60.00

\*\*Restrictions in Central London, Scottish Isles and Ireland apply. EMMETI UK will provide you with a quote for Premium Service in these areas.

### Next Day Delivery Service\*\*\*

Our Next Day Delivery Service is for deliveries needing to reach their destination within 24 hours. This service operates throughout most of the UK. Along with our Premium Service, it is designed for those deliveries that need to get there as quickly as possible.

Delivery charges for Next Day Delivery:

FREE for order value £1000.00 and above

£15.00 for order value up to £1000.00

\*\*\*Next day service is currently unavailable in ROI & NI.

### Economy Delivery Service

The economy service accommodates a 2-3 days service throughout the UK. For Northern Ireland and Republic of Ireland this method is a 4-5 days service.

This provides a more cost-effective option but still offers the same security and customer service.

Delivery charges for Economy Delivery:

FREE for order value £1000.00 and above

£10.00 for order value up to £1000.00

With all delivery options, irrespective of order value, an additional surcharge of £39.50 is applicable for orders containing lengths of Gerpex 4m bars (please see page 14). Any deliveries for 4m bars beyond a 100 mile radius from our warehouse (OX29 5UX) would be subject to individual quote.

With all delivery service options, if we cannot deliver to the required postcode on the required date, we will inform you.

- Please note, orders must be received before 13:00 in order to arrange Next Day Delivery Service.
- Please indicate which delivery service you require on your purchase order, inclusive of the cost.
- Purmo Group (UK) Ltd reserve the right to charge the purchaser for failed deliveries, which have occurred through no fault of Purmo Group (UK) Ltd.
- Purmo Group (UK) Ltd cannot be held responsible or accept claims for consequential loss as a result of a failed delivery where you have provided incorrect or insufficient delivery details or for reasons beyond our control, eg. weather or vehicle breakdown.

### Customer Collections

---

Our warehouse can accommodate customer collections of goods ordered and acknowledged by Purmo Group (UK) Ltd, Burford Office, based on the following terms:

Purmo Group (UK) Ltd will provide the customer with an order confirmation, notifying the customer of:

- Date/time from when your order will be ready to collect from the address shown below
- The number of pallets (or parcels) that your order contains.

The customer shall:

- Present a copy of the Purmo Group (UK) Ltd order confirmation upon collection from the address shown below
- Accept responsibility to organise a suitable vehicle to collect the goods. Failure to do this, may result in the collection being aborted. Should this be the case, Purmo Group (UK) Ltd can arrange delivery of the order; please request a quote from Purmo Group (UK) Ltd.

Please note, same day collections may be declined subject to time constraints.

Collection address: Oxford Carriers, Unit 25 Stanton Harcourt I.E, Stanton Harcourt, Witney, OX29 5UX.

### Product Queries

---

Please call (+44) 01993 824900 from Monday - Thursday 09:00 - 17:00 and Fridays 09:00 - 16:30 except bank holidays.

Our internal sales team will be pleased to answer your product queries and where applicable, our technical or external sales team are available to answer your technical queries.

If you wish to discuss your requirements with one of our sales team or arrange for them to call and see you, please contact us on the above number for details of the member of our team best able to help you.

For full terms and conditions see pages 111-113.

# Purmo Group (UK) Ltd - Conditions of Sale (For Goods and Service)

1. INTERPRETATION
- 11 In these conditions of sale the following words will (unless the context otherwise requires) have the following meanings:
  - "Conditions" means the conditions set out below.
  - "Contract" means any contract between Purmo Group (UK) Ltd and the Customer for the sale of any Works. "Customer" means the company, firm, body, person, individual or other party purchasing the Works.
  - "Customer's Property" means any patterns, drawings, specifications, designs, packagings and any other equipment, goods, materials, instructions or information supplied by or on behalf of the Customer (or a third party nominated by the Customer) to Purmo Group (UK) Ltd in connection with the Works.
  - "Goods" means any goods agreed in the Contract to be provided by Purmo Group (UK) Ltd to the Customer (including but not limited to the whole or any part or parts of them, any raw materials, finished or semi-finished materials, parts, spares, commodities and any materials, articles or commodities supplied in connection with the Services).
  - "IPR" means patents, trade marks and service marks, rights in designs, trade or business names, copyright (including rights in computer software), database rights and topography rights (whether or not any of these is registered and including applications for registration of any such thing) and all rights or forms of protection of a similar nature or having equivalent or similar effect to any of these which may subsist anywhere in the world.
  - "Services" means any work and/or services agreed in the Contract to be provided by Purmo Group (UK) Ltd to the Customer (including but not limited to the whole or any part or parts of them).
  - "Warranty Period" means unless otherwise agreed in writing the warranty period set out in clause 7.3.
  - "Works" means the Goods and/or the Services (as appropriate).
- 12 Any reference to any statute or statutory provision will (unless the context otherwise requires) be construed as a reference to that statute or statutory provision as may be amended, consolidated, modified, extended, re-enacted or replaced from time to time.
- 13 The headings are for reference only and will not affect the interpretation of these Conditions.
- 14 Purmo Group (UK) Ltd reserves the right at anytime without liability to correct any clerical, typographical or other similar errors or omissions made by its employees.
2. QUOTATIONS
- 21 Any quotation (whether written or oral) is given on the basis that no contract will come into existence otherwise than in accordance with the provisions of clauses 3.5 and 3.6.
- 22 Unless otherwise agreed in writing any quotation is valid only for a period of 30 days from its date of issue provided that Purmo Group (UK) Ltd has not previously withdrawn it by written or oral notice to the Customer.
- 23 Each quotation clearly sets out the scope of the Works and is based on any instructions, information and specification provided by the Customer. Purmo Group (UK) Ltd reserves the right (at its absolute discretion) to amend the quoted price to cover any increase which may arise as a result of additional Works being requested (and agreed) or additional or incomplete instructions or information being provided.
3. APPLICATION OF TERMS
- 31 (Subject to clause 3.4) these Conditions are the only conditions on which Purmo Group (UK) Ltd is prepared to deal with the Customer and they will apply to and govern the Contract and all of Purmo Group (UK) Ltd's future supplies to the Customer.
- 32 No terms, conditions or warranties endorsed upon, delivered with, referred to or stipulated or contained in any purchase order or other similar document delivered or sent by the Customer to Purmo Group (UK) Ltd, whether before or after the date of the Contract, will form part of the Contract.
- 33 Any reference to the Customer's purchase order or other similar document will not be deemed to imply that any terms, conditions or warranties endorsed upon, delivered with, referred to or stipulated or contained in such purchase order or other similar document will have effect to the exclusion or amendment of these Conditions.
- 34 Any variation to or waiver of or addition to these Conditions and any representation or advice about the Works will have no effect unless it is expressly agreed in writing and is signed by a duly authorised officer of both parties.
- 35 Each purchase order for Works issued by the Customer will be deemed to be an offer by the Customer to purchase Works subject to these Conditions.
- 36 No purchase order placed by the Customer will be deemed to be accepted by Purmo Group (UK) Ltd until a written acknowledgement of order is issued by Purmo Group (UK) Ltd or (if earlier) Purmo Group (UK) Ltd supplies the Works to the Customer. If Purmo Group (UK) Ltd has not given a written acknowledgement of order subject to the provisions set out in clause 3.4, these Conditions will apply to the Contract.
- 37 The Customer must ensure that the content of its purchase order and any applicable specification are complete and accurate.
- 38 Unless otherwise agreed in writing all samples, software, drawings, illustrations, descriptions, specifications, technical data, advertising and other similar information issued by Purmo Group (UK) Ltd or contained in Purmo Group (UK) Ltd's catalogues, brochures, trade literature, price lists or other similar published materials are issued or published only for the purpose of giving an approximate idea of the Works described in them and will not form part of the Contract.
- 39 Any purchase order which has been accepted by Purmo Group (UK) Ltd in accordance with clauses 3.5 and 3.6 may only be cancelled, suspended, deferred, postponed or varied by the Customer with the prior written consent of Purmo Group (UK) Ltd and on terms that the Customer will indemnify Purmo Group (UK) Ltd in full against all losses (including but not limited to loss of profit), costs (including but not limited to inventory and other commitments made by Purmo Group (UK) Ltd as a result of such purchase order), damages, charges and expenses incurred (directly or indirectly) by Purmo Group (UK) Ltd as a result of such cancellation, suspension, deferment, postponement or variation.
4. DELIVERY
- 41 Any times specified or agreed by Purmo Group (UK) Ltd for the delivery of the Works are given in good faith but are an estimate only. If no time is specified or agreed by Purmo Group (UK) Ltd delivery will take place within a reasonable time. The time for the delivery of the Works will not be of the essence of the Contract.
- 42 Purmo Group (UK) Ltd will use its reasonable endeavours to deliver the Works within the times set out in clause 4.1 but Purmo Group (UK) Ltd will not be liable for the consequences of any delay or failure to deliver if the duration of the delay is not substantial or if the delay or failure is due to any circumstances beyond Purmo Group (UK) Ltd's reasonable control or of an unexpected or exceptional nature.
- 43 (Subject to the provisions of clause 4.4) delivery will be deemed to take place and the Customer will be responsible for off loading when the Works are delivered to the Customer at such place as the parties may agree.
- 44 If Purmo Group (UK) Ltd agrees to permit the Customer to collect the Works from Purmo Group (UK) Ltd's place of business Purmo Group (UK) Ltd will notify the Customer that the Works are ready for collection and delivery will be deemed to take place when the Customer collects the Works from Purmo Group (UK) Ltd's place of business. The Customer will be responsible for loading and collect the Works within 7 working days of the issue of such notice unless otherwise agreed in writing.
- 45 Purmo Group (UK) Ltd will use its reasonable endeavours to ensure where necessary that the Works will be packed so as to be adequately protected against damage in normal conditions of transit of usual duration. Unless it has agreed to permit the Customer to collect the Works Purmo Group (UK) Ltd will make its normal arrangements for the carriage of the Works. The Customer will indemnify Purmo Group (UK) Ltd against any additional costs or expenses which Purmo Group (UK) Ltd incurs as a result of any carriage which is agreed between the parties which is outside Purmo Group (UK) Ltd's normal carriage arrangements. Such additional costs and/or expenses to be paid by the Customer when it is due to pay for the Works.
- 46 Purmo Group (UK) Ltd may deliver the Works in instalments. Deliveries of further instalments may be withheld until the Works comprised in earlier instalments have been paid for in full. Default by Purmo Group (UK) Ltd (howsoever caused) in respect of one or more instalments will not entitle the Customer to terminate the relevant Contract as a whole.
- 47 In the event of any delay in the delivery or collection of any Goods and/or the performance of any Services which are attributable to the Customer's actions or failure to act then:
  - (a) delivery of the Goods and/or performance of the Services will be deemed to have taken place at the time at which but for such delay or delays such delivery or performance would have taken place and any extra costs (including but not limited to storage, insurance and redelivery costs) incurred as a result of such delay or delays will be added to the Contract price and will be payable by the Customer; and
  - (b) Purmo Group (UK) Ltd may sell or otherwise dispose of such Goods [as it sees fit] by giving not less than 28 days written notice of its intention to the Customer and deduct any monies payable to Purmo Group (UK) Ltd by the Customer from the sale proceeds and account to the Customer for any excess or charge the Customer for any shortfall.
- 48 Where the Works are to be supplied from stock such supply is subject to the availability of the stock at the date of delivery.
- 49 On delivery to the Customer all Works should be examined. Purmo Group (UK) Ltd will not be liable for any shortages in or non-delivery of the Works (even if caused by Purmo Group (UK) Ltd's negligence) unless the same is notified in writing by the Customer to Purmo Group (UK) Ltd (together with all relevant details) within 72 hours of the actual or anticipated date of delivery (as appropriate). Subject to such notice being provided Purmo Group (UK) Ltd will, if it is reasonably satisfied that any Works have not been delivered as a result of Purmo Group (UK) Ltd's fault (in its sole discretion) either arrange for redelivery as soon as reasonably possible or give credit (at the pro rata Contract price) to the Customer for such Works. Any shortages in or non-delivery of part of the Works will not affect the Contract in respect of the other parts of the Works.
- 410 If Purmo Group (UK) Ltd complies with clause 4.9 it will (subject to clause 8.2) have no further liability (in contract, tort or delict (including but not limited to negligence) or otherwise) for such shortages or non delivery.
- 411 Whilst Purmo Group (UK) Ltd will use reasonable endeavours to supply the exact quantity of the Works ordered by the Customer all quantities are approximate only and Purmo Group (UK) Ltd may supply and the Customer will accept more or less than the exact quantity ordered where such variance is within reasonable limits. A pro rata charge or allowance at the Contract price will be made to cover any such variation.
- 412 The Customer (at its own expense) will ensure that the place where delivery of the Goods or performance of the Services is to take place is adequate and appropriate for such delivery or performance and will provide such access, assistance, equipment, facilities, protection, manual labour and information as may be required to enable Purmo Group (UK) Ltd to perform its obligations under this Contract and any relevant statutory obligations.
5. RISK AND OWNERSHIP
- 51 Unless otherwise agreed in writing the Goods are at the risk of the Customer from the time of delivery or deemed delivery of such Goods to the Customer (as appropriate) or payment of the price for such Goods in accordance with these Conditions (whichever is the sooner) and loading (under clause 4.4) and off loading (under clause 4.3) will be at the Customer's risk.
- 52 Notwithstanding that risk in the Goods will pass to the Customer in accordance with the provisions of clause 5.1 ownership of the Goods (both legal and equitable) will remain with Purmo Group (UK) Ltd (unless ownership is properly vested in some other person by the operation of any statute) until Purmo Group (UK) Ltd has received in full (in cash or cleared funds):
  - (a) all sums due in respect of the Goods; and
  - (b) all other sums which are or which become due to Purmo Group (UK) Ltd from the Customer on any account.
- 53 Until ownership of the Goods has passed to the Customer under clause 5.2, the Customer will:
  - (a) hold the Goods on a fiduciary basis as Purmo Group (UK) Ltd's bailee and trustee;
  - (b) keep the Goods free from any charge, lien or other encumbrance;
  - (c) store the Goods (at no cost to Purmo Group (UK) Ltd) separately from all other goods or materials of the Customer or any third party in such a way that they remain readily identifiable as Purmo Group (UK) Ltd's property and easily accessible to Purmo Group (UK) Ltd;
  - (d) allow Purmo Group (UK) Ltd access at any reasonable time to enable Purmo Group (UK) Ltd to verify that the Customer has complied with its obligations under clause 5.3(c) above;
  - (e) not destroy, deface or obscure any identifying mark on the Goods or their packaging;
  - (f) maintain the Goods in a satisfactory condition, insured on Purmo Group (UK) Ltd's behalf for their full price against all usual risks to the reasonable satisfaction of Purmo Group (UK) Ltd and on request produce such policy of insurance to Purmo Group (UK) Ltd;
  - (g) hold all proceeds of the insurance referred to in clause 5.3(f) on trust for Purmo Group (UK) Ltd and not mix it with any other money or pay the proceeds into any overdrawn bank account; and
  - (h) not incorporate, attach or annex the Goods to any real property without Purmo Group (UK) Ltd's prior written consent.
- 54 The Customer may resell, use or otherwise dispose of the Goods before ownership has passed to it only if any such sale, use or disposition:
  - (a) will be effected in the ordinary course of the Customer's business in an arms length transaction; and
  - (b) will be a sale, use or disposition on the Customer's own behalf and the Customer will deal as principal when making such sale, use or disposition.
- 55 Once payment becomes overdue, Purmo Group (UK) Ltd may while the owner of the Goods (without prejudice to its other rights) demand the immediate return of the Goods at any time and the Customer must comply with (and bear the cost of) such demand immediately. If the Customer fails to return such Goods, Purmo Group (UK) Ltd or its successors in title, and their respective employees and agents, may enter the Customer's premises (with or without vehicles) to remove the Goods (the cost of which shall be borne by the Customer) and/or may sell or otherwise deal with the Goods.

# Purmo Group (UK) Ltd - Conditions of Sale (For Goods and Service)

(continued)

- 56 Purmo Group (UK) Ltd will be entitled to recover payment for the Goods notwithstanding that ownership of any of the Goods has not passed from Purmo Group (UK) Ltd.
- 57 The Goods will be deemed sold or used in the sequence delivered to the Customer.
- 58 Each clause and sub clause in the clause 5 is separate, distinct and severable from the others.
6. PRICE AND PAYMENT
- 61 Where the Works are sold by reference to Purmo Group (UK) Ltd's published price list, the price payable for the Works will be the price as published in the price list current at the date of delivery of the Works.
- 62 Where the Works are not sold by reference to Purmo Group (UK) Ltd's published price list the price stated in the Contract is based on the cost to Purmo Group (UK) Ltd of goods, materials, fuel, power, transport, taxes, duties, services, labour and all other costs at the date of Purmo Group (UK) Ltd's quotation or acknowledgement of order (whichever is earlier). If at the date of delivery or deemed delivery of the Works there has been any increase in all or any of such costs, the price payable for the Works may be increased by Purmo Group (UK) Ltd accordingly.
- 63 Quotations given in a currency other than sterling are based on the rate of exchange at the time of quoting and (unless otherwise agreed in writing between the parties) the price may be subject to revision if any different rate of exchange is ruling at the date of invoice.
- 64 Unless otherwise agreed in writing the price for the Works is exclusive of any value added tax (and any other tax or duty relating to the manufacture, transportation, sale or delivery of the Works) and any costs or charges in relation to export and/or import. Such costs and expenses will be paid by the Customer when it is due to pay for the Works. Purmo Group (UK) Ltd reserves the right to charge separately for carriage in addition to its normal delivery arrangements.
- 65 Where Purmo Group (UK) Ltd agrees (at its discretion) to bring forward the date of delivery of the Works at the Customer's request any overtime or other additional costs reasonably incurred by Purmo Group (UK) Ltd will be charged to the Customer in addition to the Contract price.
- 66 Unless otherwise agreed in writing, Purmo Group (UK) Ltd may invoice the Customer for the Works at any time after the delivery or deemed delivery of the Works or the delivery or deemed delivery of any instalment (as appropriate). If any delivery is postponed at the request or by the default of the Customer then Purmo Group (UK) Ltd may submit its invoice at any time after the Works are ready for delivery or would have been ready in the ordinary course but for the request or default on the part of the Customer.
- 67 Customers who have been granted by Purmo Group (UK) Ltd (at its sole discretion) a credit account facility will (unless otherwise agreed in writing) pay the price by the end of the month following the date of Purmo Group (UK) Ltd's invoice. Purmo Group (UK) Ltd may (in its sole discretion) amend the terms of or withdraw such credit account facility at any time without notice with immediate effect and on such withdrawal all amounts due or accruing to Purmo Group (UK) Ltd under the Contract will become immediately payable despite any other provision of these Conditions.
- 68 Where Purmo Group (UK) Ltd grants a credit account facility under clause 6.7 Purmo Group (UK) Ltd may in its absolute discretion (from time to time) set or vary any existing credit limit in relation to such credit account without notice.
- 69 Where the Customer has placed a purchaser order which exceeds the current credit limit determined in accordance with clause 6.8 (even where Purmo Group (UK) Ltd has accepted such purchase order in accordance with these Conditions) Purmo Group (UK) Ltd may without any liability to the Customer defer or suspend delivery of any Works of any instalment or deliver a quantity less than that ordered until payment has been received from the Customer which brings the whole of the Customer's current orders within such credit limit.
- 610 Customers who have not been granted a credit account facility will (unless otherwise agreed in writing) pay the price prior to delivery of the Works.
- 611 No payment will be deemed to have been received until Purmo Group (UK) Ltd has received cleared funds.
- 612 Time for payment will be of the essence of the Contract.
- 613 All payments payable to Purmo Group (UK) Ltd under the Contract will become due immediately on termination of this Contract notwithstanding any other provision of these Conditions.
- 614 The Customer will make all payments due under the Contract without any deduction whether by way of set-off, counterclaim, discount, abatement or otherwise unless the Customer has a valid court order requiring an amount equal to such deduction to be paid by Purmo Group (UK) Ltd to the Customer.
- 615 Purmo Group (UK) Ltd may (but will not be obliged) at any time or times without notice to the Customer set off any liability of the Customer to Purmo Group (UK) Ltd against any liability of Purmo Group (UK) Ltd to the Customer (in either case howsoever arising and whether such liability is present, future, liquidated or unliquidated). Any exercise by Purmo Group (UK) Ltd of its rights under this Contract will be without prejudice to any other rights or remedies available to Purmo Group (UK) Ltd under this Contract or otherwise.
- 616 If the Customer delays or fails to pay Purmo Group (UK) Ltd any sum due pursuant to the Contract the Customer will be liable to pay interest to Purmo Group (UK) Ltd on such sum from the due date for payment at an annual rate of 3% above the base lending rate of Barclays Bank Plc from time to time accruing on a daily basis until payment is made in full (whether before or after any judgement). Purmo Group (UK) Ltd reserves the right to claim interest under the Late Payment of Commercial Debts (Interest) Act 1998.
- 617 Without prejudice to the provision of clause 6.16 if the Customer delays or fails or Purmo Group (UK) Ltd reasonably believes that the Customer will delay or fail to pay for the Works or any other work under any other contract when due Purmo Group (UK) Ltd may:
- (a) demand payment of all outstanding balances whether due or not under this Contract or any other contract between the Customer and Purmo Group (UK) Ltd;
  - (b) treat the Contract or any other contract between the Customer and Purmo Group (UK) Ltd as repudiated by the Customer;
  - © suspend any future performance by Purmo Group (UK) Ltd of the Contract or any other contract between the Customer and Purmo Group (UK) Ltd until all overdue sums have been paid; and/or
  - (d) appropriate any payments made by the Customer to such of the Works (or such works supplied under any other contract between the Customer and Purmo Group (UK) Ltd) as Purmo Group (UK) Ltd may think fit (notwithstanding any purported appropriation by the Customer).
- 618 The Customer will indemnify Purmo Group (UK) Ltd against all costs and expenses (including but not limited to legal and other debt collection expenses) incurred by Purmo Group (UK) Ltd in recovering and/or attempting to recover any amounts due to Purmo Group (UK) Ltd from the Customer under these Conditions.
7. QUALITY
- 71 Where Purmo Group (UK) Ltd is not the manufacturer of the Goods or the performer of the Services Purmo Group (UK) Ltd will use all reasonable endeavours to transfer to the Customer the benefit of any warranty or guarantee given to Purmo Group (UK) Ltd by such manufacturer or service performer.
- 72 Where Purmo Group (UK) Ltd is the manufacturer of the Goods or the performer of the Services Purmo Group (UK) Ltd warrants (subject to the provisions of this clause 7) that:
- (a) on delivery of the Goods and for the relevant Warranty Period the Goods will:
    - (i) be of satisfactory quality, within the meaning of the Sale of Goods Act 1979 (as amended); and
    - (ii) be reasonably fit for any particular purpose for which the Works are commonly supplied or are being bought (if the Customer has made known that purpose to Purmo Group (UK) Ltd in writing and Purmo Group (UK) Ltd has confirmed in writing that it is reasonable for the Customer to rely on the skill and judgement of Purmo Group (UK) Ltd); and
  - (b) the Services will be performed with reasonable skill and care by properly qualified and experienced persons.
- 73 The Warranty Period means:
- (a) Radiators (all steel panel): 10 years from date of purchase\*.
  - (b) Design Radiators: 10 years from date of purchase.
  - © Radiators (ULOW-E2): 2 years from date of purchase.
  - (d) Fan Convectors: 2 years from date of purchase.
  - (e) Radiator Valves: 2 years from date of purchase.
  - (f) Hydronic Underfloor Heating: 10 years for the pipe from date of purchase. 2 years on controls and 12 months on the UFH pump from date of purchase.
  - (g) Electric Underfloor Heating: 10 years from date of purchase (except programmer and sensor which is 2 years).
  - (h) Electrical Radiators: 2 years from date of purchase.
  - (i) Towel Warmers: Hydronic: 5 to 10 years from date of purchase depending on product type.
  - (j) Towel Warmers: Electric: 2 years from date of purchase.
  - (k) Controls: 2 years from date of purchase.
- \*Any panel radiator installed in high humidity areas (such as bathrooms etc.) are subjected to a 12 month Warranty only.
- 74 Purmo Group (UK) Ltd will not be liable for any breach of any of the warranties in clause 7.2 unless:
- (a) the Customer gives written notice of the defect to Purmo Group (UK) Ltd within 28 days of the date when the Customer discovers or ought reasonably to have discovered the defect;
  - (b) if the defect is as a result of damage in transit the Customer gives written notice of the defect to the carrier in the manner and within the appropriate time limit as set out in the carriers terms of business or as stipulated on Purmo Group (UK) Ltd's delivery paperwork; and
  - © Purmo Group (UK) Ltd is given a reasonable opportunity after receiving such notice to examine such Works and the Customer (if reasonably requested to do so by Purmo Group (UK) Ltd) returns such Works to Purmo Group (UK) Ltd's place of business (at the Customer's cost) for the examination to take place there.
- 75 Purmo Group (UK) Ltd will not be liable for a breach of any of the warranties in clause 7.2 where and to the extent that:
- (a) the defect arises from the Customer's Property or as a result of the Customer's negligence;
  - (b) the defect arises as a result of fair wear and tear, accident, misuse, misservice, wilful damage, neglect, or abnormal or incorrect working conditions after delivery;
  - © the defect arises as a result of any changes or modifications made to the Goods not made by Purmo Group (UK) Ltd (including but not limited to bending or curving of the Goods);
  - (d) the defect arises as a result of any parts, materials or equipment not manufactured or workmanship not performed by Purmo Group (UK) Ltd;
  - (e) the Customer makes any further use of such Works after giving written notice of the defect;
  - (f) the defect arises because of any failure to follow Purmo Group (UK) Ltd's instructions (whether oral or in writing) as to the storage, assembly, installation, commissioning, use, processing, handling or maintenance of the Works or (if there are none) good trade practice;
  - (g) the defect arises as a result of any installation, testing or commissioning of the Works not performed by Purmo Group (UK) Ltd or its sub-contractor;
  - (h) the defect arises as a result of any alteration, servicing or repair of the Works not made by Purmo Group (UK) Ltd and without the written consent of Purmo Group (UK) Ltd; or
  - (i) the Contract states that the Works are sold in their actual state without warranty.
- 76 (Subject to clauses 74 and 75) if any of the Works do not conform with any of the warranties set out in clause 7.2 Purmo Group (UK) Ltd will at its option and cost repair or replace such Goods (or the defective part), reperform such Services or refund the price of such Works at the pro rata Contract rate.
- 77 If Purmo Group (UK) Ltd complies with clause 76 it will (subject to clause 8.2) have no further liability (in contract, tort or delict (including but not limited to negligence) or otherwise) for breach of any of the warranties in clause 7.2 in respect of such Works.
- 78 Any Goods replaced by Purmo Group (UK) Ltd in accordance with the provisions of clause 76 will belong to Purmo Group (UK) Ltd and any repaired or replacement Goods will be guaranteed on these terms for the unexpired portion of the relevant Warranty Period.
- 79 Where and to the extent that Purmo Group (UK) Ltd can show upon examination of the Works that there is no breach of any of the warranties set out in clause 7.2 the Customer will:
- (a) reimburse to Purmo Group (UK) Ltd all Purmo Group (UK) Ltd's reasonable costs and expenses associated with such examination; and
  - (b) if appropriate, recollect (at the Customer's own risk and expense) such Works within 28 days from the date of Purmo Group (UK) Ltd's notice that such Works are not in breach of such warranties.
- 710 Where Purmo Group (UK) Ltd has refunded or credited to the Customer's credit account the price of any Works returned by the Customer, title to such Works will pass to Purmo Group (UK) Ltd which may in its absolute discretion dispose of such Works.
- 711 The Customer will keep Purmo Group (UK) Ltd indemnified in full against all liability, loss, damage, injury, cost, claim, expense or proceeding incurred or suffered by Purmo Group (UK) Ltd as a result of or in connection with any claim brought against Purmo Group (UK) Ltd arising as a direct or indirect consequence of:
- (a) the Customer's failure to pass to and in a proper and reasonable manner drawing to the attention of all persons using or proposing to use the Goods (including but not limited to any purchaser of the Goods from the Customer or any subcontractor of the Customer) all information and instructions relating to and warnings in respect of the Goods as supplied by Purmo Group (UK) Ltd; and
  - (b) the use of the Works with any other incompatible or defective equipment, goods or systems (including but not limited to heating systems).
8. LIMITATION OF LIABILITY
- THE PRICES CHARGED FOR THE WORKS ARE BASED STRICTLY ON THE UNDERSTANDING OF ACCEPTANCE BY THE CUSTOMER OF THE PROVISIONS IN THE CONTRACT FOR THE LIMITATION OF PURMO GROUP (UK) LTD'S LIABILITY. SHOULD THE CUSTOMER REQUIRE PURMO GROUP (UK) LTD TO ACCEPT ADDITIONAL LIABILITY THIS MAY BE DISCUSSED BETWEEN THE PARTIES AND THE PRICE INCREASED ACCORDINGLY.

# Purmo Group (UK) Ltd - Conditions of Sale (For Goods and Service)

(continued)

- 8.1 All warranties, conditions and other terms implied by statute or common law (except for the conditions implied by section 12 of the Sale of Goods Act 1979) are, to the fullest extent permitted by law, excluded from the Contract.
- 8.2 Nothing in these Conditions excludes or limits the liability of Purmo Group (UK) Ltd for fraudulent misrepresentation or for any death or personal injury caused by Purmo Group (UK) Ltd's negligence.
- 8.3 (Subject to clause 8.1, 8.2 and 9.2) Purmo Group (UK) Ltd will not be liable to the Customer in contract, tort, or delict (including but not limited to negligence), misrepresentation or otherwise for any:
- (a) economic loss of any kind (including but not limited to loss of use, profit, anticipated profit, business, contracts, overhead recovery, machining costs, revenue or anticipated savings);
  - (b) any damage to the Customer's reputation or goodwill;
  - (c) any product recall or business interruption costs; or
  - (d) any other special, indirect or consequential loss or damage (even if Purmo Group (UK) Ltd has been advised of such loss or damage) arising out of or in connection with the Contract.
- 8.4 (Subject to the provisions of clause 8.1, 8.2, 8.3 and 9.2) Purmo Group (UK) Ltd's total liability in contract, tort or delict (including but not limited to negligence), misrepresentation or otherwise arising out of or in connection with this Contract will be limited to the amount received by Purmo Group (UK) Ltd for the claim under its insurance policy covering such risks (provided that nothing in these Conditions will oblige Purmo Group (UK) Ltd to obtain any insurance or claim upon any insurance which it holds) or £1 million (whichever is the greater). The Customer acknowledges that delay in notifying any claim may prevent Purmo Group (UK) Ltd recovering any money under such policy.
- 8.5 The provisions of this clause 8 shall survive the termination or expiry (for whatever reason) of this Contract.
9. THE CUSTOMER'S PROPERTY
- 9.1 While Purmo Group (UK) Ltd will take reasonable care of the Customer's Property whilst it is in Purmo Group (UK) Ltd's possession, control or custody the Customer's Property will (unless otherwise agreed in writing) remain at the Customer's risk and all replacements and alterations of and repairs to the Customer's Property will be the Customer's responsibility.
- 9.2 Purmo Group (UK) Ltd will not be liable for any loss or damage to the Customer's Property unless such loss or damage arises as a direct result of Purmo Group (UK) Ltd's negligence. Where Purmo Group (UK) Ltd is liable under this clause 9.2 Purmo Group (UK) Ltd's liability to the Customer will be limited to the actual cost of the replacement or repair of the loss or damage to the Customer's Property.
- 9.3 The Customer will ensure that the Customer's Property is accurate, adequate and suitable for use by Purmo Group (UK) Ltd in the performance of the Contract and in good condition. While Purmo Group (UK) Ltd will use reasonable endeavours to verify any relevant aspects of the Customer's Property no responsibility is accepted by Purmo Group (UK) Ltd for its accuracy, adequacy, suitability or condition.
- 9.4 Any defect in the Works which is due in whole or in part to the Customer's Property will not entitle the Customer to terminate the Contract, reject the Works, make any deductions from the Contract price or claim damages in respect of such defect.
- 9.5 The Customer will keep Purmo Group (UK) Ltd indemnified in full against all liability, loss, damage, injury, claim, action, demand, expense or proceeding awarded against or incurred by Purmo Group (UK) Ltd as a result of or in connection with the use by Purmo Group (UK) Ltd of the Customer's Property.
- 9.6 Customers Property will for the purposes of clauses 9.1 and 9.2 of these Conditions only also include any Goods which the Customer has paid for in advance of delivery.
10. PALLETS AND SKIDS
- Unless otherwise stated pallets and skids will not be charged extra but if not returned to Purmo Group (UK) Ltd's place of business (carriage paid) in good condition, within 3 weeks of receipt by the Customer Purmo Group (UK) Ltd will be entitled to charge the Customer for such pallets and skids.
11. CONFIDENTIALITY
- 11.1 The Customer will keep confidential all technical data, commercial information, know-how, specifications, inventions, processes, initiatives and other information which is of a confidential nature and which has been disclosed to the Customer by Purmo Group (UK) Ltd or its agents and any other confidential information concerning Purmo Group (UK) Ltd's business or its products which the Customer may obtain ("Confidential Information").
- 11.2 The Customer will restrict disclosure of the Confidential Information to such of its employees, agents or subcontractors as need to know the same and will ensure that such employees, agents or subcontractors are subject to equivalent obligations of confidentiality as bind the Customer.
- 11.3 The Customer will not without the prior written consent of Purmo Group (UK) Ltd publish or disclose the Confidential Information to any third party or make any use of the Confidential Information except to the extent necessary to implement the Contract.
12. IPR
- 12.1 The Customer will keep Purmo Group (UK) Ltd indemnified in full against all liability, loss, damage, injury, claim, action, demand, expense or proceeding in respect of any infringement or alleged infringement of any IPR resulting from any use by Purmo Group (UK) Ltd of any Customers Property or any compliance by Purmo Group (UK) Ltd with the Customer's instructions, whether express or implied.
- 12.2 Purmo Group (UK) Ltd reserves the right to cease any Work where it becomes aware that such Work (as a result of any use by Purmo Group (UK) Ltd of any Customer's Property or compliance by Purmo Group (UK) Ltd with the Customer's instructions) infringes or may infringe the IPR of any third party.
- 12.3 Purmo Group (UK) Ltd will have no liability to deliver any Work which (as a result of any use by Purmo Group (UK) Ltd of any Customers Property or compliance by Purmo Group (UK) Ltd with the Customer's instructions) infringes or may infringe the IPR of any third party.
- 12.4 Without prejudice to any other rights Purmo Group (UK) Ltd may have, Purmo Group (UK) Ltd will be entitled to claim prompt reimbursement by the Customer upon submission of Purmo Group (UK) Ltd's invoice for all work undertaken and for all costs and expenses incurred up to the date of cessation of the Work under clause 14.2.
- 12.5 Unless otherwise agreed in writing ownership in all IPR subsisting in, resulting from or relating to the Works, or any associated instructions, plans, illustrations, descriptions, blue prints, designs, technical information, drawings, sketches, documents or specifications (except where these relate solely to the Customer's Property) will vest in or be assigned to Purmo Group (UK) Ltd. If the Customer in any way acquires any such rights it will promptly inform Purmo Group (UK) Ltd and take such steps as Purmo Group (UK) Ltd may reasonably require to assign such rights or vest such title in Purmo Group (UK) Ltd.
- 12.6 Provided that the Customer is not in default of any payment obligations under the Contract Purmo Group (UK) Ltd grants to the a Customer a non-exclusive, royalty free licence to use such IPR as may be owned by Purmo Group (UK) Ltd in accordance with clause 12.5 for the purpose of selecting the appropriate Works.
- 12.7 Whilst Purmo Group (UK) Ltd has used its reasonable endeavours to ensure that Works manufactured or performed by Purmo Group (UK) Ltd do not infringe any third party intellectual property rights nothing in these Conditions will be construed as any representation or warranty by Purmo Group (UK) Ltd that the design, manufacture, use or sale of the Works is not an infringement of any third party intellectual property rights.
13. TERMINATION
- 13.1 Purmo Group (UK) Ltd may terminate the Contract immediately if:
- (a) the Customer fails to pay the price on the due date;
  - (b) the Customer is in breach of any term of the Contract (other than the obligation to pay the price) and has failed to remedy such breach within 28 days of receipt of written notice specifying the breach and requiring it to be remedied;
  - (c) there is a material change in the ownership or control of the Customer; or
  - (d) the Customer is wound up or becomes insolvent or has a receiver or administrative receiver appointed or suffers the appointment or the presentation of a petition for the appointment of an administration or any equivalent or analogous event occurs in any other jurisdiction.
- 13.2 The termination of the Contract (howsoever arising) will be without prejudice to any rights and remedies which may have accrued to either party.
- 13.3 Any Conditions which impliedly have effect after termination or expiry will continue to be enforceable notwithstanding termination or expiry.
14. EXPORT SALES
- 14.1 Where the Works are supplied for export from the United Kingdom the provisions of this clause 14 will (subject to any special terms agreed in writing between the parties) apply despite any other provision of these Conditions.
- 14.2 The Uniform Laws on International Sales Act 1967 will not apply.
- 14.3 Unless otherwise agreed in writing the currency will be pounds sterling. The Customer will establish and maintain in favour of Purmo Group (UK) Ltd an irrevocable and confirmed letter of credit in English with a UK clearing bank payable on drafts drawn at sight on presentation to the bank by Purmo Group (UK) Ltd of a certified copy of Purmo Group (UK) Ltd's invoice. All bank charges and other expenses in relation to the letter of credit will be borne by the Customer.
- 14.4 Unless otherwise agreed in writing Works will be sold C.I.F (as defined in INCOTERMS 2010 Edition).
- 14.5 The Customer will be responsible for complying with any legislation or regulation governing the export of the Works from the United Kingdom and the importation of the Works into the country of destination and for payment of any relevant duties or taxes.
15. LIEN
- Purmo Group (UK) Ltd will have in respect of unpaid debts due to it from the Customer a general lien on all property of the Customer which is in Purmo Group (UK) Ltd's possession for whatever reason and whether worked upon or not.
16. FORCE MAJEURE
- Purmo Group (UK) Ltd will not be liable to the Customer or be deemed to be in breach of these Conditions by reason of any delay in performing or failure to perform any of its obligations under these Conditions if such delay or failure was beyond the Purmo Group (UK) Ltd's reasonable control. If Purmo Group (UK) Ltd is unable to perform its obligations under these Conditions in accordance with this clause 16 it will promptly notify the Customer of the nature and extent of the circumstances in question.
17. ASSIGNMENT AND SUBCONTRACTING
- 17.1 The Customer will not without the prior written consent of Purmo Group (UK) Ltd assign or transfer the Contract or any part of it to any other person.
- 17.2 Purmo Group (UK) Ltd may without the prior written consent of the Customer assign, transfer or subcontract the Contract or any part of it to any other person.
18. GENERAL
- 18.1 Each right or remedy of Purmo Group (UK) Ltd under these Conditions is without prejudice to any other right or remedy which Purmo Group (UK) Ltd may have under these Conditions or otherwise.
- 18.2 Any notice or other document to be served under the Contract must be in writing and may be delivered or sent by prepaid first class post or facsimile transmission to the recipient's registered office.
- 18.3 Any notice or document shall be deemed served, if delivered at the time of delivery, if posted, 48 hours after posting and if sent by facsimile transmission, at the time of transmission.
- 18.4 If any provision of the Contract is found by any court, tribunal or administrative body of competent jurisdiction to be wholly or partly illegal, invalid, void, unenforceable or unreasonable it will, to the extent of such illegality, invalidity, voidness, unenforceability or unreasonableness, be deemed severable and the remaining provisions of the Contract and the remainder of such provision shall continue in full force and effect.
- 18.5 Failure or delay by either party in exercising any right or remedy provided by the Contract or by law will not be construed as a waiver of such right or remedy or a waiver of any other right or remedy.
- 18.6 Any waiver by either party of any breach of, or any default under, any provision of the Contract by the other party will not be deemed a waiver of any subsequent breach or default and will in no way affect the other terms of the Contract.
- 18.7 A person who is not a party to the Contract will have no right under the Contracts (Rights of Third Parties) Act 1999 or any other rule of law to enforce any term of the Contract. This clause 18.7 does not affect any right or remedy of any person which exists or is available otherwise than pursuant to that Act.
- 18.8 The Customer agrees that it will have no remedy in respect of any untrue statement innocently or negligently made by or on behalf of Purmo Group (UK) w prior to the Contract upon which the Customer relied in entering into the Contract whether such statement was made orally or in writing.
- 18.9 The Contract will be governed by English law and the parties submit to the exclusive jurisdiction of the English courts.

10/19







**EMMETI UK**

6 Tannery Yard  
Witney Street  
Burford  
Oxfordshire  
OX18 4DQ  
T: +44 (0) 1993 824900  
F: +44 (0) 1993 824990  
E: sales@emmeti.co.uk  
www.emmeti.co.uk

Every care has been taken in the creation of this document.  
No part of this document may be reproduced or disseminated without EMMETI UK express written consent.  
The data contained in this publication may, for a found technical and / or commercial need, undergo changes at any time and without notice.  
Therefore EMMETI UK is not responsible for any errors or inaccuracies contained therein.

