

VAL2 HNK C CD

VALUE Tap Range Lever High Neck Pillar Taps Chrome With Ceramic Disc Valves



Features:

- Long life and easy to use 1/4 turn ceramic disc valves
- Metal back nuts for added durability
- Supplied with 3" (76mm) metal lever handles

Product Certifications:



WRAS Certificate No: 1905900
WRAS Expiry Date: 31/05/2024



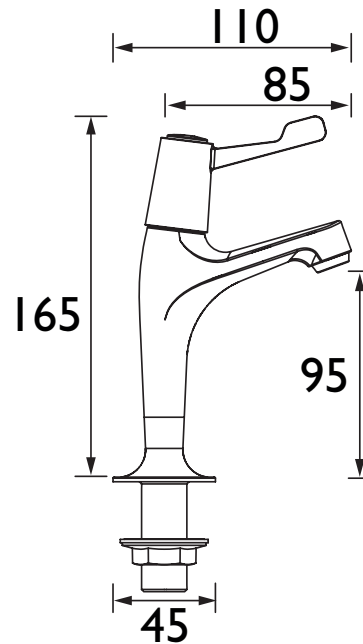
For more products, visit our website:
<http://www.bristan.com>



Specification

Product Type:	Kitchen Taps
Main Construction Material:	Brass
Mount Type:	Deck Mounted
Handle Type:	Lever Handles
Connection Inlet:	1/2" BSP
Connection Outlet:	Flow Straightener
Number of Tap Holes:	2
Valve/Cartridge Type:	1/2" Ceramic Disc Valve - 1/4 Turn
Plumbing System Requirements:	Suitable for all plumbing systems
Minimum Dynamic Pressure:	0.2 bar
Maximum Dynamic Pressure:	5.0 bar
Maximum Hot Water Temperature: °C	65
Maximum Static Pressure: (bar)	10 bar
Flow Type:	Single Flow
Isolation Included:	No
Check Valve Supplied:	No

Dimensions (measurements in mm)



Flow Rates (l/min)

System Pressure (bar)	0.2	0.5	1	2	3	5
Hot	7.9	13.1	18.7	27.1	33.0	42.9
Cold	7.6	13.0	18.7	27.2	33.1	42.5

TECHNICAL DATA SHEET



BRISTAN

D3