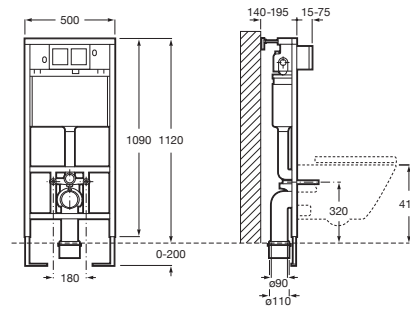


**IN-WALL**

**DUPLO WC with AG valve (110mm cistern)  
concealed cistern and frame for wall-hung WCs**



**TECHNICAL DRAWINGS**



**FEATURES**

- Dynamic pressure range: 0,1 - 10 Bar
- Elbow connection: DN100 (110 mm), DN90 (90 mm)
- Flushing type preset: Dual flush 3/6 litres
- Minimum fixation depth (mm): 140
- Operating panel position: Frontal
- Suitable for: Wall-hung WC
- Tank depth (mm): 125
- Water inlet position: Back, Top

COMPATIBLE WITH



EP2 - Electronic glass finished operating plate for concealed cistern with automatic or touchless dual flush and adjustable light in multiple colour choice

890102009



EP1 - Electronic glass finished operating plate for concealed cistern with automatic or touchless dual flush and adjustable light in multiple colour choice

890102008



PL5 DUAL - Dual flush operating plate for concealed cistern

89009900.



PL4 DUAL - Dual flush operating plate for concealed cistern

89008900.



PL3 PRO DUAL - Vandal-proof stainless steel dual flush operating plate for concealed cistern

890097004



PL2 DUAL - Dual flush operating plate for concealed cistern

89009600.



PL1 DUAL - Dual flush operating plate for concealed cistern

89009500.



PL10 DUAL - Dual flush operating plate for concealed cistern with matt finishes

89008920.



PL10 DUAL - Dual flush operating plate for concealed cistern

89008900.



PL7 DUAL - Dual flush operating plate for concealed cistern

89008830.

## In-Wall

Systems that combine efficiency and technology, turning them into solutions that look after the design and adapt perfectly to the space concerned. Innovation and the avant-garde join forces to guarantee the best features, where convenience, saving and style are to be found in every detail.



### INSTALLATION AND USER MANUALS

[Installation manual](#)[Spare Parts Catalogue](#)