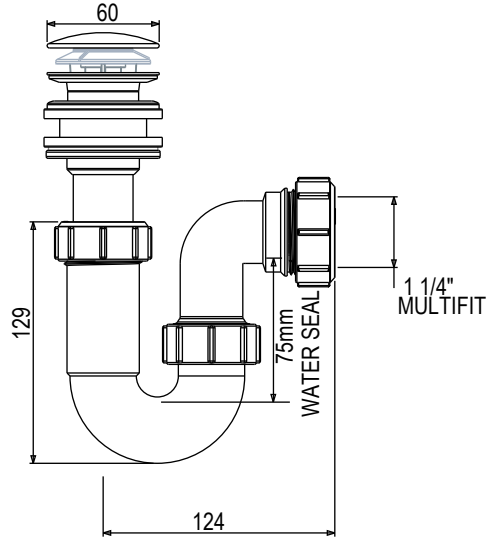


BK2

CENTRE PIN 60mm BASIN WASTE AND 1 1/4" P-TRAP ASSEMBLY

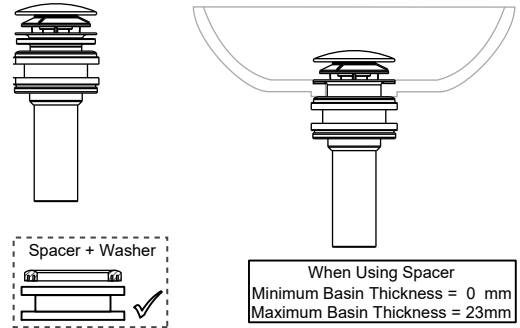
Installation and maintenance instructions



Installation instructions for CWP60-SSP: Spring loaded centre pin basin waste (Sub-assembly)

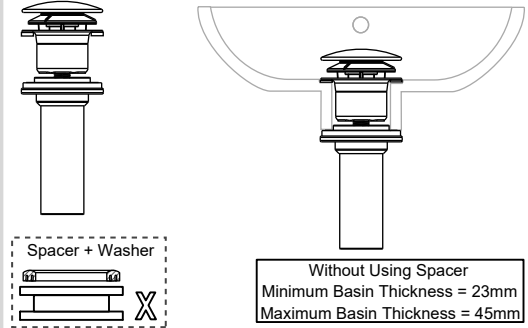
FIXING INSTRUCTIONS: DRY FIX. NO SEALANT-REQUIRED.

INSTALLATION WITH SPACER ON A WASH-HAND BASIN (WHB) WITHOUT OVERFLOW



- Place the Waste (3) with the white Washer (4) or apply **MACXSEAL** sealant into the waste hole in the WHB.
- Drop the Ferrule (2) through the centre of the Waste (3).
- Assemble the black washer (7) to the flange on the stalk (8), add the spacer (6) and then the silicon Washer (5).
- Position items 5,6,7,8 on the underside of the WHB at the waste outlet hole, and tighten (**No more than hand tight + 1/4 turn) the Ferrule (2) clockwise until the waste assembly is fixed to the WHB.
- Finally, assemble the spring loaded plug assembly (1) by pushing the stem of the plug into the centre-pin ferrule (2).

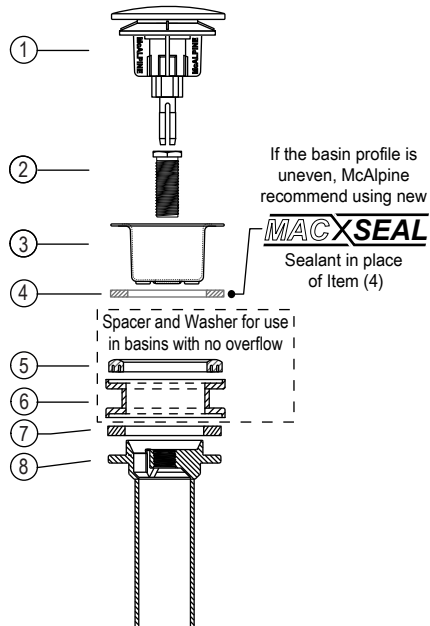
INSTALLATION ON A WASH-HAND BASIN (WHB) WITH OVERFLOW.



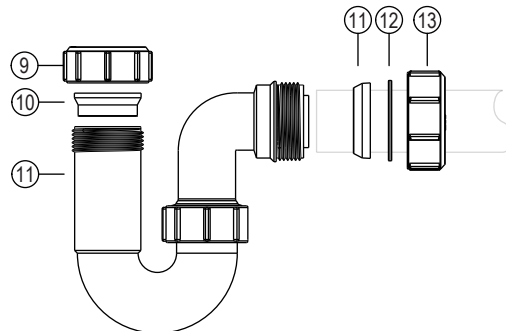
- Place the Waste (3) with the white Washer (4) or apply **MACXSEAL** sealant into the waste hole in the WHB.
- Drop the Ferrule (2) through the centre of the Waste (3).
- Assemble the black washer (7) to the flange on the stalk (8)
- Position items 7 and 8 on the underside of the WHB at the waste outlet hole, and tighten (**No more than hand tight + 1/4 turn) the Ferrule (2) clockwise until the waste assembly is fixed to the WHB.
- Finally, assemble the spring loaded plug assembly (1) by pushing the stem of the plug into the centre-pin ferrule (2).

Components

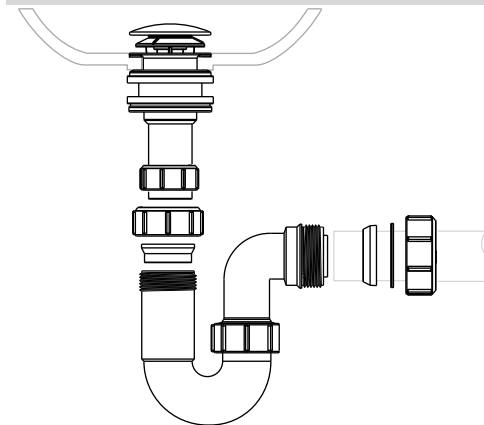
Waste & Plug assembly



P-Trap assembly

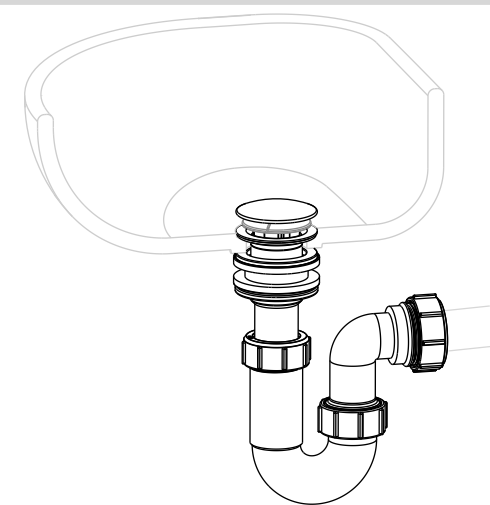


Installation instructions for P-Trap



- Remove Inlet Nut (9) and Blue seal (10) from the trap body and assemble onto the waste assembly outlet stalk (8).
- Assemble the Trap Body (10) onto the outlet stalk (8) push the seal (10) into the trap body then tighten the Inlet Nut (9) ****No more than hand tight + 1/4 turn.**
- Assemble the Outlet Nut (13), Backup Washer (12) and Outlet seal (11) onto the outlet pipe and push into the outlet of the Trap Body (10). Push the Outlet Seal (11) and Backup Washer (12) forward into the trap body outlet, then tighten outlet nut (13). ****No more than hand tight + 1/4 turn.**

Complete Installation



- Important** - Run water through completed installation, **Inspect all joints for leaks.**

Maintenance

Remove Plug Assembly (1) from waste, clean debris from waste. Flush water through trap periodically to clear debris from the trap body.