

Regency Tall LG013FW-BR 1500x500

Height: 1500

Width: 500

Depth: 250

Weight HO: 14.5 kg

EO: 24.5 kg

Tube ϕ : 31.8

Face-Face Connections: 343

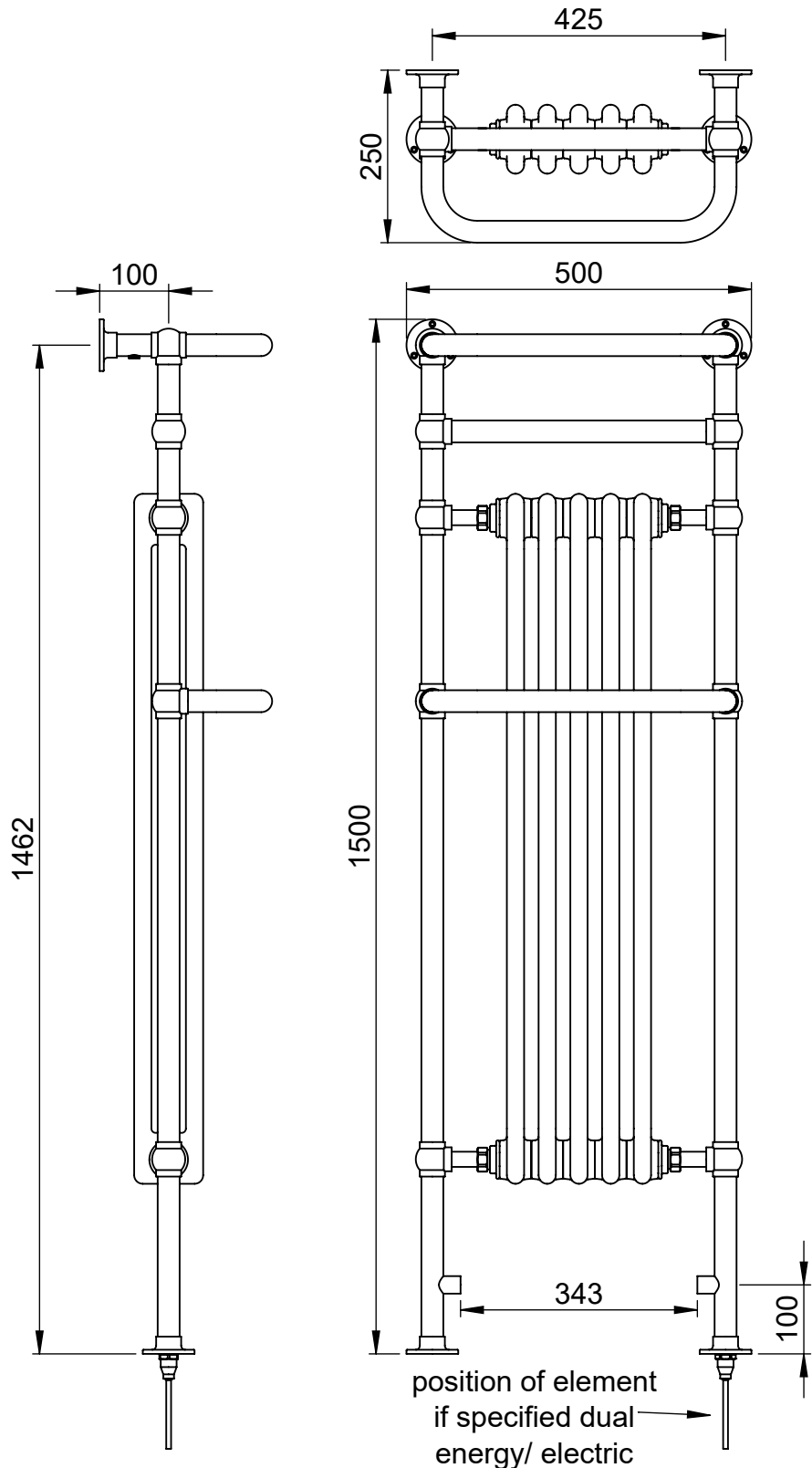
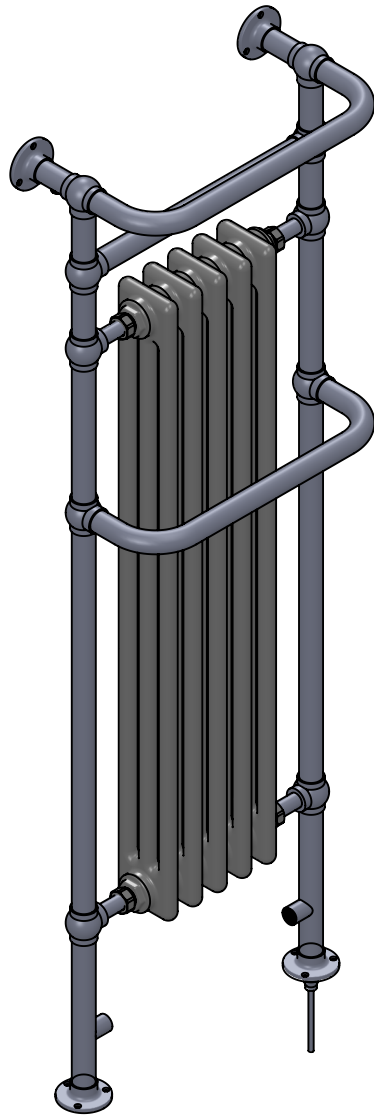
Elec. element if specified: 400

Output @ 50°C Δ T Watts: 738

BTUs: 2518

All dimensions in millimetres

Manufactured from ISO/CEN CuZn36As (BS CZ126) brass tube



Vogue UK Ltd. reserve the right to alter specifications without prior notice.
ALL MEASUREMENTS ARE NOMINAL DIMENSIONS ONLY, AND ARE NOT BINDING.



SCALE 1:10



VOGUE UK

TOWEL WARMERS & RADIATORS

Strawberry Lane, Willenhall
West Midlands WV13 3RS
Tel: 01902 387000 Fax: 01902 387001
e-mail: sales@vogueuk.co.uk www.vogueuk.co.uk